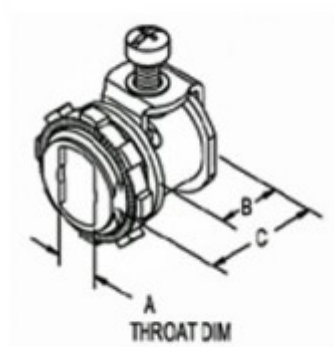


Strap Connector, Single Screw, Zinc Die Cast, Trade Size 3/8 Inch

Recommended cable types to connect MC & AC or 3/8 Inch flexible metal conduit to box or enclosure. 14/2 (.38" 0 min) to 10/3 (.61" 0 max)
AC/MC/MCI-A/HCF/HCFMCIA

[Download Photo](#)[Download Drawing](#)[Download Drawing](#)

Product details

Catalog Number:	570-DC2
UPC Number:	781747155702
Primary Materials:	Zinc Die Cast
Trade Size:	3/8"
Unit Quantity:	50
Standard Package Quantity:	500

Dimensions

Trade Size:	3/8"
Dimensions A:	3/8
Dimensions B:	5/8
Dimensions C:	1

Certifications & Codes

Federal Specification Number: A-A-50552

UL File Number: E20534

CSA File Number: LR39354

UNSPSC: 39121419

UL Standard: UL-514B

Country Of Manufacture: USA