



The **EL-2SQ Series** may be wall or ceiling mounted. Add the fact that the EL-2SQ Series is standard with 11 watts remote capacity, damp location listed installs in minutes and you have a very versatile job site solution for emergency lighting. Thermoplastic Emergency Lighting unit with adjustable lighting heads.

UL Listed

Complies with NEC, Life Safety Code and OSHA.

Damp location listing is standard in all models.

Sealed Maintenance Free Batteries

- Lead-Calcium



Standard Features

Reliability

- The EscortII EL-2SQ series has a three-year full warranty (excluding lamps and fuses).

Housing

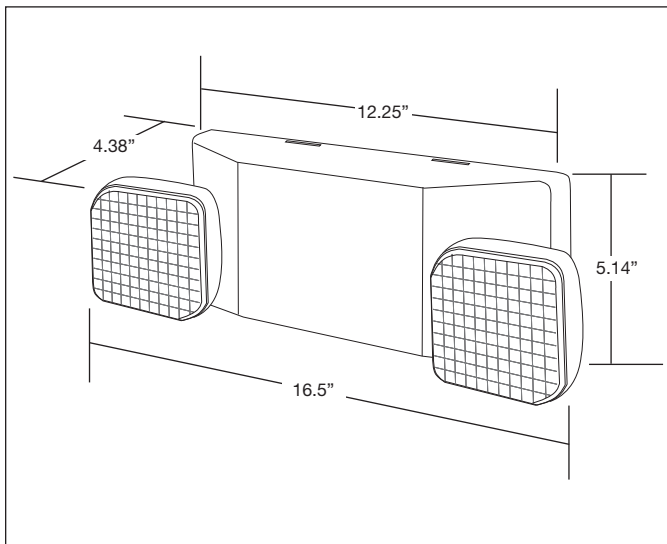
- Injection-molded UV stabilized thermoplastic housing and backplate
- UL 94, 5VA flame rating
- Innovative, snap-together design allows for fast installation
- Two fully adjustable glare-free light heads for egress light

Mounting

- Wall or ceiling
- Universal knock-out pattern on the backplate allows for junction-box mounting.

Outline and Dimensions

Dimensions are approximate and subject to change.



Electrical Features

Electrical

- 120/277VAC dual voltage operation
- LED indicator light and push button test switch
- Remote capacity - may power additional remote heads (up to 6V 11W).
- Low voltage battery disconnect
- All models are damp location listed

Lamps

- 2 x 6V 5.4 watts DC T5 wedge base lamps for emergency mode

Battery

- Sealed maintenance-free Lead-Calcium battery designed to power 11 watts remote load or extended unit run time.

Optional Features

Description	Add Suffix
Remote Capacity (in watts)*	R

Accessories (order as a separate item)

Replacement battery.....	860.0018-E
Replacement lamp (standard)	570.0012-E
Vandal shield	VRS.BB
Vandal shield (NEMA 4X).....	VRSBB.4X
Wire Guard (heads in any position).....	WG10-E

How To Order

EL	2SQ	R
Series	Light Heads	Capacity Indicator
Self-powered	Standard Lamp 6V 5.4W Incandescent	Blank = no remote capacity R = 11 watts remote capacity*

* Do not exceed rated unit capacity.