

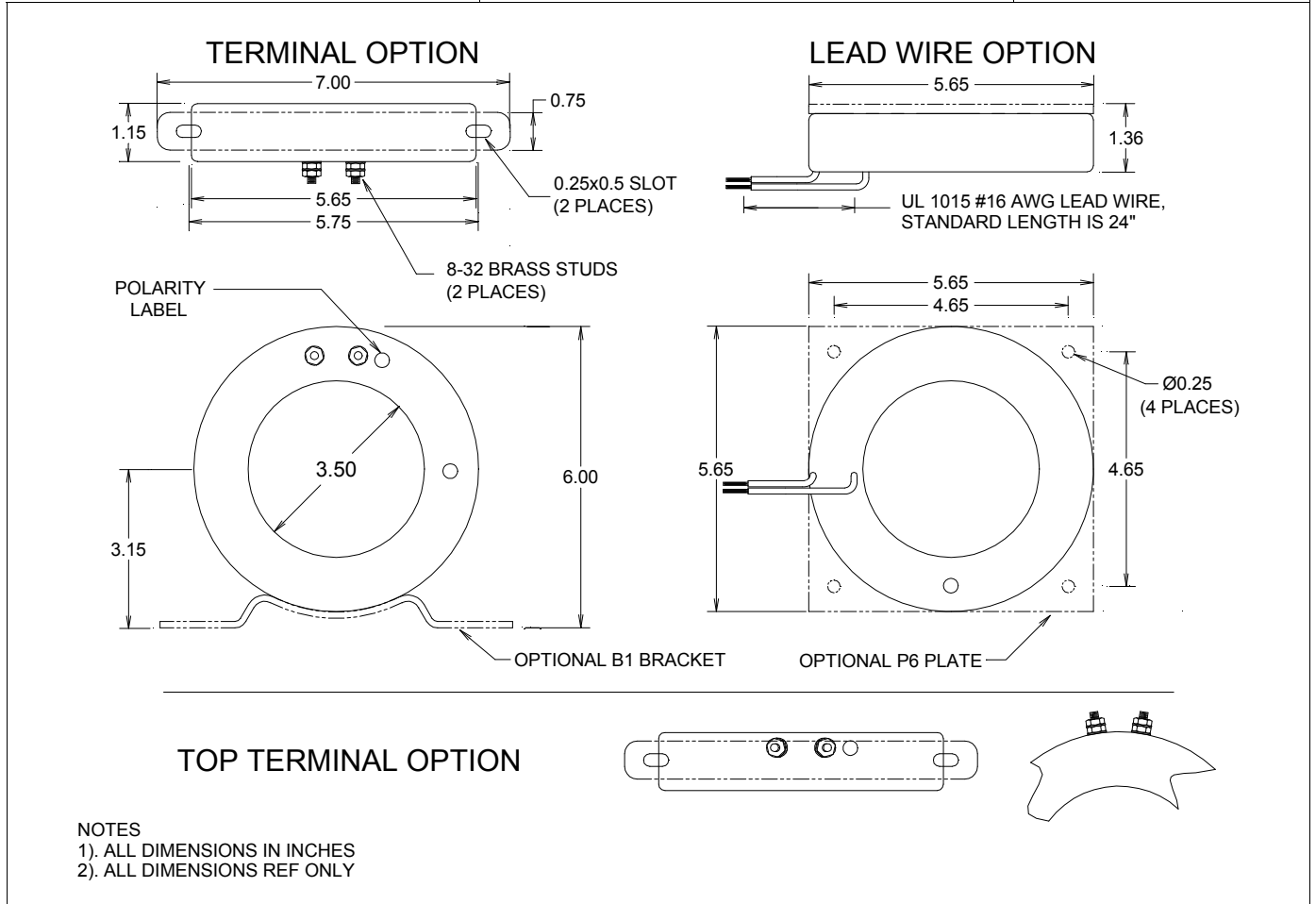
W.I.C.C. Ltd
 119 MULLER RD
 PO Box 252
 WASHINGTON IL 61571
 (309)-444-4125
 FAX (309)-444-3313

CURRENT TRANSFORMER MODEL MW

3.50" I.D.

PAGE No

REV 04/15/99



Specifications

- Secondary sources 5 amps AC at rated F.S. primary current
- Nominal operating frequency range is 50-400HZ
- Thermal rating factor is 1.33 @ 30C for ratios up to 2000:5A, 1.15 @ 30C for ratios of 2000:5A and above
- Insulation voltage class is 0.6KV BIL 10KV
- For indoor applications only
- Conforms to provisions of IEEE C57.13 and IEC 44-1
- Enclosure is made of glass-filled Nylon, color is black
- Optional bracket is aluminum, optional plate is XX phenolic

Options, contact Factory for information

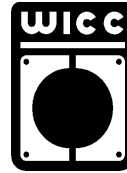
- UL and Canadian UL Recognized Component. File E100575
- 2.0, 5.0, and 10 VAC output at F.S. primary amperage. Other non-standard ratings also available.
- 1, 0.2, and 0.1 A output at F.S. primary amperage. Other non-standard ratings also available
- 8-32 Brass Stud Terminals or #16 AWG UL 1015 Lead Wires. Choice of stud location.
- Custom lead wire lengths and types
- Thermal ratings above 1.33 for selected ratios.
- Available with B3 and B31 brackets. See Bracket Data Section for dimensions.
- Center tap and custom multi tap winding arrangements

3.50" I.D.

CURRENT TRANSFORMER
MODEL MW

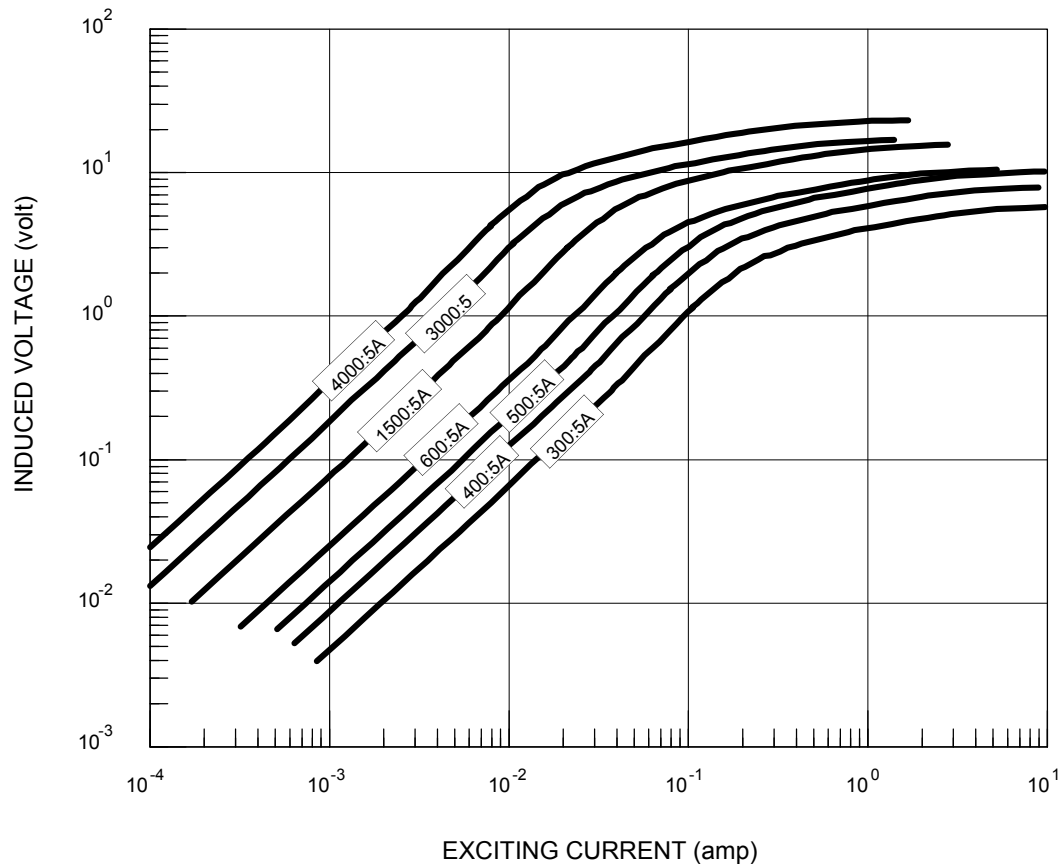
PAGE No

REV 29OCT99



W.I.C.C. Ltd
 119 MULLER RD
 PO Box 252
 WASHINGTON IL 61571
 (309)-444-4125
 FAX (309)-444-3313

TYPICAL EXCITATION CURVE for WICC MODEL MW at 60HZ



W.I.C.C. PART NUMBER *	RATIO	ACCURACY @ 50HZ		NOMINAL WINDING RESISTANCE (ohm)
		± %	BURDEN (VA)	
MW-300-00-xxx	300:5A	1.5	2.0	0.06
MW-400-00-xxx	400:5A	1.0	2.0	0.08
MW-500-00-xxx	500:5A	1.0	4.0	0.10
MW-600-00-xxx	600:5A	1.0	6.0	0.12
MW-800-00-xxx	800:5A	1.0	10	0.17
MW-1000-00-xxx	1000:5A	1.0	12	0.22
MW-1200-00-xxx	1200:5A	1.0	20	0.25
MW-1500-00-xxx	1500:5A	1.0	15	0.50
MW-1600-00-xxx	1600:5A	1.0	15	0.53
MW-2000-00-xxx	2000:5A	1.0	12	0.67
MW-2500-00-xxx	2500:5A	1.0	15	0.85
MW-3000-00-xxx	3000:5A	1.0	25	1.0
MW-4000-00-xxx	4000:5A	1.0	45	1.4

* "xxx" describes termination: "T" FOR BRASS STUDS, "TT" FOR BRASS STUDS in top terminal configuration, and "Lyyy" FOR LEAD WIRES (Where "yyy" is the lead length in inches. For example, "L24" represents 24 inch long lead wires.)