

LED



createchange

FEATURES

- Optical design provides one-for-one replacement of metal halide and fluorescent high bays with substantial energy savings
- Three LED color choices and 84 CRI
- High efficacy LEDs provide up to 158 Lumens Per Watt
- Available in narrow or wide distribution
- Long-Life LEDs 60,000 hours at L80 with projected life over 200,000 hours for reduced life cycle maintenance costs
- Easy center driver cover allows tool-less access to electrical components for modular replaceability
- Drivers include 6kV surge protection
- Extremely low profile—only 2" overall height
- Quick and simple hanging systems include chain, tong or aircraft cable mounting
- Access cover in channel for easy wiring access
- "Plug and play" occupancy sensor, daylight sensor, cord and plug
- Wire guard and/or lens option
- ControlScope® compatible
- DesignLights Consortium® (DLC) qualified
- CSA listed and suitable for damp locations
- -20°C up to +65°C ambient operation; see table provided for details
- 5 Year Warranty

PROJECT INFORMATION

Project Name _____

Type _____

Catalog No. _____

Date _____

CONSTRUCTION

Code gauge steel construction for durability to withstand shipping and job site handling. End caps include hemmed edges for ease of handling. Fixture provides easy access to electrical components via removal of channel cover. Tool-less access with one quarter-turn fastener. Oversized access plate conveniently mounted on back of channel for easy access to wiring compartment.

REFLECTOR

Narrow version features multi-faceted specular aluminum reflector for aisle lighting and areas where tighter lighting beam spread is desired. Wide distribution model provides maximum light distribution for open areas. Reflector removal is not required to gain access to electrical components.

PERFORMANCE

VersaBay® LED provides high efficacy, reduced input wattage compared to HID or fluorescent, and the excellent lighting quality needed for task visibility, material characteristic and color differentiation.

FINISH

All metal parts processed with a phosphate bonding treatment. Pre-painted with high gloss baked white enamel, 86% reflective. Polyester powder coat paint after fabrication (PAF) option available for product housing and ends, reflectance 90%.

SHIELDING

Optional lens shielding is virgin acrylic or polycarbonate.

MOUNTING

Fixture to be suspended a minimum of 28" from solid surface. Mounting options include aircraft cable, tong hanger, pipe hanger, or chain.

CERTIFICATION

All luminaires are built to UL1598 and 2108 standard, and bear appropriate CSA labels. Damp location labeling is standard. Emergency equipped fixtures built to UL942. Adheres to LM79, LM80 and TM21 industry standards. . DesignLights Consortium® (DLC) qualified. Please refer to the DLC website for specific product qualifications at www.designlights.org.

WARRANTY

5 Year Warranty (Terms and Conditions apply).

ORDERING INFORMATION

EXAMPLE LLHV4-50H-WST-EU

LLHV	4	-	-	ST	-	-
MODEL	COLOR TEMP	REFLECTOR	DRIVER	OPTIONS		
LLHV VersaBay® LED High Bay	35 3500 40 4000 50 5000	N Narrow Distribution W Wide Distribution	E Fixed Output ED 0-10V Dimming	C6TL15 6' Cord and Twist-Lock™ Plug 15A (Add Voltage: 1=120, 2=277) C6TL20 6' Cord and Twist-Lock™ Plug 20A (Add Voltage 1=120, 2=277) C6P151 6' Cord and Straight Blade Plug 15A, 120V CA Clear Acrylic Lens ^{1,2} CP Clear Polycarbonate Lens ^{1,2} SFA Smooth Frosted Acrylic Lens ^{1,2} CAWG Clear Acrylic Lens and Flat Wire Guard ^{1,2,3} CPWG Clear Polycarbonate Lens and Flat Wire Guard ^{1,2,3} SFAWG Smooth Frosted Acrylic Lens with Flat Wire Guard ^{1,2,3} WG Flat Wire Guard ^{1,3} SP Side Panels Installed ^{1,4} ELL14 Emergency Battery Pack, 1400 Lumens ^{5,6} F4C5 4-Conductor Cord GLR Fast Blow Fuse OS1360 Factory Installed Occupancy/Daylight, Sensor, 1-relay, 360° lens 120/277 OS2360 Factory Installed Occupancy/Daylight, Sensor, 2-relay, 360° lens 120/277 OS1A Factory Installed Occupancy/Daylight Sensor, 1-relay, Aisle lens, 120/277 OS2A Factory Installed Occupancy/Daylight Sensor, 2-relay, Aisle lens, 120/277 ODS1360 Factory Installed Dimming Occupancy/Daylight Sensor, 1-relay, 360° lens 120/277 ODS1A Factory Installed Dimming Occupancy/Daylight Sensor, 1-relay, Aisle lens 120/277 NYC NYC Compliant ZRE ControlScope® compatible ⁸ LV Lutron Vive Enabled, 0-10V ^{11, 12}		
SIZE	LUMEN OUTPUT	UPLIGHT	VOLTAGE			
4 4'	L Low Watt M Medium Lumen H High Lumen V Very High Lumen X Extra High Lumen U Ultra High Lumen Lumen output varies fixture width, see cross section drawings	ST Solid Top (no uplight)	U 120V-277V 347 347V ⁹ 480 480V ⁹			

ACCESSORIES (ORDER SEPARATELY)

LHVTH	Tong Hanger (Pair) for L, M, and H lumen outputs ¹⁰
LHVWTH	Wide Tong Hanger (pair) for V, X, and U lumen outputs ¹⁰
LHVWG4-4	Wireguard, White for L, M, and H lumen outputs ³
LHVWG4-6	Wireguard, White for V, X, and U lumen outputs ³
LHVQMS	Aircraft Cable, 5' (Pair)
LHVQM10	Aircraft Cable, 10' (Pair)
LHVSPMS	Single Point Mounting, Includes Pair of 5' Aircraft Cables ⁷
LHVSP	Side Panels (Pair)
LHVOS1360	Occupancy/Daylight Sensor, with a 360° lens, 120/277/347V
LHVOS2360	Occupancy/Daylight Sensor, with a 360° lens, 120/277/347V

¹ Side panels increase height to 27".
² Lens reduces max ambient operating temperature (see table).
³ Using a Wire Guard may cause shadowing.
⁴ Side panels only; does not include lens or wire guard options.
⁵ ELL14 reduces max ambient temperature (see table).
⁶ ELL14 not available with 347v or 480v.
⁷ For use only with L, M, H Lumen packages.
⁸ Registered trademark of Daintree Networks, used by permission.
⁹ Consult factory for V, X, U lumen packages.
¹⁰ Not available with ELL14.
¹¹ VIVE is a trademark of Lutron Electronics Co., Inc.
¹² Installations controlled solely by the Lutron Pico controller require accessing the LV (Lutron FCJS) module for commissioning after the circuit has been energized.

PHOTOMETRIC DATA

LUMINAIRE DATA

Luminaire	LLHV4-50M-WST-EU LLHV VersaBay LED High Bay, Industrial 16" x 48" LED with white reflector
Ballast Driver	XI190C275V054BSG1
Ballast Factor	1.00
Lamp	LED
Fixture Lumens	20341
Watts	138.40
Mounting	Pendant
Shielding Angle	0° = 90 90° = 90
Spacing Criterion	0° = 1.29 90° = 1.30
Luminous Opening in Feet	Length: 3.92 Width: 1.25 Height: 0.00

ENERGY DATA

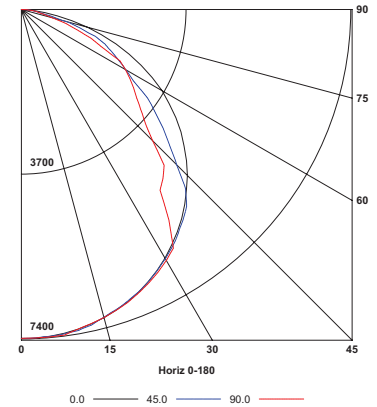
Total Luminaire Efficiency	100.0%
Total Lumens per Watt	147
ANSI/IESNA RP-1-2004 Compliance	Noncompliant
Comparative Yearly Lighting Energy Cost per 1000 Lumens	\$1.63 based on 3000 hrs. and \$0.08 per KWH

ZONAL LUMEN SUMMARY

Zone	Lumens	% Lamp	% Fixt.
0-30	5845	28.7	28.7
0-40	9617	47.3	47.3
0-60	16570	81.5	81.5
0-90	20341	100.0	100.0
0-180	20341	100.0	100.0

Test #16765 Test Date 8/5/2016

INDOOR CANDELA PLOT



LUMINAIRE DATA

Luminaire	LLHV4-50H-NST-EU LLHV VersaBay LED High Bay, Industrial 16" x 48" LED with specular reflector
Ballast Driver	XI095C275V054DNF1
Ballast Factor	1.00
Lamp	LED
Fixture Lumens	25952
Watts	194.50
Mounting	Pendant
Shielding Angle	0° = 90 90° = 90
Spacing Criterion	0° = 1.30 90° = 1.20
Luminous Opening in Feet	Length: 3.92 Width: 1.25 Height: 0.00

ENERGY DATA

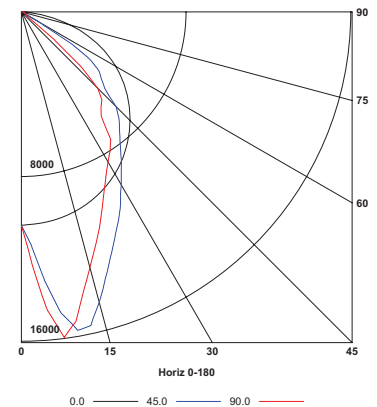
Total Luminaire Efficiency	100.0%
Total Lumens per Watt	133
ANSI/IESNA RP-1-2004 Compliance	Noncompliant
Comparative Yearly Lighting Energy Cost per 1000 Lumens	\$1.79 based on 3000 hrs. and \$0.08 per KWH

ZONAL LUMEN SUMMARY

Zone	Lumens	% Lamp	% Fixt.
0-30	10178	39.2	39.2
0-40	15640	60.3	60.3
0-60	23677	91.2	91.2
0-90	25952	100.0	100.0
0-180	25952	100.0	100.0

Test #16767 Test Date 8/15/2016

INDOOR CANDELA PLOT



LUMINAIRE DATA

Luminaire	LLHV4-50H-WST-EDU LLHV VersaBay LED High Bay, Industrial 16" x 48" LED with white reflector
Ballast Driver	XI095C275V054DNF1
Ballast Factor	1.00
Lamp	LED
Fixture Lumens	26838
Watts	194.80
Mounting	Pendant
Shielding Angle	0° = 90 90° = 90
Spacing Criterion	0° = 1.29 90° = 1.30
Luminous Opening in Feet	Length: 3.92 Width: 1.25 Height: 0.00

ENERGY DATA

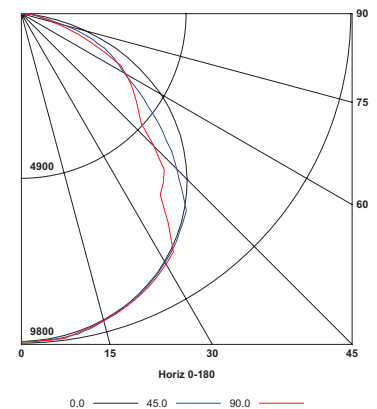
Total Luminaire Efficiency	100.0%
Total Lumens per Watt	138
ANSI/IESNA RP-1-2004 Compliance	Noncompliant
Comparative Yearly Lighting Energy Cost per 1000 Lumens	\$1.74 based on 3000 hrs. and \$0.08 per KWH

ZONAL LUMEN SUMMARY

Zone	Lumens	% Lamp	% Fixt.
0-30	7721	28.8	28.8
0-40	12705	47.3	47.3
0-60	21865	81.5	81.5
0-90	26838	100.0	100.0
0-180	26838	100.0	100.0

Test #16769 Test Date 8/5/2016

INDOOR CANDELA PLOT



PHOTOMETRIC DATA

LUMINAIRE DATA

Luminaire	LLHV4-50V-WST-EU LLHV VersaBay LED High Bay, Industrial 16" x 48" LED with white reflector
Ballast Driver	XI190C275V054BSG1
Ballast Factor	1.00
Lamp	LED
Fixture Lumens	34964
Watts	244.50
Mounting	Pendant
Shielding Angle	0° = 90 90° = 90
Spacing Criterion	0° = 1.29 90° = 1.29
Luminous Opening in Feet	Length: 3.92 Width: 1.25 Height: 0.00

ENERGY DATA

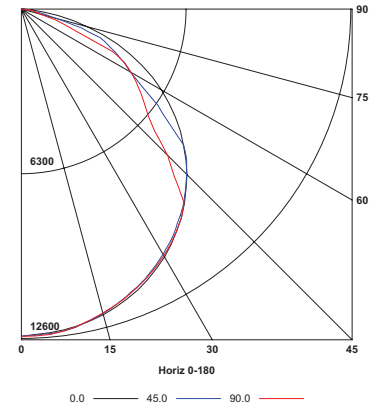
Total Luminaire Efficiency	100.0%
Total Lumens per Watt	143
ANSI/IESNA RP-1-2004 Compliance	Noncompliant
Comparative Yearly Lighting Energy Cost per 1000 Lumens	\$1.68 based on 3000 hrs. and \$0.08 per KWH

ZONAL LUMEN SUMMARY

Zone	Lumens	% Lamp	% Fixt.
0-30	9846	28.2	28.2
0-40	16304	46.6	46.6
0-60	28646	81.9	81.9
0-90	34964	100.0	100.0
0-180	34964	100.0	100.0

Test #16773 Test Date 8/12/2016

INDOOR CANDELA PLOT



LUMINAIRE DATA

Luminaire	LLHV4-50U-WST-EU LLHV VersaBay LED High Bay, Industrial 16" x 48" LED with white reflector
Ballast Driver	XI190C275V054BSG1
Ballast Factor	1.00
Lamp	LED
Fixture Lumens	52435
Watts	368.20
Mounting	Pendant
Shielding Angle	0° = 90 90° = 90
Spacing Criterion	0° = 1.29 90° = 1.29
Luminous Opening in Feet	Length: 3.92 Width: 1.25 Height: 0.00

ENERGY DATA

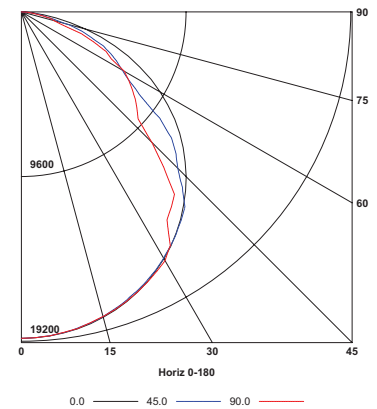
Total Luminaire Efficiency	100.0%
Total Lumens per Watt	142
ANSI/IESNA RP-1-2004 Compliance	Noncompliant
Comparative Yearly Lighting Energy Cost per 1000 Lumens	\$1.69 based on 3000 hrs. and \$0.08 per KWH

ZONAL LUMEN SUMMARY

Zone	Lumens	% Lamp	% Fixt.
0-30	14998	28.6	28.6
0-40	24736	47.2	47.2
0-60	42692	81.4	81.4
0-90	52435	100.0	100.0
0-180	52435	100.0	100.0

Test #17156 Test Date 8/9/2016

INDOOR CANDELA PLOT



CALCULATED HOURS	LLHV PREDICTED LIFE			LUMEN MAINTENANCE		
	LUMEN PACKAGE	NOMINAL LUMENS	AMBIENT OPERATING TEMP.	L70	L80	L90
	L	12,000	25	339,000	209,000	94,000
M	18,000	25	339,000	209,000	94,000	
		55	266,000	164,000	74,000	
H	24,000	25	339,000	209,000	94,000	
		55	217,000	134,000	60,000	
V	30,000	25	339,000	209,000	94,000	
		55	204,000	126,000	57,000	
X	36,000	25	339,000	209,000	94,000	
		55	186,000	111,000	45,000	
U	48,000	25	339,000	209,000	94,000	
		55	186,000	111,000	45,000	

LUMEN PACKAGE	MAX. AMBIENT OPERATING TEMP.			
	NO LENS		LENS	
	No ELL14	ELL14	No ELL14	ELL14
L	65	45	60	45
M	55	45	50	45
H	55	45	50	45
V	55	45	50	45
X	55	45	50	45
U	55	45	50	45

ELL14: Factory installed emergency battery pack, 1400 lumens

DRIVER GENERATION COMPARISON		
OUTPUT	PREVIOUS DRIVER QTY	CURRENT DRIVER QTY
L	2	1
M	2	1
H	3	2
V	2	2
X	3	2
U	3	2

LUMEN PACKAGE	MAX. AMBIENT OPERATING TEMP. (347V/480V)			
	NO LENS		LENS	
	No ELL14	ELL14	No ELL14	ELL14
L	55	NA	40	NA
M	45	NA	35	NA
H	45	NA	35	NA
V	C.F.*	NA	C.F.*	NA
X	C.F.*	NA	C.F.*	NA
U	C.F.*	NA	C.F.*	NA

ELL14: Factory installed emergency battery pack, 1400 lumens
*Consult Factory

Lumen Package	Output	Color	Distribution	Lens	Wire Guard	Lumens	Watts	LPW	Typically Replaces		
LLHV4-35L-NST-EU-CAWG	Low	35K	Narrow	Clear Acrylic	Wire Guard	10,898	88.6	123.0	150W - 250W Metal Halide, 2T5 HO, 4T8		
LLHV4-35L-NST-EU-CA				Clear Acrylic		11,433	88.6	129.0			
LLHV4-35L-NST-EU-CPWG				Clear Polycarbonate	Wire Guard	10,570	88.7	119.2			
LLHV4-35L-NST-EU-CP				Clear Polycarbonate		11,089	88.7	125.0			
LLHV4-35L-NST-EU-CP				Clear Polycarbonate		11,266	88.7	127.0			
LLHV4-35L-NST-EU-SFAWG				Smooth Frosted Acrylic	Wire Guard	10,494	88.8	118.2			
LLHV4-35L-NST-EU-SFA				Smooth Frosted Acrylic		11,009	88.8	124.0			
LLHV4-35L-NST-EU-WG					Wire Guard	11,172	89.2	125.2			
LLHV4-35L-NST-EU						11,837	89	133.0			
LLHV4-40L-NST-EU-CAWG				40K	Narrow	Clear Acrylic	Wire Guard	11,063		88.6	124.9
LLHV4-40L-NST-EU-CA						Clear Acrylic		11,616		88.6	131.1
LLHV4-40L-NST-EU-CPWG						Clear Polycarbonate	Wire Guard	10,730		88.7	121.0
LLHV4-40L-NST-EU-CP						Clear Polycarbonate		12,264		88.7	138.3
LLHV4-40L-NST-EU-SFAWG						Smooth Frosted Acrylic	Wire Guard	10,653		88.8	120.0
LLHV4-40L-NST-EU-SFA		Smooth Frosted Acrylic				11,185	88.8	126.0			
LLHV4-40L-NST-EU-WG			Wire Guard			11,351	89.2	127.3			
LLHV4-40L-NST-EU						12,026	89	135.1			
LLHV4-40L-WST-EU-CAWG		Wide	Wide			Clear Acrylic	Wire Guard	11,506		88.6	129.9
LLHV4-40L-WST-EU-CA						Clear Acrylic		12,082		88.6	136.4
LLHV4-40L-WST-EU-CPWG						Clear Polycarbonate	Wire Guard	11,159		88.7	125.8
LLHV4-40L-WST-EU-CP						Clear Polycarbonate		11,717		88.7	132.1
LLHV4-40L-WST-EU-SFAWG						Smooth Frosted Acrylic	Wire Guard	11,079		88.8	124.8
LLHV4-40L-WST-EU-SFA						Smooth Frosted Acrylic		11,632		88.8	131.0
LLHV4-40L-WST-EU-WG					Wire Guard	11,824	89.2	132.6			
LLHV4-40L-WST-EU						12,453	89.2	139.6			
LLHV4-50L-NST-EU-CAWG				50K	Narrow	Clear Acrylic	Wire Guard	12,043		88.6	135.9
LLHV4-50L-NST-EU-CA						Clear Acrylic		12,645		88.6	142.7
LLHV4-50L-NST-EU-CPWG						Clear Polycarbonate	Wire Guard	11,680		88.7	131.7
LLHV4-50L-NST-EU-SFAWG						Smooth Frosted Acrylic	Wire Guard	11,596		88.8	130.6
LLHV4-50L-NST-EU-SFA						Smooth Frosted Acrylic		12,176		88.8	137.1
LLHV4-50L-NST-EU-WG							Wire Guard	12,357		89.2	138.5
LLHV4-50L-NST-EU						13,091	89	147.1			
LLHV4-50L-WST-EU-CAWG		Wide	Wide		Clear Acrylic	Wire Guard	12,525	88.6		141.4	
LLHV4-50L-WST-EU-CA					Clear Acrylic		13,152	88.6		148.4	
LLHV4-50L-WST-EU-CPWG					Clear Polycarbonate	Wire Guard	12,148	88.7		137.0	
LLHV4-50L-WST-EU-CP	Clear Polycarbonate					12,755	88.7	143.8			
LLHV4-50L-WST-EU-SFAWG	Smooth Frosted Acrylic				Wire Guard	12,060	88.8	135.8			
LLHV4-50L-WST-EU-SFA	Smooth Frosted Acrylic					12,663	88.8	142.6			
LLHV4-50L-WST-EU-WG					Wire Guard	12,871	89.2	144.3			
LLHV4-50L-WST-EU			13,557	89.2	152.0						
LLHV4-35M-NST-EU-CAWG	Medium	35K	Narrow	Clear Acrylic	Wire Guard	15,254	138.4	110.2	250W - 400W Metal Halide, 4T5HO, 6T8		
LLHV4-35M-NST-EU-CA				Clear Acrylic		16,057	138.4	116.0			
LLHV4-35M-NST-EU-CPWG				Clear Polycarbonate	Wire Guard	14,583	138.4	105.4			
LLHV4-35M-NST-EU-CP				Clear Polycarbonate		15,351	138.4	110.9			
LLHV4-35M-NST-EU-SFAWG				Smooth Frosted Acrylic	Wire Guard	14,416	138.4	104.2			
LLHV4-35M-NST-EU-SFA				Smooth Frosted Acrylic		15,175	138.4	109.6			
LLHV4-35M-NST-EU-WG					Wire Guard	16,763	138.4	121.1			
LLHV4-35M-NST-EU						17,769	138.4	128.4			

Lumen Package	Output	Color	Distribution	Lens	Wire Guard	Lumens	Watts	LPW	Typically Replaces	
LLHV4-35M-WST-EU-CAWG	Medium	35K	Wide	Clear Acrylic	Wire Guard	15,890	138.4	114.8	250W - 400W Metal Halide, 4T5HO, 6T8	
LLHV4-35M-WST-EU-CA				Clear Acrylic		16,726	138.4	120.9		
LLHV4-35M-WST-EU-CPWG				Clear Polycarbonate	Wire Guard	15,191	138.4	109.8		
LLHV4-35M-WST-EU-CP				Clear Polycarbonate		15,991	138.4	115.5		
LLHV4-35M-WST-EU-SFAWG				Smooth Frosted Acrylic	Wire Guard	15,017	138.4	108.5		
LLHV4-35M-WST-EU-SFA				Smooth Frosted Acrylic		15,807	138.4	114.2		
LLHV4-35M-WST-EU-WG						Wire Guard	17,461	138.4		126.2
LLHV4-35M-WST-EU							18,391	138.4		132.9
LLHV4-40M-NST-EU-CAWG			40K	Narrow	Clear Acrylic	Wire Guard	15,498	138.4		112.0
LLHV4-40M-NST-EU-CA					Clear Acrylic		16,314	138.4		117.9
LLHV4-40M-NST-EU-CPWG					Clear Polycarbonate	Wire Guard	14,817	138.4		107.1
LLHV4-40M-NST-EU-CP					Clear Polycarbonate		15,597	138.4		112.7
LLHV4-40M-NST-EU-SFAWG		Smooth Frosted Acrylic			Wire Guard	14,647	138.4	105.8		
LLHV4-40M-NST-EU-SFA		Smooth Frosted Acrylic				15,418	138.4	111.4		
LLHV4-40M-NST-EU-WG						Wire Guard	17,031	138.4		123.1
LLHV4-40M-NST-EU							18,053	138.4		130.4
LLHV4-40M-WST-EU-CAWG		Wide		Wide	Clear Acrylic	Wire Guard	16,144	138.4		116.6
LLHV4-40M-WST-EU-CA					Clear Acrylic		16,993	138.4		122.8
LLHV4-40M-WST-EU-CPWG					Clear Polycarbonate	Wire Guard	15,435	138.4		111.5
LLHV4-40M-WST-EU-CP					Clear Polycarbonate		16,246	138.4		117.4
LLHV4-40M-WST-EU-SFAWG			Smooth Frosted Acrylic		Wire Guard	15,257	138.4	110.2		
LLHV4-40M-WST-EU-SFA			Smooth Frosted Acrylic			16,060	138.4	116.0		
LLHV4-40M-WST-EU-WG						Wire Guard	17,740	138.4		128.2
LLHV4-40M-WST-EU							18,685	138.4		135.0
LLHV4-50M-NST-EU-CAWG			50K	Narrow	Clear Acrylic	Wire Guard	16,871	138.4		121.9
LLHV4-50M-NST-EU-CA					Clear Acrylic		17,759	138.4		128.3
LLHV4-50M-NST-EU-CPWG					Clear Polycarbonate	Wire Guard	16,129	138.4		116.5
LLHV4-50M-NST-EU-CP					Clear Polycarbonate		16,979	138.4		122.7
LLHV4-50M-NST-EU-SFAWG		Smooth Frosted Acrylic			Wire Guard	15,944	138.4	115.2		
LLHV4-50M-NST-EU-SFA		Smooth Frosted Acrylic				16,783	138.4	121.3		
LLHV4-50M-NST-EU-WG						Wire Guard	18,539	138.4		134.0
LLHV4-50M-NST-EU							19,652	138.4		142.0
LLHV4-50M-WST-EU-CAWG		Wide		Wide	Clear Acrylic	Wire Guard	17,574	138.4		127.0
LLHV4-50M-WST-EU-CA					Clear Acrylic		18,499	138.4		133.7
LLHV4-50M-WST-EU-CPWG					Clear Polycarbonate	Wire Guard	16,802	138.4		121.4
LLHV4-50M-WST-EU-CP					Clear Polycarbonate		17,686	138.4		127.8
LLHV4-50M-WST-EU-SFAWG	Smooth Frosted Acrylic		Wire Guard		16,608	138.4	120.0			
LLHV4-50M-WST-EU-SFA	Smooth Frosted Acrylic				17,482	138.4	126.3			
LLHV4-50M-WST-EU-WG				Wire Guard	19,312	138.4	139.5			
LLHV4-50M-WST-EU					20,340	138.4	147.0			
LLHV4-35H-NST-EU-CAWG	High	35K	Narrow	Clear Acrylic	Wire Guard	19,979	193.5	103.3	400W Metal Halide, 6T5 HO, 8T8	
LLHV4-35H-NST-EU-CA				Clear Acrylic		21,206	193.7	109.5		
LLHV4-35H-NST-EU-CP				Clear Polycarbonate		20,476	193.3	105.9		
LLHV4-35H-NST-EU-SFA				Smooth Frosted Acrylic		20,197	193.4	104.4		
LLHV4-35H-NST-EU-WG					Wire Guard	22,201	193.8	114.6		
LLHV4-35H-NST-EU						23,465	194.5	120.6		
LLHV4-35H-WST-EU-CAWG		Wide	Wide	Clear Acrylic	Wire Guard	20,827	193.5	107.6		
LLHV4-35H-WST-EU-CA				Clear Acrylic		22,105	193.7	114.1		

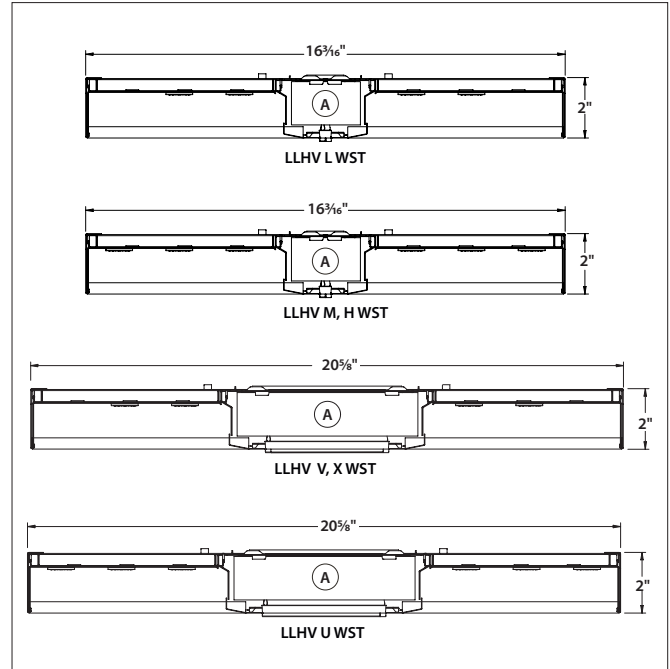
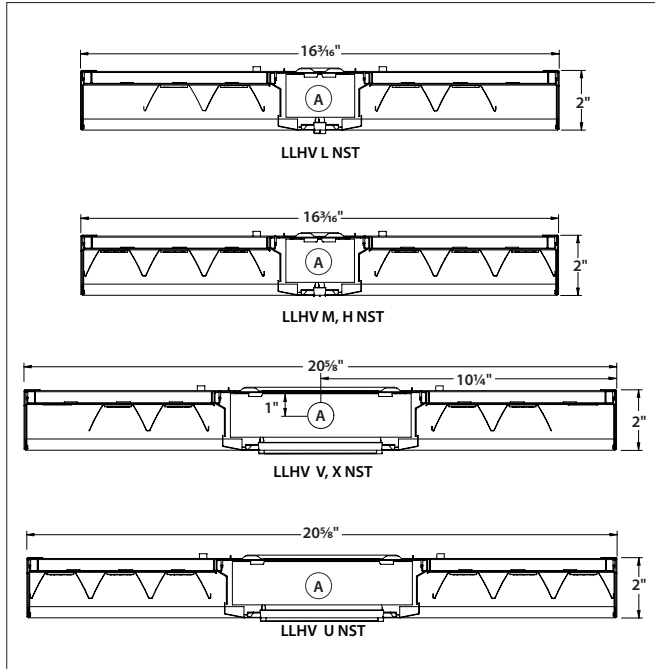
Lumen Package	Output	Color	Distribution	Lens	Wire Guard	Lumens	Watts	LPW	Typically Replaces										
LLHV4-35H-WST-EU-CPWG	High	35K	Wide	Clear Polycarbonate	Wire Guard	20,162	193.4	104.2	400W Metal Halide, 6T5 HO, 8T8										
LLHV4-35H-WST-EU-CP							21,344	193.3		110.4									
LLHV4-35H-WST-EU-SFAWG								19,917		193.3	103.0								
LLHV4-35H-WST-EU-SFA								21,054		193.4	108.9								
LLHV4-35H-WST-EU-WG										Wire Guard	23,142	193.8	119.4						
LLHV4-35H-WST-EU											24,265	194.8	124.6						
LLHV4-40H-NST-EU-CAWG		40K	Narrow		Clear Acrylic	Wire Guard	20,298	193.5		104.9									
LLHV4-40H-NST-EU-CA											21,546	193.7	111.2						
LLHV4-40H-NST-EU-CP												20,803	193.3	107.6					
LLHV4-40H-NST-EU-SFA												20,521	193.4	106.1					
LLHV4-40H-NST-EU-WG												Wire Guard	22,556	193.8	116.4				
LLHV4-40H-NST-EU													23,840	194.5	122.6				
LLHV4-40H-WST-EU-CAWG			Wide	Clear Acrylic	Wire Guard	21,144	193.5	109.3											
LLHV4-40H-WST-EU-CA												22,443	193.7	115.9					
LLHV4-40H-WST-EU-CPWG													Clear Polycarbonate	Wire Guard	20,468	193.4	105.8		
LLHV4-40H-WST-EU-CP															21,670	193.3	112.1		
LLHV4-40H-WST-EU-SFAWG															Clear Polycarbonate		21,670	193.3	112.1
LLHV4-40H-WST-EU-SFA															Smooth Frosted Acrylic	Wire Guard	20,220	193.3	104.6
LLHV4-40H-WST-EU-WG															21,376	193.4	110.5		
LLHV4-40H-WST-EU															Wire Guard	23,496	193.8	121.2	
LLHV4-50H-NST-EU-CAWG				50K	Narrow		Clear Acrylic	Wire Guard		22,096	193.5	114.2							
LLHV4-50H-NST-EU-CA														23,454	193.7	121.1			
LLHV4-50H-NST-EU-CPWG															Clear Polycarbonate	Wire Guard	21,390	193.4	110.6
LLHV4-50H-NST-EU-CP																	22,646	193.3	117.2
LLHV4-50H-NST-EU-SFAWG															Smooth Frosted Acrylic	Wire Guard	21,131	193.3	109.3
LLHV4-50H-NST-EU-SFA																Smooth Frosted Acrylic	22,338	193.4	115.5
LLHV4-50H-NST-EU-WG														Wire Guard	24,554	193.8	126.7		
LLHV4-50H-NST-EU															25,952	194.5	133.4		
LLHV4-50H-WST-EU-CAWG		Wide	Clear Acrylic		Wire Guard	23,017	193.5	119.0											
LLHV4-50H-WST-EU-CA													24,432	193.7	126.1				
LLHV4-50H-WST-EU-CPWG												Clear Polycarbonate	Wire Guard	22,281	193.4	115.2			
LLHV4-50H-WST-EU-CP														Clear Polycarbonate	23,590	193.3	122.0		
LLHV4-50H-WST-EU-SFAWG														Smooth Frosted Acrylic	Wire Guard	22,012	193.3	113.9	
LLHV4-50H-WST-EU-SFA															Smooth Frosted Acrylic	23,269	193.4	120.3	
LLHV4-50H-WST-EU-WG													Wire Guard	25,577	193.8	132.0			
LLHV4-50H-WST-EU														26,837	194.8	137.8			
LLHV4-35V-NST-EU-CAWG	Very High		35K		Narrow	Clear Acrylic	Wire Guard	28,507	244.3	116.7									
LLHV4-35V-NST-EU-CA												29,932	244.3	122.5					
LLHV4-35V-NST-EU-CPWG												Clear Polycarbonate	Wire Guard	27,578	244.3	112.9			
LLHV4-35V-NST-EU-CP														Clear Polycarbonate	28,957	244.3	118.5		
LLHV4-35V-NST-EU-SFAWG													Smooth Frosted Acrylic	Wire Guard	27,268	244.3	111.6		
LLHV4-35V-NST-EU-SFA														Smooth Frosted Acrylic	28,631	244.3	117.2		
LLHV4-35V-NST-EU-WG												Wire Guard	29,414	244.5	120.3				
LLHV4-35V-NST-EU													31,013	244.3	126.9				
LLHV4-35V-WST-EU-CAWG		Wide	Clear Acrylic	Wire Guard	29,077	244.3	119.0												
LLHV4-35V-WST-EU-CA											30,531	244.3	125.0						
LLHV4-35V-WST-EU-CPWG														Clear Polycarbonate	Wire Guard	28,130	244.3	115.1	

Lumen Package	Output	Color	Distribution	Lens	Wire Guard	Lumens	Watts	LPW	Typically Replaces			
LLHV4-35V-WST-EU-CP	Very High	35K	Wide	Clear Polycarbonate		29,536	244.3	120.9	400W - 750W Metal Halide			
LLHV4-35V-WST-EU-SFAWG				Smooth Frosted Acrylic	Wire Guard	27,813	244.3	113.8				
LLHV4-35V-WST-EU-SFA				Smooth Frosted Acrylic		29,204	244.3	119.5				
LLHV4-35V-WST-EU-WG					Wire Guard	30,014	244.5	122.8				
LLHV4-35V-WST-EU						31,613	244.5	129.3				
LLHV4-40V-NST-EU-CAWG				40K	Narrow	Narrow	Clear Acrylic	Wire Guard		28,963	244.3	118.6
LLHV4-40V-NST-EU-CA		Clear Acrylic					30,411	244.3		124.5		
LLHV4-40V-NST-EU-CPWG		Clear Polycarbonate	Wire Guard				28,019	244.3		114.7		
LLHV4-40V-NST-EU-CP		Clear Polycarbonate					29,420	244.3		120.4		
LLHV4-40V-NST-EU-SFAWG		Smooth Frosted Acrylic	Wire Guard				27,704	244.3		113.4		
LLHV4-40V-NST-EU-SFA		Smooth Frosted Acrylic					29,090	244.3		119.1		
LLHV4-40V-NST-EU-WG			Wire Guard		29,884	244.5	122.2					
LLHV4-40V-NST-EU					31,509	244.3	129.0					
LLHV4-40V-WST-EU-CAWG		Wide	Wide		Wide	Clear Acrylic	Wire Guard	29,542		244.3	120.9	
LLHV4-40V-WST-EU-CA						Clear Acrylic		31,019		244.3	127.0	
LLHV4-40V-WST-EU-CPWG						Clear Polycarbonate	Wire Guard	28,580		244.3	117.0	
LLHV4-40V-WST-EU-CP						Clear Polycarbonate		30,009		244.3	122.8	
LLHV4-40V-WST-EU-SFAWG						Smooth Frosted Acrylic	Wire Guard	28,258		244.3	115.7	
LLHV4-40V-WST-EU-SFA						Smooth Frosted Acrylic		29,671		244.3	121.5	
LLHV4-40V-WST-EU-WG					Wire Guard	30,495	244.5	124.7				
LLHV4-40V-WST-EU						34,964	244.5	143.0				
LLHV4-50V-NST-EU-CAWG			50K		Narrow	Narrow	Clear Acrylic	Wire Guard		31,529	244.3	129.1
LLHV4-50V-NST-EU-CA							Clear Acrylic			33,105	244.3	135.5
LLHV4-50V-NST-EU-CPWG				Clear Polycarbonate			Wire Guard	30,501		244.3	124.9	
LLHV4-50V-NST-EU-CP				Clear Polycarbonate				32,026		244.3	131.1	
LLHV4-50V-NST-EU-SFAWG		Smooth Frosted Acrylic		Wire Guard			30,158	244.3		123.4		
LLHV4-50V-NST-EU-SFA		Smooth Frosted Acrylic					31,666	244.3		129.6		
LLHV4-50V-NST-EU-WG				Wire Guard	32,532	244.5	133.1					
LLHV4-50V-NST-EU					34,301	244.3	140.4					
LLHV4-50V-WST-EU-CAWG		Wide		Wide	Wide	Clear Acrylic	Wire Guard	32,159		244.3	131.6	
LLHV4-50V-WST-EU-CA						Clear Acrylic		33,767		244.3	138.2	
LLHV4-50V-WST-EU-CPWG						Clear Polycarbonate	Wire Guard	31,111		244.3	127.3	
LLHV4-50V-WST-EU-CP						Clear Polycarbonate		32,667		244.3	133.7	
LLHV4-50V-WST-EU-SFAWG						Smooth Frosted Acrylic	Wire Guard	30,762		244.3	125.9	
LLHV4-50V-WST-EU-SFA						Smooth Frosted Acrylic		32,299		244.3	132.2	
LLHV4-50V-WST-EU-WG					Wire Guard	33,196	244.5	135.8				
LLHV4-50V-WST-EU					34,964	244.5	143.0					
LLHV4-35X-NST-EU-CAWG	Extra High			35K	Narrow	Clear Acrylic	Wire Guard	32,502	285.9	113.7		
LLHV4-35X-NST-EU-CA						Clear Acrylic		34,127	285.9	119.4		
LLHV4-35X-NST-EU-CPWG			Clear Polycarbonate			Wire Guard	31,442	285.9	110.0			
LLHV4-35X-NST-EU-CP			Clear Polycarbonate				33,014	285.9	115.5			
LLHV4-35X-NST-EU-SFAWG		Smooth Frosted Acrylic	Wire Guard			31,089	285.9	108.7				
LLHV4-35X-NST-EU-SFA		Smooth Frosted Acrylic				32,643	285.9	114.2				
LLHV4-35X-NST-EU-WG			Wire Guard	33,356	286.7	116.3						
LLHV4-35X-NST-EU				35,359	285.9	123.7						
LLHV4-35X-WST-EU-CAWG		Wide	Wide	Wide	Clear Acrylic	Wire Guard	33,152	285.9	116.0			
LLHV4-35X-WST-EU-CA					Clear Acrylic		34,810	285.9	121.8			
LLHV4-35X-WST-EU-CPWG					Clear Polycarbonate	Wire Guard	32,071	285.9	112.2			

Lumen Package	Output	Color	Distribution	Lens	Wire Guard	Lumens	Watts	LPW	Typically Replaces					
LLHV4-35X-WST-EU-CP	Extra High	35K	Wide	Clear Polycarbonate		33,674	285.9	117.8	750W - 1,000W Metal Halide					
LLHV4-35X-WST-EU-SFAWG				Smooth Frosted Acrylic	Wire Guard	31,711	285.9	110.9						
LLHV4-35X-WST-EU-SFA				Smooth Frosted Acrylic		33,296	285.9	116.5						
LLHV4-35X-WST-EU-WG					Wire Guard	34,037	286.7	118.7						
LLHV4-35X-WST-EU						35,850	286.7	125.0						
LLHV4-40X-NST-EU-CAWG		Extra High	40K	Narrow	Clear Acrylic	Wire Guard	33,022	285.9		115.5				
LLHV4-40X-NST-EU-CA					Clear Acrylic		34,673	285.9		121.3				
LLHV4-40X-NST-EU-CPWG					Clear Polycarbonate	Wire Guard	31,945	285.9		111.7				
LLHV4-40X-NST-EU-CP					Clear Polycarbonate		33,542	285.9		117.3				
LLHV4-40X-NST-EU-SFAWG					Smooth Frosted Acrylic	Wire Guard	31,586	285.9		110.5				
LLHV4-40X-NST-EU-SFA					Smooth Frosted Acrylic		33,166	285.9		116.0				
LLHV4-40X-NST-EU-WG						Wire Guard	33,890	286.7		118.2				
LLHV4-40X-NST-EU							35,925	285.9		125.7				
LLHV4-40X-WST-EU-CAWG					Wide	Wide	Wide	Clear Acrylic		Wire Guard	33,682	285.9	117.8	
LLHV4-40X-WST-EU-CA								Clear Acrylic			35,367	285.9	123.7	
LLHV4-40X-WST-EU-CPWG								Clear Polycarbonate		Wire Guard	32,584	285.9	114.0	
LLHV4-40X-WST-EU-CP								Clear Polycarbonate			34,213	285.9	119.7	
LLHV4-40X-WST-EU-SFAWG								Smooth Frosted Acrylic		Wire Guard	32,218	285.9	112.7	
LLHV4-40X-WST-EU-SFA								Smooth Frosted Acrylic			33,829	285.9	118.3	
LLHV4-40X-WST-EU-WG										Wire Guard	34,581	286.7	120.6	
LLHV4-40X-WST-EU								36,423		286.7	127.0			
LLHV4-50X-NST-EU-CAWG			50K	Narrow				Narrow		Clear Acrylic	Wire Guard	35,947	285.9	125.7
LLHV4-50X-NST-EU-CA										Clear Acrylic		37,745	285.9	132.0
LLHV4-50X-NST-EU-CPWG										Clear Polycarbonate	Wire Guard	34,775	285.9	121.6
LLHV4-50X-NST-EU-CP										Clear Polycarbonate		36,514	285.9	127.7
LLHV4-50X-NST-EU-SFAWG										Smooth Frosted Acrylic	Wire Guard	34,384	285.9	120.3
LLHV4-50X-NST-EU-SFA										Smooth Frosted Acrylic		36,104	285.9	126.3
LLHV4-50X-NST-EU-WG											Wire Guard	36,892	286.7	128.7
LLHV4-50X-NST-EU							39,107			285.9	136.8			
LLHV4-50X-WST-EU-CAWG					Wide	Wide	Wide			Clear Acrylic	Wire Guard	36,666	285.9	128.2
LLHV4-50X-WST-EU-CA										Clear Acrylic		38,499	285.9	134.7
LLHV4-50X-WST-EU-CPWG				Clear Polycarbonate				Wire Guard		35,470	285.9	124.1		
LLHV4-50X-WST-EU-CP				Clear Polycarbonate						37,244	285.9	130.3		
LLHV4-50X-WST-EU-SFAWG				Smooth Frosted Acrylic				Wire Guard		35,072	285.9	122.7		
LLHV4-50X-WST-EU-SFA				Smooth Frosted Acrylic						36,825	285.9	128.8		
LLHV4-50X-WST-EU-WG								Wire Guard		37,644	286.7	131.3		
LLHV4-50X-WST-EU								39,650		286.7	138.3			
LLHV4-35U-NST-EU-CAWG			Ultra High	35K				Narrow		Clear Acrylic	Wire Guard	40,141	368.1	109.0
LLHV4-35U-NST-EU-CA										Clear Acrylic		42,254	368.1	114.8
LLHV4-35U-NST-EU-CPWG					Clear Polycarbonate	Wire Guard	38,377			368.1	104.3			
LLHV4-35U-NST-EU-CP	Clear Polycarbonate					40,397	368.1		109.7					
LLHV4-35U-NST-EU-SFAWG	Smooth Frosted Acrylic				Wire Guard	37,936	368.1		103.1					
LLHV4-35U-NST-EU-SFA	Smooth Frosted Acrylic					39,932	368.1		108.5					
LLHV4-35U-NST-EU-WG					Wire Guard	44,111	368.1		119.8					
LLHV4-35U-NST-EU						46,659	368.4		126.7					
LLHV4-35U-WST-EU-CAWG	Wide	Wide			Wide	Clear Acrylic	Wire Guard		40,960	368.1	111.3			
LLHV4-35U-WST-EU-CA						Clear Acrylic			43,116	368.1	117.1			
LLHV4-35U-WST-EU-CPWG				Clear Polycarbonate		Wire Guard	39,160	368.1	106.4					

Lumen Package	Output	Color	Distribution	Lens	Wire Guard	Lumens	Watts	LPW	Typically Replaces		
LLHV4-35U-WST-EU-CP	Ultra High	35K	Wide	Clear Polycarbonate		41,221	368.1	112.0	1,000W Metal Halide		
LLHV4-35U-WST-EU-SFAWG				Smooth Frosted Acrylic	Wire Guard	38,710	368.1	105.2			
LLHV4-35U-WST-EU-SFA				Smooth Frosted Acrylic		40,747	368.1	110.7			
LLHV4-35U-WST-EU-WG					Wire Guard	45,011	368.1	122.3			
LLHV4-35U-WST-EU						47,409	368.2	128.8			
LLHV4-40U-NST-EU-CAWG		Ultra High	40K	Narrow	Clear Acrylic	Wire Guard	40,784	368.1		110.8	
LLHV4-40U-NST-EU-CA					Clear Acrylic		42,930	368.1		116.6	
LLHV4-40U-NST-EU-CPWG					Clear Polycarbonate	Wire Guard	38,991	368.1		105.9	
LLHV4-40U-NST-EU-CP					Clear Polycarbonate		41,043	368.1		111.5	
LLHV4-40U-NST-EU-SFAWG					Smooth Frosted Acrylic	Wire Guard	38,543	368.1		104.7	
LLHV4-40U-NST-EU-SFA					Smooth Frosted Acrylic		40,571	368.1		110.2	
LLHV4-40U-NST-EU-WG					Wire Guard	44,817	368.1	121.8			
LLHV4-40U-NST-EU						47,405	368.4	128.7			
LLHV4-40U-WST-EU-CAWG				Wide	Wide	Clear Acrylic	Wire Guard	41,616		368.1	113.1
LLHV4-40U-WST-EU-CA						Clear Acrylic		43,806		368.1	119.0
LLHV4-40U-WST-EU-CPWG						Clear Polycarbonate	Wire Guard	39,787		268.1	148.4
LLHV4-40U-WST-EU-CP						Clear Polycarbonate		41,880		368.1	113.8
LLHV4-40U-WST-EU-SFAWG			Smooth Frosted Acrylic			Wire Guard	39,329	368.1		106.8	
LLHV4-40U-WST-EU-SFA			Smooth Frosted Acrylic				41,399	368.1		112.5	
LLHV4-40U-WST-EU-WG					Wire Guard	45,730	368.1	124.2			
LLHV4-40U-WST-EU						48,168	368.2	130.8			
LLHV4-50U-NST-EU-CAWG			50K		Narrow	Clear Acrylic	Wire Guard	44,396		368.1	120.6
LLHV4-50U-NST-EU-CA						Clear Acrylic		46,733		368.1	127.0
LLHV4-50U-NST-EU-CPWG						Clear Polycarbonate	Wire Guard	42,445		368.1	115.3
LLHV4-50U-NST-EU-CP						Clear Polycarbonate		44,679		368.1	121.4
LLHV4-50U-NST-EU-SFAWG				Smooth Frosted Acrylic		Wire Guard	41,957	368.1		114.0	
LLHV4-50U-NST-EU-SFA				Smooth Frosted Acrylic			44,165	368.1		120.0	
LLHV4-50U-NST-EU-WG						Wire Guard	48,787	368.1		132.5	
LLHV4-50U-NST-EU							51,604	368.4		140.1	
LLHV4-50U-WST-EU-CAWG				Wide		Clear Acrylic	Wire Guard	45,302		368.1	123.1
LLHV4-50U-WST-EU-CA					Clear Acrylic		47,686	368.1		129.5	
LLHV4-50U-WST-EU-CPWG					Clear Polycarbonate	Wire Guard	43,311	368.1		117.7	
LLHV4-50U-WST-EU-CP					Clear Polycarbonate		45,590	368.1		123.9	
LLHV4-50U-WST-EU-SFAWG	Smooth Frosted Acrylic				Wire Guard	42,813	368.1	116.3			
LLHV4-50U-WST-EU-SFA	Smooth Frosted Acrylic					45,066	368.1	122.4			
LLHV4-50U-WST-EU-WG					Wire Guard	49,782	368.1	135.2			
LLHV4-50U-WST-EU						52,434	368.2	142.4			

DIMENSIONAL DATA



A: 7/8" Knock-out. Typically used for optional sensor feed and placement.