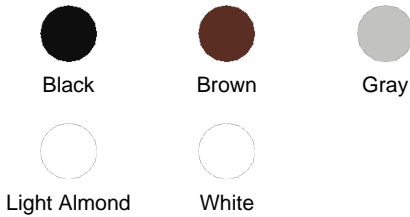




**UPC Code :** 078477655405

**Country Of Origin :** Mexico

**Available Colors :**



# TCR15-I

Duplex Receptacle Outlet, Commercial Specification Grade, Tamper-Resistant, Smooth Face, 15 Amp, 125 Volt, Side Wire, NEMA 5-15R, 2-Pole, 3-Wire, Self-Grounding - Ivory

**Technical Information**

**AC Horsepower Ratings**

**Horsepower Rating :** 1/2 HP

**Electrical Specifications**

**Amperage :** 15 A

**Current Limiting :** Full Rated Current

**Dielectric Voltage :** Withstands 2000V per UL498

**Grounding :** Self-Grounding

**Pole :** 2

**Temperature Rise :** Max 30C after 100 cycles OL at 150 percent rated current

**Voltage :** 125 VAC

**Wire :** 3

**Environmental Specifications**

**Flammability :** Rated V-2 per UL94

**Operating Temperature :** -40°C to 60°C

**Material Specifications**

**Body Material :** Thermoplastic

**Face Material :** Thermoplastic

**Ground Clips :** Brass

**Grounding Screw :** Plated Steel

**Line Contacts :** Brass .031 Thick

**Shutter Mechanism :** Delrin® Acetal

**Strap Material :** Zinc-Plated Steel

**Terminal Screws :** Plated Steel

**Mechanical Specifications**

**Product ID :** Ratings are permanently marked on device

**Terminal Accom. :** 10-14 AWG

**Terminal ID :** Brass-Hot, Green-Ground, Silver-Neutral

**Termination :** Side Wire

**Wire Type :** Solid or Stranded Building Wire

**Product Features**

**Color :** Ivory

**Device Type :** Duplex Receptacle Outlet

**Feature 2 :** Tamper-Resistant

**Feature 4 :** Smooth Face

**Grade :** Commercial Specification Grade

**Standards and Certifications**

**ANSI :** C-73

**NEMA :** WD-1 & WD-6

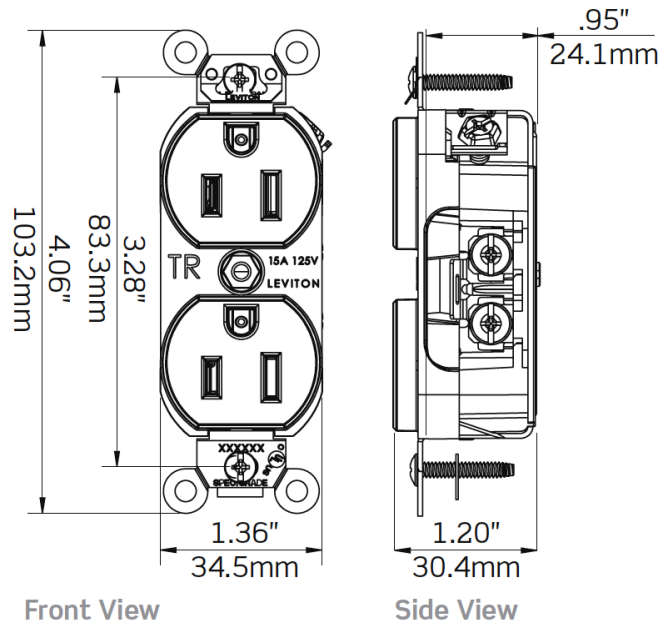
**NOM :** 057

**cULus :** File E13399

**Warranty**

**Warranty :** 10-Year Limited

**Typical for Commercial Spec Grade TR Receptacles**



## SPECIFICATION SUBMITTAL

JOB NAME: <input type="text"/>	CATALOG NUMBERS: <input type="text"/>	
JOB NUMBER: <input type="text"/>	<input type="text"/>	<input type="text"/>

**Leviton Manufacturing Co., Inc.**

201 North Service Road, Melville, NY 11747

Telephone: +1-800-323-8920 · FAX: +1-800-832-9538 · Tech Line (8:30AM-7:30PM E.S.T. Monday-Friday):

+1-800-824-3005

**Leviton Manufacturing of Canada, Ltd.**

165 Hymus Boulevard, Pointe Claire, Quebec H9R 1E9 · Telephone: +1-800-469-7890 ·

FAX: +1-800-824-3005 · [www.leviton.com/canada](http://www.leviton.com/canada)

**Leviton S. de R.L. de C.V.**

Lago Tana 43, Mexico DF, Mexico CP 11290 · Tel.: (+52)55-5082-1040 · FAX: (+52)5386-

1797 · [www.leviton.com.mx](http://www.leviton.com.mx)

**Visit our Website at: [www.leviton.com](http://www.leviton.com)**

© 2018 Leviton Manufacturing Co., Inc. All Rights Reserved. Subject to change without notice.

**Leviton has a global presence.**

If you would like to know where your local Leviton office is located please go to:

[www.leviton.com/international/contacts/](http://www.leviton.com/international/contacts/)

