



Adapts lanterns to sensor operation. Controls 500 Watts incandescent or 250 Watts Fluorescent. Adjusts to fit small or large size lanterns. Sensor moves 6" up or down to clear lanterns handle. Straight wall and clapboard plate provided. 180sensor with tilt-down adjustment.

Color: White

Weight: 1.0 lbs

<b>Project:</b>	<b>Type:</b>
<b>Prepared By:</b>	<b>Date:</b>

**Technical Specifications**

**Listings**

**UL Listing:**

Suitable for wet locations.

**Construction**

**Compatibility:**

Compatible with most electronic ballasts. Not compatible with instant start ballasts.

**Electrical**

**Voltage:**

120 volts AC 60 Hz.

**Manual Override:**

Double flip wall switch logic prevents activation by brief power outages. Resets after 8 hours. No extra wiring needed.

**Surge Protection:**

Withstands up to 3000 volts.

**RF Immunity:**

Circuits fully shielded for maximum radio frequency immunity.

**Relay On/Off Model:**

500 watts Incandescent or 250 watts Fluorescent @ 120V.

**Switching Capacity:**

Relay On/Off Model Switches 240 watts when lights are mounted to sensor. 500 watts Incandescent or 240 watts Fluorescent of remotely mounted lighting @ 120 volts.

**Sensor Characteristics**

**Time Adjustment:**

5 seconds to 15 minutes.

**Quick Test Time:**

5 second test time for fast installation. Works day or night.

**Photoelectric Control:**

Deactivates lights during daylight. Fully adjustable for 24 hour operation or custom applications.

**Detection:**

180° detection pattern with tilt-down adjustment.

**Other**

**"No Hands" Auto Testing:**

Auto mode starts after 4 minutes of testing. No adjustment needed.

**Warranty:**

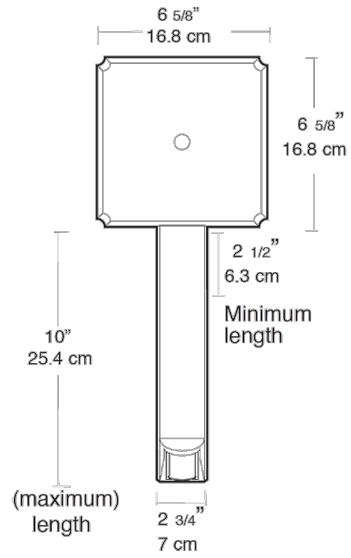
5 year sensor warranty.

**LED Characteristics**

**LED Detection Indicator:**

LED glows red day & night for "on guard" deterrence.

## Dimensions



## Features

- Surge protected
- 180 detection patterned
- Quick installation with 5 second test time and auto test logic
- LED "on guard" indicator
- Protected manual override with auto reset after 8 hours or at dawn