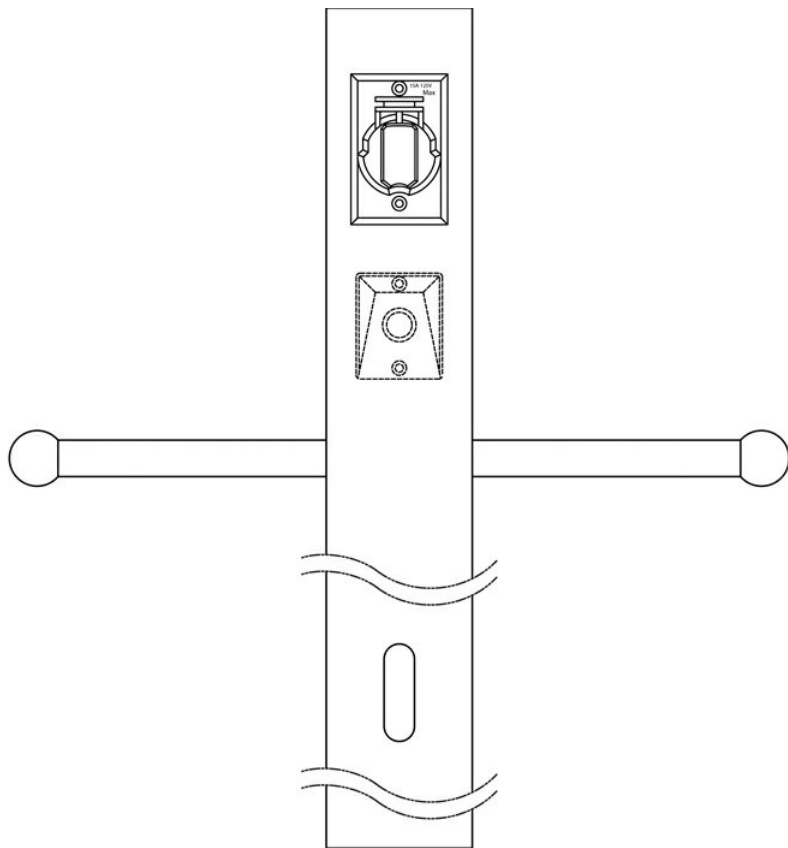


Post w/Ext Photoeye ladder rest and GCO AZ

49907AZ (Architectural Bronze)

Project Name: _____
Location: _____
Type: _____
Qty: _____
Comments: _____



Ordering Information

Product ID	49907AZ
Finish	Architectural Bronze
Available Finishes	BK, WH, AZ

Dimensions

Weight	3.85 LBS
--------	----------

Specifications

Material	Aluminum
----------	----------

Electrical

Voltage	120V
---------	------

Qualifications

Safety Rated	Not Required
Warranty	www.kichler.com/warranty

Primary Lamping

Lamp Included	Not Included
---------------	--------------

Dimensions

Height	84.00"
Width	3.00"

Notes:

- 1) Information provided is subject to change without notice. All values are design or typical values when measured under laboratory conditions.
- 2) Incandescent Equivalent: The incandescent equivalent as presented is an approximate number and is for reference only.