

42080-8IP



UPC Code: 07847795160

Country Of Origin: United States

Brand Features

Leviton single-gang and dual-gang wallplates accept QuickPort snap-in modules to support multimedia station applications with 1, 2, 3, 4, 6, 8, and 12 ports. Use where port designation windows in a single-gang or dual-gang economical flush-mount housing is desired. Available in five colors: white, light almond, grey, ivory, and black.

Item Description

Dual-Gang QuickPort Wallplate with ID Windows, 8-Port, Ivory

Technical Information

Environmental Specifications

Flammability: UL94V-O

Material Specifications

Material: High-Impact Plastic

Color: Ivory

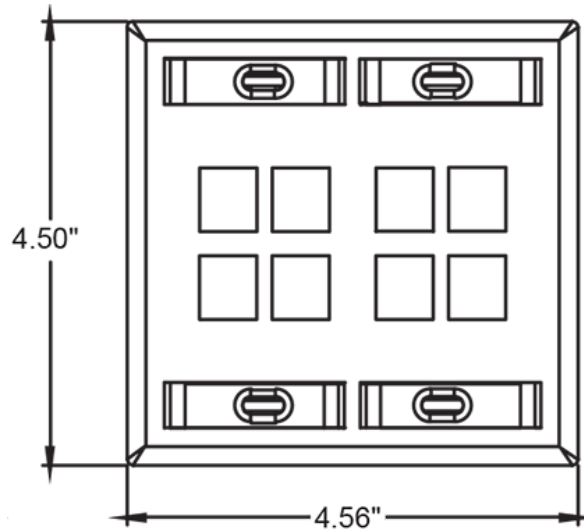
Product Features

Standards and Certifications: UL/CSA

Feature: 4 Designation ID Windows

Features and Benefits

- Includes ID designation windows for each wallplate
- Color-matched wallplate screws
- Fits within minimum rectangular NEMA openings
- Compatible with all individual QuickPort modules
- Individual port configurability allows specification flexibility
- Narrow module width allows high port density in a small area



SPECIFICATION SUBMITTAL

JOB NAME:	CATALOG NUMBERS:	
<input type="text"/>	<input type="text"/>	<input type="text"/>
JOB NUMBER:	<input type="text"/>	<input type="text"/>

Leviton Manufacturing Co., Inc.

201 North Service Road, Melville, NY 11747

Teléfono: +1-800-323-8920 · FAX: +1-800-832-9538 · Tech Line (8:30AM-7:30PM E.S.T. Monday-Friday): +1-800-824-3005

Leviton Manufacturing of Canada, Ltd.

165 Hymus Boulevard, Pointe Claire, Quebec H9R 1E9 · Telephone: +1-800-469-7890 ·

FAX: +1-800-824-3005 · www.leviton.com/canada

Leviton S. de R.L. de C.V.

Lago Tana 43, Mexico DF, Mexico CP 11290 · Tel.: (+52)55-5082-1040 · FAX: (+52)5386-

1797 · www.leviton.com.mx

Visit our Website at: www.leviton.com

© 2018 Leviton Manufacturing Co., Inc. Todos los derechos reservados. Subject to change without notice.

Leviton has a global presence.

If you would like to know where your local Leviton office is located please go to:

www.leviton.com/international/contacts/

