

MONORAIL

MonoRail Center Power Feed Single-Feed

DESCRIPTION

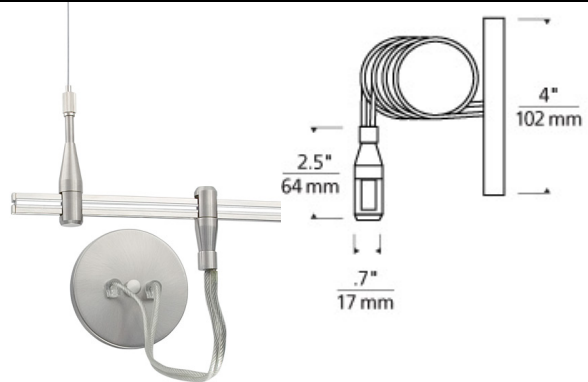
Center Power Feeds are generally used to bring power to a MonoRail system when the transformer or canopy cannot be located directly above the run. The center power feed can be used anywhere within the run and includes a removable 4" round canopy and 12' of field-cutable softwire leads. Specify dual-feed when using a dual-feed transformer. Dual-feed canopy includes isolating connectors.

INSTALLATION

This product can mount to either a 4" square electrical box with round plaster ring or an octagon electrical box (not included), directly to a remote transformer, or to a Kable Lite Surface Transformer (sold separately).

WEIGHT

1.95lb / 0.88kg ±



monorail center
power feed single-
feed

ORDERING INFORMATION

700MOPCEN SHAPE OR SIZE

4" ROUND CENTER POWER FEED

FINISH

Z ANTIQUE BRONZE
S SATIN NICKEL



TECH LIGHTING®
7400 Linder Avenue T 847.410.4400
Skokie, Illinois 60077 F 847.410.4500
Tech Lighting, L.L.C.

700MOPCEN

FIXTURE TYPE:

JOB NAME:

NOTES:



©2018 Tech Lighting, L.L.C. All Rights Reserved. The "Tech Lighting" graphic is a registered trademark of Tech Lighting, L.L.C. Tech Lighting reserves the right to change specifications for product improvements without notification.