

# TOTALtUBE® T8 BALLAST COMPATIBLE & LINE VOLTAGE | PLUG & PLAY



Compatible with almost all fluorescent ballasts or wired to line voltage with shunted or non-shunted sockets. High on the DLC list with industry leading LPW. Easiest possible upgrade to LED, simply remove fluorescent tube and install the LED TOTALtUBE. Available in 24in., 36in., 48in. Patented fully diffused lens cover for uniform, glare free illumination. Non Dimmable.

PROJECT NAME

PART NUMBER


## PART NUMBER BUILDER

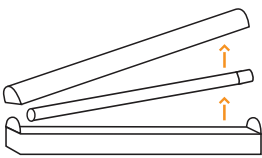
| MANUFACTURER | MODEL NUMBER | LAMP STYLE | LENGTH | COLOR TEMPERATURE |
|--------------|--------------|------------|--------|-------------------|
| RPT          | TOTALtUBE    | T8         |        |                   |
|              |              |            | 24IN   | 3000K             |
|              |              |            | 36IN   | 3500K             |
|              |              |            | 48IN   | 4000K             |
|              |              |            | 48INHO | 5000K             |
|              |              |            | 24INU  |                   |

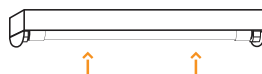
### ORDERING EXAMPLE


RPT-TOTALTUBE-T8-48IN-4000K

## INSTALLATION GUIDE

- 

Turn off circuit breaker that supplies power to the fixture.
- 

Remove lens or diffusion cover on the lighting fixture. Remove existing fluorescent tube. Remove ballast if wiring LED tube to line voltage.
- 

Install TOTALtUBE. If wiring to line voltage, SINGLE or DOUBLE ENDED power is acceptable. Shunted or Non-shunted lampholders can be utilized.
- 

Replace lens or diffusion cover. Switch on your lights!

Simplified instructions. Reference full installation guide for more details. Only qualified personnel should perform installation.

## QUICK SPECS

|                  |                                    |
|------------------|------------------------------------|
| INPUT VOLTAGE    | 120-277V AC or Fluorescent Ballast |
| EFFICACY         | >105 lumens/watt                   |
| OPERATING TEMP   | -30°C to 45°C                      |
| MAX CASE TEMP    | 50°C                               |
| POWER FACTOR/THD | >0.90 Power Factor, THD<10%        |
| CRI              | 83+                                |
| WARRANTY         | 5 years                            |

### CERTIFICATIONS

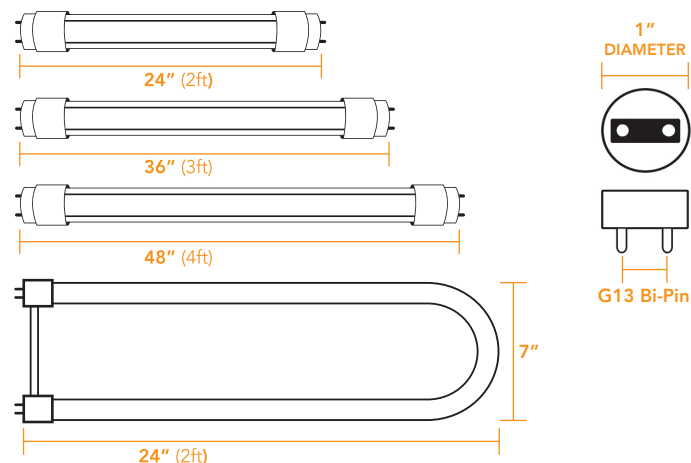


### PERFORMANCE LISTINGS



May be protected under the following US patents  
US 8,106569 | US 8,882,298 | Additional patents pending.

## DIMENSIONS



# TOTALtUBE® T8 BALLAST COMPATIBLE & LINE VOLTAGE | PLUG & PLAY

## ORDERING GUIDE

| QUICK SHIP | DLC E* | PART #                        | LUMEN OUTPUT (LM) | WATTAGE (W) | CCT (K) | VOLTAGE RANGE (V AC) | WARRANTY (YRS) | TRADITIONAL EQUIVALENT | WATTS SAVED (W) |
|------------|--------|-------------------------------|-------------------|-------------|---------|----------------------|----------------|------------------------|-----------------|
|            | DLC    | RPT-TOTALTUBE-T8-24IN-3000K   | 1200              | 10          | 3000    | 120-277*             | 5              | 20W T8 FL              | 10              |
|            | DLC    | RPT-TOTALTUBE-T8-24IN-3500K   | 1250              | 10          | 3500    | 120-277*             | 5              | 20W T8 FL              | 10              |
| X          | DLC    | RPT-TOTALTUBE-T8-24IN-4000K   | 1250              | 10          | 4000    | 120-277*             | 5              | 20W T8 FL              | 10              |
|            | DLC    | RPT-TOTALTUBE-T8-24IN-5000K   | 1250              | 10          | 5000    | 120-277*             | 5              | 20W T8 FL              | 10              |
|            |        | RPT-TOTALTUBE-T8-36IN-3000K   | 1800              | 15          | 3000    | 120-277*             | 5              | 25W T8 FL              | 10              |
|            |        | RPT-TOTALTUBE-T8-36IN-3500K   | 1900              | 15          | 3500    | 120-277*             | 5              | 25W T8 FL              | 10              |
|            |        | RPT-TOTALTUBE-T8-36IN-4000K   | 1900              | 15          | 4000    | 120-277*             | 5              | 25W T8 FL              | 10              |
|            |        | RPT-TOTALTUBE-T8-36IN-5000K   | 1900              | 15          | 5000    | 120-277*             | 5              | 25W T8 FL              | 10              |
| X          | DLC    | RPT-TOTALTUBE-T8-48IN-3000K   | 1800              | 15          | 3000    | 120-277*             | 5              | 32W T8 FL              | 17              |
|            | DLC    | RPT-TOTALTUBE-T8-48IN-3500K   | 1900              | 15          | 3500    | 120-277*             | 5              | 32W T8 FL              | 17              |
| X          | DLC    | RPT-TOTALTUBE-T8-48IN-4000K   | 1900              | 15          | 4000    | 120-277*             | 5              | 32W T8 FL              | 17              |
| X          | DLC    | RPT-TOTALTUBE-T8-48IN-5000K   | 1900              | 15          | 5000    | 120-277*             | 5              | 32W T8 FL              | 17              |
|            | DLC    | RPT-TOTALTUBEHO-T8-48IN-4000K | 2200              | 18          | 4000    | 120-277*             | 5              | 38W T8 FL              | 20              |
| X          | DLC    | RPT-TOTALTUBE-T8-24INU-3000K  | 1800              | 15          | 3000    | 120-277*             | 5              | 32W T8 FL              | 17              |
|            | DLC    | RPT-TOTALTUBE-T8-24INU-3500K  | 1900              | 15          | 3500    | 120-277*             | 5              | 32W T8 FL              | 17              |
| X          | DLC    | RPT-TOTALTUBE-T8-24INU-4000K  | 1900              | 15          | 4000    | 120-277*             | 5              | 32W T8 FL              | 17              |

\* 120-277 V AC or Fluorescent ballast

## WATTAGE AND LUMEN OUTPUT INFORMATION

| PART #                   | BALLAST TYPE               | BALLAST FACTOR | TOTALTUBE® WATTAGE | SYSTEM WATTAGE* | TOTALTUBE® LUMENS |
|--------------------------|----------------------------|----------------|--------------------|-----------------|-------------------|
| RPT-TOTALTUBE-T8-24IN    | Line Voltage (120-277V AC) | NA             | 10W                | 10W             | 1250LM            |
|                          | Instant Start              | Normal 0.88    | 10W                | 12W             | 1250LM            |
|                          | Instant Start              | Low 0.78       | 8W                 | 10W             | 1000LM            |
|                          | Instant Start              | High 1.18      | 15W                | 17W             | 1500LM            |
| RPT-TOTALTUBE-T8-36IN    | Line Voltage (120-277V AC) | NA             | 15W                | 15W             | 1900LM            |
|                          | Instant Start              | Normal 0.88    | 15W                | 17.5W           | 1900LM            |
|                          | Instant Start              | Low 0.78       | 13W                | 15.5W           | 1680LM            |
|                          | Instant Start              | High 1.18      | 20W                | 23.5W           | 2150LM            |
| RPT-TOTALTUBE-T8-48IN    | Line Voltage (120-277V AC) | NA             | 15W                | 15W             | 1900LM            |
|                          | Instant Start              | Normal 0.88    | 15W                | 17.5W           | 1900LM            |
|                          | Instant Start              | Low 0.78       | 13W                | 15.5W           | 1680LM            |
|                          | Instant Start              | High 1.18      | 20W                | 23.5W           | 2150LM            |
| RPT-TOTALTUBE-T8 HO-48IN | Line Voltage (120-277V AC) | NA             | 18W                | 18W             | 2200LM            |
|                          | Instant Start              | Normal 0.88    | 18W                | 20W             | 2200LM            |
|                          | Instant Start              | Low 0.78       | 15W                | 17.5W           | 1650LM            |
|                          | Instant Start              | High 1.18      | 23W                | 26.8W           | 2400LM            |
| RPT-TOTALTUBE-T8-24INU   | Line Voltage (120-277V AC) | NA             | 15W                | 15W             | 1900LM            |
|                          | Instant Start              | Normal 0.88    | 15W                | 17.5W           | 1900LM            |
|                          | Instant Start              | Low 0.78       | 13W                | 15.5W           | 1680LM            |
|                          | Instant Start              | High 1.18      | 20W                | 23.5W           | 2150LM            |

\* Wattage is calculated by measuring the average system wattage for a single LED tube including ballast. Average system wattage was measured at 120V and 277V with multiple ballasts from Philips, Sylvania, OSRAM, GE, Keystone, Sunpark, Howard. See table with actual test results for more detailed information on performance with specific ballasts.

Printed on paper that is FSC® Certified, SFI® Certified Sourcing and Rainforest Alliance Certified™. 10% post consumer recycled content and certified fiber, it's the optimal environmental choice, because RemPhos cares.

