

THINK_{of the} POSSIBILITIES

INFINA™

The revolutionary AC LED Flexible Light Strip.

- Power a continuous run of over 150 feet with one line voltage feed
- AC technology eliminates external drivers, removing the weakest link in the lighting system
- Driverless design lowers upfront, installation and maintenance costs
- Architectural grade, ultra high output
- Smooth ELV dimming

Our patent pending, award winning driverless AC LED solutions will inspire you to unleash your greatest creative visions.



INFINA

DESIGNED FOR CREATIVITY, BUILT FOR SOLUTIONS

 **JESCO**
LIGHTING GROUP

JESCOLIGHTING.COM



INFINA

DESIGNED FOR CREATIVITY, BUILT FOR SOLUTIONS



FEATURES

ARCHITECTURAL GRADE

- Incorporates JESCO's exclusive Driverless AC LED Technology
- High output 3 Step MacAdam LEDs ensure consistent color output
- Patent Pending Constant Current IC's provide uniform intensity over the entire run
- Patent Pending Keyed Connector System
- Smooth ELV Dimming

ULTRA-HIGH LUMEN OUTPUT

- Provides up to 555 Lm from 4.95W with an efficacy of 112 Lm/W†
- Patent Pending optically clear thermoplastic jacket

ULTRA LONG RUN

- 150 foot run length
- Uniform intensity and color throughout the entire run
- Quick Installation with channels or clips

50,000 HOUR LIFE

- No in-line or remote drivers mean that the weakest link in the LED system is eliminated guaranteeing a long lifetime
- 5 Year Limited Warranty

DL-AC-FLEX

FLEXIBLE LINE VOLTAGE LED LINEAR STRIP

LED	120V AC	4.95 W/Ft	555 [†] Lm/Ft
112 [†] Lm/W	80+ CRI	ELV	160°
WET*			

Input: 120V AC 50/60Hz

Dims: 3/4" W x 1/4" H

Max/Min Run: 150' / 4"

Dimming: ELV

Environment: In/Outdoors*, Dry, Damp & Wet

* Not submersible.
Not intended for applications where water can puddle or product can be covered by snow.

† Based on 4000K data.
Up to 1,000 Lm/Ft available - contact factory

Powered by
MAG LED

TO ORDER

MODEL - CCT

DL-AC-FLEX -

27 - 2700K

30 - 3000K

40 - 4000K

MOUNTING OPTIONS

	Model	Description
	DL-AC-FLEX-CH4	4' Mounting Channel
	DL-AC-FLEX-CH8	8' Mounting Channel (clear plastic with UV inhibitors)
	DL-AC-FLEX-MC	Mounting "U" Clip (clear plastic with UV inhibitors) Dims: 1/2" H x 1" W x 1" L

TERMINATION OPTIONS**

	Model	Description
	DL-AC-FLEX-PC2	2' Power Plug with surge protection
	DL-AC-FLEX-PC6	6' Power Plug with surge protection
	DL-AC-FLEX-100-PC2	2' Power Plug with surge protection for runs greater than 75'
	DL-AC-FLEX-CC3	3" Connecting Cable
	DL-AC-FLEX-CC6	6" Connecting Cable
	DL-AC-FLEX-CC12	12" Connecting Cable
	DL-AC-FLEX-CC24	24" Connecting Cable
	DL-AC-FLEX-EC	End Cap Note: End cap must be used at the end of every run and siliconed.

** Surge protector must not be removed

Pending UL approved Hard Wire termination option, available January 2015.

Specifications subject to change without notice.

See spec sheet or jescolighting.com for more details.



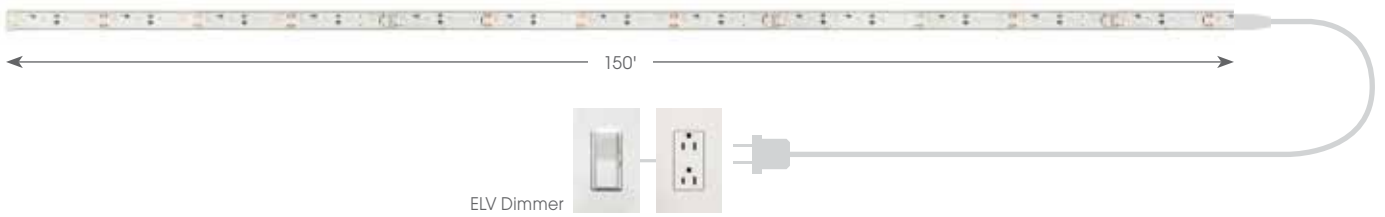


INSTALLATION COMPARISON

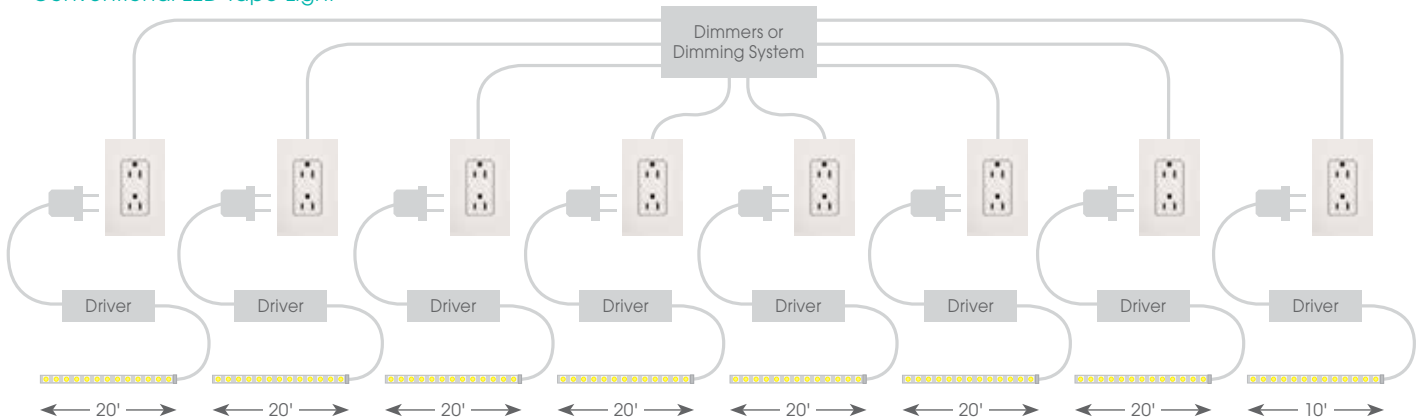
INFINA™ vs. Conventional LED Tape Light

Illustrated: Typical Installation of 150' Run

INFINA™



Conventional LED Tape Light



Besides the obvious savings in labor and material, INFINA™ also removes the possibility of any wiring issues, improper installation or problematic dimming control.



For more details and product specifications please visit
JESCOLIGHTING.COM



JESCO

LIGHTING GROUP

**NEW YORK
CORPORATE OFFICE**

15 Harbor Park Drive
Port Washington NY 11050
TEL 800 527 7796
FAX 855 265 5768

LOS ANGELES

219 South 6th Avenue
City Of Industry CA 91746
TEL 626 333 3661
TEL 855 654 0110
FAX 626 333 2955

JESCOLIGHTING.COM

info@jescolighting.com

© 2014 JESCO LIGHTING

LCAT-INFINA-PNP

