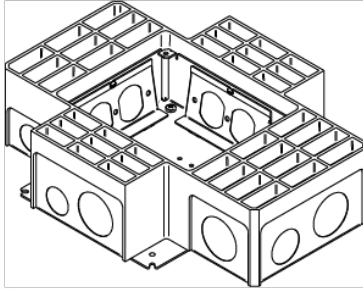


## RFB4-4DB SERIES FOUR-COMPARTMENT BOX WITH FOUR DUPLEX RECEPTACLE BRACKETS

RFB4-4DB | [Wiremold](#)



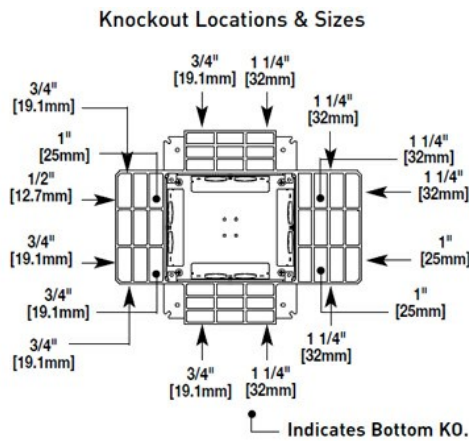
### FEATURES & BENEFITS

12 3/4" x 10" x 3 7/16" (324mm x 254mm x 87mm). Fully adjustable. Tunneling from adjacent or opposite compartments only, (not cross compartments). Tunneling can be set to feed all four compartments from one conduit in a single-service application. All boxes and covers are sold separately. NOTE: Only for use in concrete floors.



### SPECIFICATIONS

#### Knockout Sizes & Locations:



#### GENERAL INFO

Product Series: Resource RFB  
Component Type: Boxes

Knockout Size: 3/4"-1 1/4"

**CONSTRUCTION INFORMATION**

Installation Location: Above-Grade

**BUY AMERICAN ACT COMPLIANCE**

Country Of Origin: MULTIPLE

Buy American Act Status: Trade Agreement Act Compliant