

29W75



Color:  Yellow

UPC Code: 07847796878

Country Of Origin: United States

* Eligible for ARRA funded projects

NEMA:
L15-30R



Made in USA



29W75

Brand Features

Leviton's Wetguard products are the most versatile and well-engineered watertight devices on the market. They meet IP67 and NEMA ratings for water ingress protection, and offer many significant advantages over competitive brands.

Item Description

30 Amp, 250 Volt 3-Phase, NEMA L15-30R, 3P, 4W, Locking Connector, Industrial Grade, Grounding, Wetguard - YELLOW

Technical Information

Electrical Specifications

Dielectric Voltage: Withstands 2000V per UL498

Grounding: Grounding

Temperature Rise: Max 30C after 250 cycles OL at 200 percent rated current

Voltage: 250 Volt 3-Phase

Amperage: 30 Amp

Current Limiting: Full Rated Current

Wire: 4

Pole: 3

Environmental Specifications

Operating Temperature: -40C to 60C

Flammability: Rated V-2 per UL94

Material Specifications

Body Material: Santoprene TPV

Terminal Screws: Electroless Nickel-coated Brass

Wire Module: Nylon

Blades/Contacts: Electroless Nickel-coated Brass

Body Interior: Nylon

Bushing: Santoprene TPV

Compression Nut, Strain Relief: Nylon

Assembly Screws: Stainless Steel, Non-Magnetic

Mechanical Specifications

Product ID: Ratings and NEMA I.D. permanently marked on device

Cord Grip Range (in): .625-1.125

Terminal ID: Brass-Hot, Green-Ground, Silver-Neutral

Terminal Accom.: #12 to #8

Product Features

Color: Yellow

NEMA: L15-30R

Standards and Certifications

Warranty: Lifetime Warranty

CSA C22.2 No. 42: File LR-406

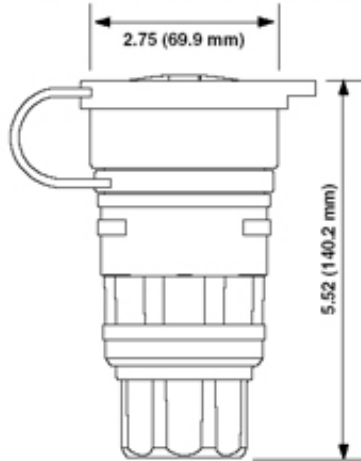
UL: 498

ANSI: C-73

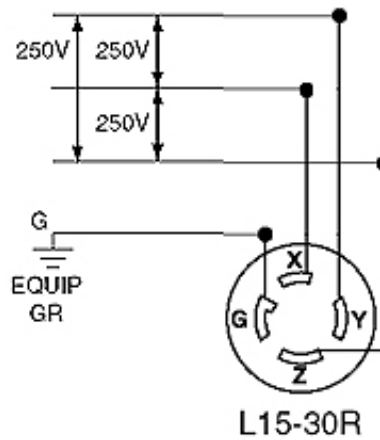
NOM: 057

NEMA: WD-6

Dimensional Diagram



Wiring Diagram



SPECIFICATION SUBMITTAL

JOB NAME:	CATALOG NUMBERS:	
<input type="text"/>	<input type="text"/>	<input type="text"/>
JOB NUMBER:	<input type="text"/>	<input type="text"/>

Leviton Manufacturing Co., Inc.

201 North Service Road, Melville, NY 11747

Teléfono: +1-800-323-8920 · FAX: +1-800-832-9538 · Tech Line (8:30AM-7:30PM E.S.T. Monday-Friday): +1-800-824-3005

Leviton Manufacturing of Canada, Ltd.

165 Hymus Boulevard, Pointe Claire, Quebec H9R 1E9 · Telephone: +1-800-469-7890 ·

FAX: +1-800-824-3005 · www.leviton.com/canada

Leviton S. de R.L. de C.V.

Lago Tana 43, Mexico DF, Mexico CP 11290 · Tel.: (+52)55-5082-1040 · FAX: (+52)5386-

1797 · www.leviton.com.mx

Visit our Website at: www.leviton.com

© 2012 Leviton Manufacturing Co., Inc. Todos los derechos reservados. Subject to change without notice.

Leviton has a global presence.

If you would like to know where your local Leviton office is located please go to:

www.leviton.com/international/contacts/



**Leviton is the smart choice, providing the most comprehensive range of solutions to meet the needs of today's residential, commercial and industrial buildings. Leveraging more than a century of experience, Leviton helps customers create sustainable, intelligent environments through its electrical wiring devices, network and data center connectivity solutions, and lighting energy management systems. From switches and receptacles, to daylight harvesting controls, networking systems, and equipment for charging electric vehicles, Leviton solutions help customers achieve savings in energy, time and cost, all while enhancing safety.*