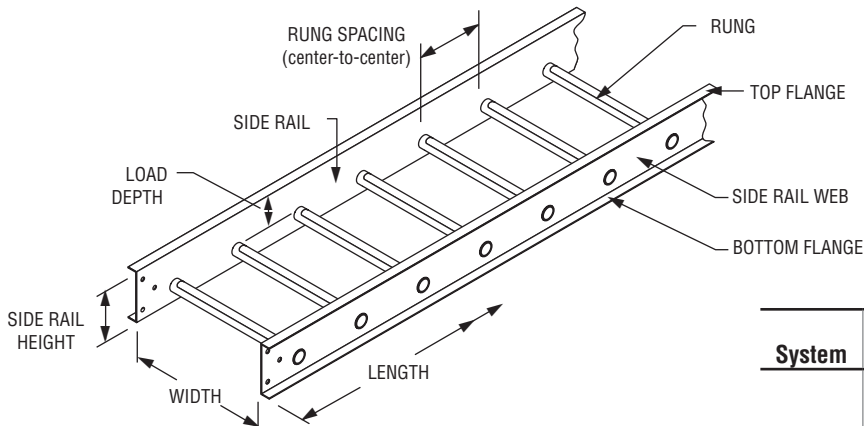


# LADDER CABLE TRAY SYSTEM

## Straight Length [SL]



**Note:** Standard flange out system shown. Contact the factory for flange in systems.

**Catalog Number**

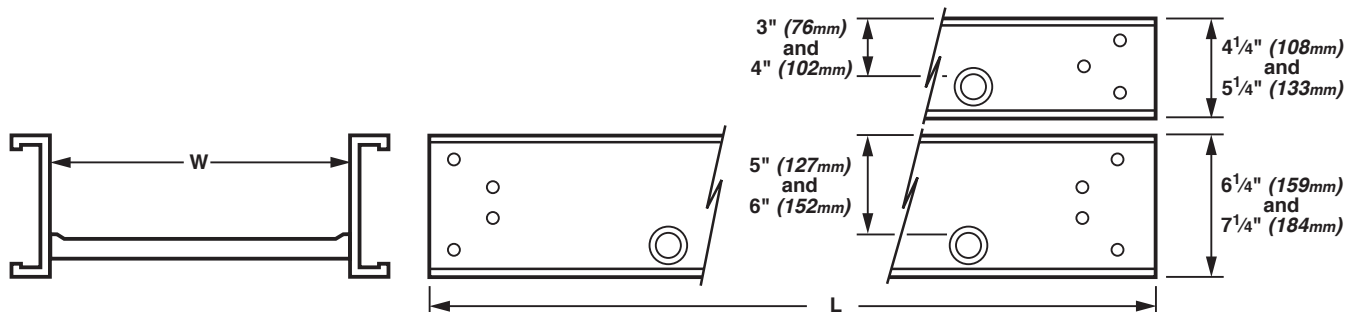
System	Width	Basic No.	Length	Rung Spacing
See Pages 26-30	-06=6" (152mm)	SL	<b>NEMA</b>	-06=6" (152mm)
	-09=9" (229mm)		12' (3.7m)*	-09=9" (229mm)
	-12=12" (305mm)		24' (7.3m)*	-12=12" (305mm)
	-18=18" (457mm)		<b>CSA</b>	-18=18" (457mm)
	-24=24" (610mm)		-10' (3m)	
	-30=30" (762mm)		-20' (6m)	
	-36=36" (914mm)			

\*12' all NEMA Classes, 24' NEMA Classes 16A, 16B, 16C, 20A, 20B, 20C.

**EXAMPLE:** Catalog No. 1B48-06SL-12-09 is a 4-inch load depth aluminum ladder with a 1<sup>3</sup>/<sub>16</sub>" flange, 6 inches wide, straight length 12 feet long, rungs on 9" centers.

**Conversion Table**

	Conversion Table						CSA				
English	6"	9"	12"	18"	24"	30"	36"	12'	24'	10'	20'
Metric (mm)	152	229	305	457	610	762	914	3.7m	7.3m	3m	6m



**MATERIAL & FINISH SPECIFICATIONS (Ladder Cable Tray) – Siderails:** Mill-Galvanized Steel [6] ASTM A-653-G90 CS (18 & 16 Gage); ASTM A-653-G90 CS (14 & 12 Gage) Hot-Dip Galvanized after Fabrication ASTM A-123 [7] ASTM A-1008 (18 & 16 Gage); ASTM A-1011 (14 & 12 Gage) Aluminum [8] AA-6063-T6 Extruded Type 304 Stainless Steel [T] ASTM A-240; Type 304 Rungs: Mill-Galvanized Steel [6] ASTM A-653-G90 CS Hot-Dip Galvanized after Fabrication ASTM A-123 [7] ASTM A-1008 Aluminum [8] AA-6063-T6 Extruded; AA-6063-T832 Extruded; AA-6063-T52 Extruded Type 304 Stainless Steel [T] ASTM A-269; Type 304

Project: \_\_\_\_\_

Approval Stamp:

Architect / Engineer: \_\_\_\_\_

Date: \_\_\_\_\_ Phone: \_\_\_\_\_

Contractor: \_\_\_\_\_

Address: \_\_\_\_\_

Notes 1: \_\_\_\_\_

Notes 2: \_\_\_\_\_