

DESCRIPTION

The Night Falcon™ LED floodlight luminaire combines high-efficiency optics, superior thermal management and energy efficiency in a cost-effective solution. The compact, robust design incorporates a separate driver compartment for maximum heat dissipation to insure longevity of both the fixture and the LEDs. The Night Falcon luminaire uses precision engineered optics delivering superior uniformity and excellent illumination to the targeted application. Typical applications include area lighting for security, building facade lighting, accent and signage lighting in both commercial and industrial applications. The Night Falcon luminaire is UL/cUL listed for wet locations and is IP66 rated.

SPECIFICATION FEATURES

Construction

Heavy-duty, die cast aluminum housing, driver compartment and driver housing door. A separate driver compartment and external fins provide optimal thermal management that result in longer LED and driver life. The housing, driver compartment and optical chamber are IP66 rated. Access to the driver for maintenance is achieved with a removable driver door using pan head screws. A one-piece silicone gasket seals the door to the fixture housing. The fixture is 3G vibration rated (ANSI C136.31) to ensure durability in area and site lighting applications.

Optics

The LED chamber incorporates a vacuum metalized reflector that provides high-efficiency illumination. Optics are precisely designed to shape the wide NEMA type 6H x 6V distribution, maximizing efficiency and application spacing. Clear glass tempered lens with full circumference form-in-place silicone gasket protects the optics from damage. Offered standard in 4000K (+/- 275K) CCT and minimum 70 CRI. Optional 5700K CCT and 3000K CCT and minimum 70 CRI are available.

Electrical

LED driver is mounted to the removable die-cast aluminum door for optimal heat sinking and ease of maintenance. 120-277V 50/60Hz, 347V 60Hz or 480V 60Hz operation. Integral 6kV surge is standard. 10kV/10kA common- and differential- mode surge protection available as an option. 0-10V dimming driver is available to accommodate controls capability such as dimming and occupancy. Standard NEMA 3-PIN twistlock photocontrol receptacle and NEMA 7-PIN twistlock photocontrol receptacles are available as options. Suitable for ambient temperatures from -40°C to 40°C. Optional 50°C HA (high ambient) available. 90% lumen maintenance greater than 50,000 hours per IESNA TM-21.

Accessories

Heavy-duty steel top and side visors control glare and spill light. 1/8" thick UV stabilized vandal guard shields glass lens from impact when mounted at low levels. Easy to install wire guard features a heavy-gauge welded construction with corrosion resistant polyester powder coat finish to protect glass from projected objects.

Catalog #		Type	
Project			
Comments		Date	
Prepared by			

Mounting

Mounting options include an integral die-cast aluminum slipfitter that is preset to a tilt of 45°. The knuckle base is supplied with a tooth lock adjustment that can be adjusted in 5° increments to provide flexibility in aiming the fixture from a variety of surfaces. Visual 15° adjustment indicators on the knuckle allow for 180° field rotation of the floodlight assembly. The slipfitter fits standard 2-3/8"-3" O.D. tenon. The trunnion mounting includes a 3/16" polyester powder coated galvanized steel trunnion with a 16/3 SOW cord. The trunnion mount uses an interlocking slide adjustment that is locked into place with a set screw.

Finish

Housing and cast parts finished in five-stage super TGIC polyester powder coat paint, 2.5 mil nominal thickness for superior protection against fade and wear. Standard color is carbon bronze. Additional colors available in summit white, grey and black. Consult your Eaton's Cooper Lighting business representative for a complete selection of standard colors.

Warranty

Five-year warranty.



**NFFLD
NIGHT FALCON**

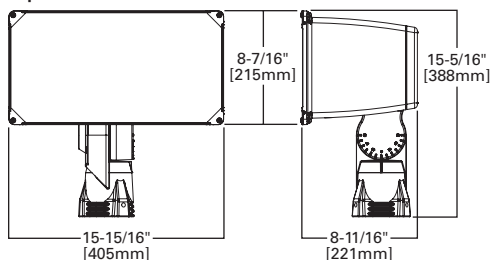
Solid State LED

FLOODLIGHT

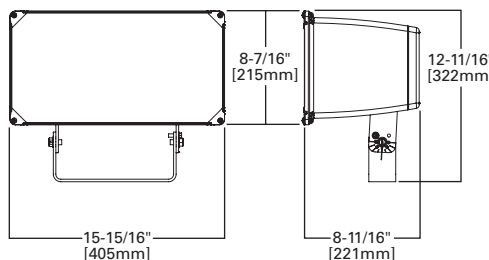


DIMENSIONS

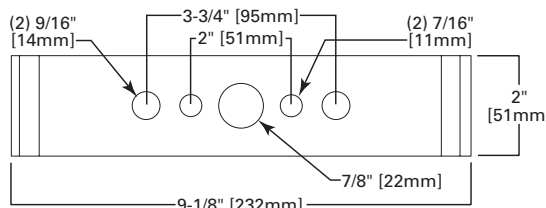
Slipfitter Mount



Trunnion Mount



TRUNNION MOUNT DRILL PATTERN



CERTIFICATION DATA

UL/cUL Wet Location Listed
 IP66 Fixture and Optical Chamber
 LM79/LM80 Compliant
 3G Vibration Rated
 RoHS Compliant
 DesignLights Consortium® Qualified*

ENERGY DATA

Electronic LED Driver
 > 0.9 Power Factor
 < 20% Total Harmonic Distortion
 120V 50/60Hz, 347V/60Hz and 480V/60Hz
 -40°C Minimum Ambient Temperature Rating
 +40°C Maximum Ambient Temperature Rating

EPA

Effective Projected Area (Sq. Ft.): 1.25

SHIPPING DATA

Approximate Net Weight:
 20 lbs. (9.09 kgs.)



POWER AND LUMENS

A25 LED	NFFLD-A25	NFFLD-A25-7060	NFFLD-A25-7030
Delivered Lumens	9,432	9,937	9,297
CCT (Kelvin)	4000K	5700K	3000K
CRI (Color Rendering Index)	70	70	70
NEMA Distribution (H x V)	6 x 6 Wide	6 x 6 Wide	6 x 6 Wide
Power Consumption (Watts)	85W	85W	85W
A40 LED	NFFLD-A40	NFFLD-A40-7060	NFFLD-A40-7030
Delivered Lumens	14,683	15,468	14,473
CCT (Kelvin)	4000K	5700K	3000K
CRI (Color Rendering Index)	70	70	70
NEMA Distribution (H x V)	6 x 6 Wide	6 x 6 Wide	6 x 6 Wide
Power Consumption (Watts)	129W	129W	129W

CURRENT DRAW

Voltage (V)	Model Series	
	NFFLD-A25	NFFLD-A40
	Current (A)	Current (A)
120V	1.105	1.697
208V	0.725	1.074
240V	0.631	0.973
277V	0.556	0.879
347V	0.372	0.591
480V	0.275	0.434

LUMEN MULTIPLIER

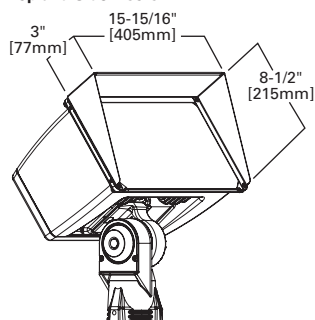
Ambient Temperature	Lumen Multiplier
10°C	1.04
15°C	1.03
25°C	1.00
40°C	0.96
50°C	0.92

LUMEN MAINTENANCE

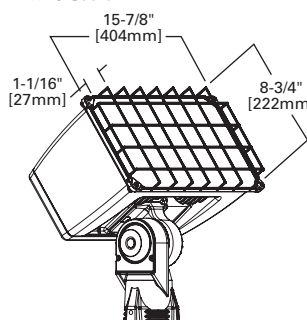
Ambient Temperature	TM-21 Lumen Maintenance (50,000 Hours)	Theoretical L70 (Hours)
NFFLD-A25		
25°C	> 93%	> 300,000
40°C	> 93%	> 295,000
50°C	> 92%	> 285,000
NFFLD-A40		
25°C	> 93%	> 290,000
40°C	> 92%	> 285,000
50°C	> 92%	> 280,000

ACCESSORIES

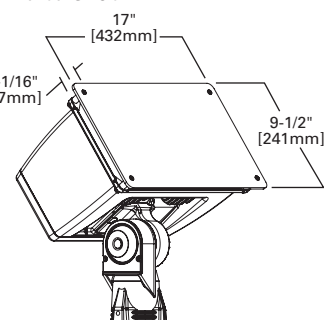
Top and Side Visors



Wire Guard



Vandal Shield



ORDERING INFORMATION

Sample Number: NFFLD-A40-E-UNV-66-S-CB-PER

Product Family ¹	Light Engine ²	Driver ³	Voltage	Distribution	Mounting	Color
NFFLD=Night Falcon LED Floodlight	A25=9,400 Nominal Lumens A40=14,600 Nominal Lumens	E=Non-Dimming D=Dimming (0-10V)	UNV=120-277V 347=347V ⁴ 480=480V ⁴	66=NEMA 6H x6V Wide	S=Slipfitter ⁵ T=Trunnion	CB=Carbon Bronze (Standard) BK=Black AP=Grey WHT=Summit White
Options (Add as Suffix)				Accessories (Order Separately) ⁸		
7030=70 CRI / 3000K ⁶ 7060=70 CRI / 5700K ⁶ PER=NEMA 3-PIN Twistlock Photocontrol Receptacle PER7=NEMA 7-PIN Twistlock Photocontrol Receptacle ⁷ 10K=10kV/10kA UL 1449 Surge Protective Device HA=50°C High Ambient Temperature D10=<10% Dimming ⁷				FA63=3" O.D. Surface Mount Bracket ⁹ OA1223=10kV/10kA UL 1449 Surge Protective Device Replacement OA/RA1013=Photocontrol Shorting Cap OA/RA1014=NEMA Photocontrol - 120V OA/RA1016=NEMA Photocontrol - Multi-Tap OA/RA1027=NEMA Photocontrol - 480V OA/RA1201=NEMA Photocontrol - 347V RAB-XX=Right Angle Pipe Bracket for Slipfitter SAB-XX=Steel Angle Bracket for Trunnion TYS-XX=Slipfitter Adapter for 2-3/8", 3" or 3-1/2" O.D. Tenon ¹⁰ TS2/NFFLD-XX=Top and Side Visors ¹¹ VS/NFFLD=Vandal Shield ¹¹ WG/NFFLD=Wire Guard ¹¹		

NOTES:

- DesignLights Consortium® Qualified. Refer to www.designlights.org Qualified Products List under Family Models for details.
- Standard 4000K CCT and minimum 70 CRI. Consult IES file for actual lumen output.
- Consult factory for driver surge protection values.
- Not recommended for use with ungrounded, delta configured systems.
- Fits 2-3/8" to 3" O.D. tenon, wire leads run through slipfitter.
- Extended lead times apply. Use dedicated IES files for 3000K and 5700K when performing layouts. These files are published on the Night Falcon luminaire product page on the website.
- Must order with dimming driver.
- Replace XX with color designation. Additional brackets and adaptors available on the poles product page on the website.
- Not available with tenon mount.
- Not available with slipfitter mount.
- Cannot combine TS2 (Top and Side Visor), VS (Vandal Shield), or WG (Wire Guard), limited to one external guard per fixture.

STOCK ORDERING INFORMATION

Stock Sample Number: NFFLD-A40-S

Series	Light Engine	Mounting	Voltage
NFFLD=Night Falcon	A25=9,400 Nominal Lumens A40=14,600 Nominal Lumens	S=Slipfitter T=Trunnion	[BLANK]=120-277V 347=347V

NOTES: Options not available with stock products. Order accessories as separate items for field installation. Refer to standard ordering information to add options. Refer to In-Stock Guide for availability. Stock fixture is 4000K, non-dimming, 120-277V or 347V, carbon bronze only.