

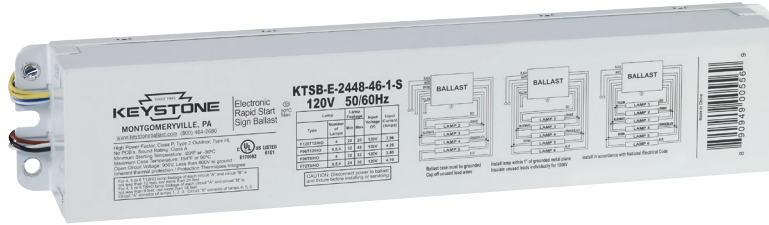


KTSE-E-2448-46-1-S

SMARTWIRE™ ELECTRONIC SIGN BALLAST

DESCRIPTION

4-6 Lamps | T8HO or T12HO | 24'-48' Combined Lamp Length | Series Wiring



STARTING METHOD: Rapid Start **INPUT VOLTAGE:** 120VAC ±10% **LAMP CONNECTION:** Series **INPUT FREQUENCY:** 60 Hz

PRODUCT FEATURES

- Sound Rated: A
- Minimum Starting Temperature: -20°F, -30°C
- Maximum Case Temperature: 194°F, 90°C
- Meets FCC Part 18 (Class A) Non-Consumer Limits
- UL, cUL 935 Listed, Class P, Type 2 Outdoor, Type HL
- Open Circuit Voltage: 1000V

ELECTRICAL SPECIFICATIONS FOR COMMON CONFIGURATIONS*

Lamp Type	No. of Lamps	Input Volts	Input Watts	Input Current (Amps)	Power Factor	Crest Factor
F96T12/HO, 110W	6	120	506	4.25	>0.90	<1.70
F96T12/HO, 110W	5	120	430	3.65	>0.90	<1.70
F96T12/HO, 110W	4	120	372	3.20	>0.90	<1.70
F120T12/HO, 135W	4	120	460	3.96	>0.90	<1.70
F96T8/HO, 86W	4	120	442	3.80	>0.90	<1.70
F72T8/HO, 65W	6	120	477	4.10	>0.90	<1.70
F72T8/HO, 65W	5	120	417	3.59	>0.90	<1.70
F72T8/HO, 65W	4	120	367	3.16	>0.90	<1.70

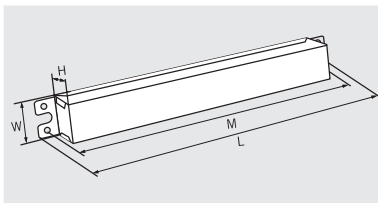
*Consult factory for additional sign configurations.

LAMP FOOTAGE

Lamp Type	Minimum	Maximum
T12HO	24'	48'
T8HO	18'	36'

MECHANICAL SPECIFICATIONS

CASE DIMENSIONS



LENGTH	16.25"
WIDTH	3.20"
HEIGHT	2.15"
MOUNTING	15.62"
CASE STYLE	L31

STANDARD LEAD LENGTHS*

WHITE	24"
BLACK	24"
RED	50"
YELLOW	50"
BLUE	70"
ORANGE	70"
ORANGE/BLACK	70"
BROWN	70"
BLUE/WHITE	70"

Lead wires are 18 AWG 105°C/600V, solid copper.

CASE MATERIAL: Metal

*Consult Keystone for special lead length requirements.

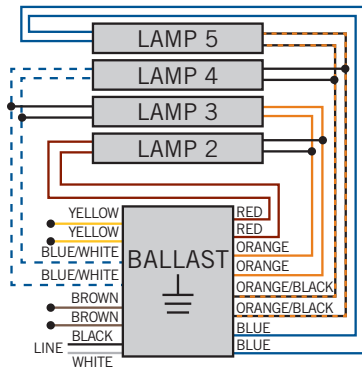
FOR INSTALLATION PURPOSES

Ballast consists of two lamp circuits - Circuit A and Circuit B. Circuit A consists of lamps 1, 2, 3 and Circuit B consists of lamps 4, 5, 6.

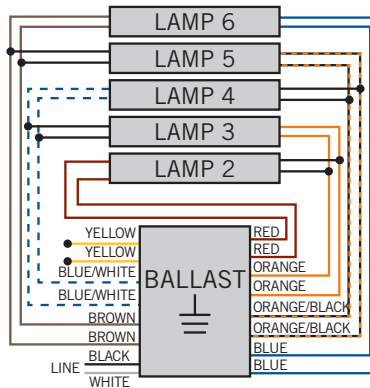
- Each lamp circuit can drive 2 or 3 T12HO lamps in any combination from 12'-24'.
- Each lamp circuit can drive 2 or 3 T8HO lamps in any combination from 9'-18'.

Each lamp circuit should be balanced with equal lamp load (footage).

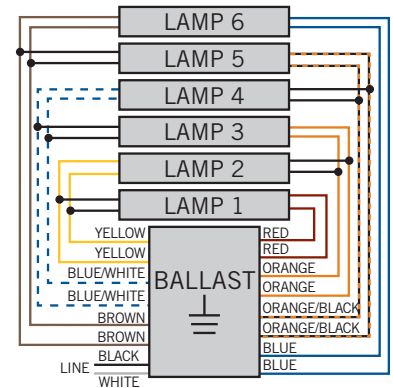
WIRING DIAGRAMS



Four Lamp Application, Cap Off
Unused Leads Individually



Five Lamp Application, Cap Off
Unused Leads Individually



Six Lamp Application

HOT SPOT LOCATION



Actual tc point is noted on each ballast label.

ORDERING INFORMATION

ORDER CODE	PACKAGING STYLE	PACK QTY.	ITEM STATUS
KTSB-E-2448-46-1-S-IP	Individually Packaged	1	Quick Ship

CATALOG NUMBER BREAKDOWN

KTSB - E - 2448 - 46 - 1 - S - IP



*Minimum and maximum total lamp length based on T12HO lamps.