

Edwards® 340A Series AC AdaptaBuzzer™



Features

- Vibrating armature
- Adaptable® mounting
- Plug-in convenience

Description

Edwards AC vibrating AdaptaBuzzers are the finest, heavy duty buzzers available. The buzzers are volume adjustable.

Agency Approvals

- UL Listed
- FM Approved

Specifications

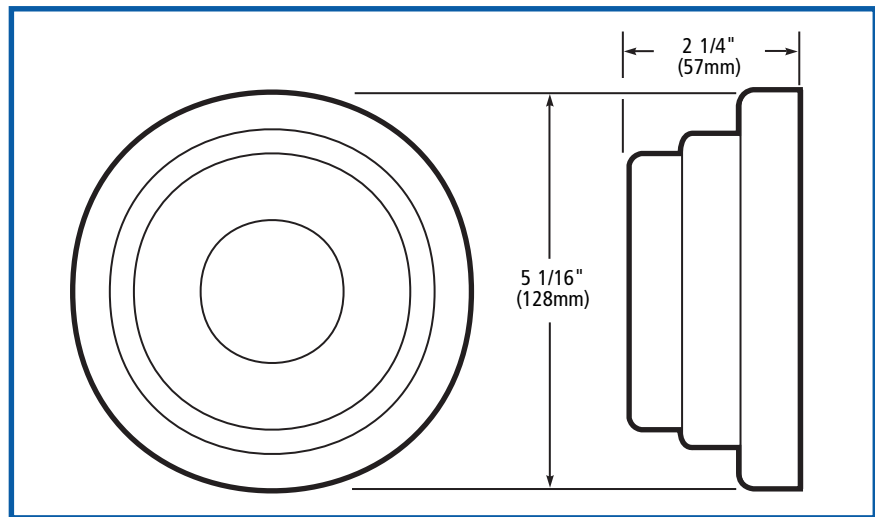
- Corrosion resistant heat flowed epoxy finish

Installation

Universal Adaptable® mounts directly on any single-gang box, 3 1/4" (83 mm), 3 1/2" (89 mm), or 4" (102 mm) octagon box. Buzzer plugs into receptacle on mounting plate. For flush mounting accessories see AdaptaBel® Accessories Catalog page 5-8.

Applications

Used for timing, scheduling, and paging applications. Use wherever a relatively low decibel signal of a different tone is required.



Cat No.	Volts	Amps	VA	dB at 10 ft.	DC Coil Res (Ohms)
340A-G5	24V 50/60 Hz	0.250	6.0		28
340A-N5	120V 50/60 Hz	0.050	6.0	70	725
340A-R5	240V 50/60 Hz	0.025	6.0		2900

ADAPTABUZZER is a trademark of Edwards.