

FEATURES

- Attractive fluorescent architectural recessed luminaire
- Precision optical design produces high efficiency in a high visual comfort architecturally styled direct/indirect distribution
- Available for use with T8, T5 or T5HO linear fluorescent lamps
- Custom perforated metal basket is backed by a high transmission lamp-obscuring overlay
- Optimized coating process and unique paint formulation provide exceptional reflectivity in a matte finish for a soft visual image and balanced basket and reflector illumination
- Completely recessed, provides a clean ceiling with uniform illumination at mounting heights as low as 8 feet
- Optional acrylic dust guard pivots to seal lamp compartment against contaminants especially for schools, medical facilities and public spaces
- Companion Louvered (STEL), side basket (STS) and pendant (STP) models available
- Recessed, surface or cable mount
- Available with exclusive wiHUBB technology preinstalled
 - Peer to peer, self-healing wireless mesh network
 - Integrated control system for 0-10VDC or step dimming, or On/Off

PROJECT INFORMATION

Project Name _____

Type _____

Catalog No. _____

Date _____

CONSTRUCTION

Luminaire housing and end caps are die formed code gauge cold rolled steel. The sturdy reflector is stiffened with linear forms, profiled to a precision curve. Perforated basket with high transmission overlay for improved optical efficiency plus lamp obscuration. Basket and all reflective surfaces are finished after fabrication with unique formula high reflectivity matte white paint for soft, uniform indirect illumination.

Thermoplastic light traps snap into the housing at both ends of the basket to prevent light leaks. Basket hinges down for easy access to center wireway

INSTALLATION

An access plate is furnished with each recessed fixture for fast wiring connections without the necessity to open the fixture or wireway.

BALLASTS

Energy efficient, thermally protected, automatic resetting, Class P, high power factor, sound rated A, magnetic or electronic ballasts. CEE NEMA Premium compliant. Fixtures with two ballasts or emergency-equipped fixtures may require using end wireway access.

ELECTRICAL

Standard class "P", thermally protected, autoresetting HPF ballast, sound rated A. CEE NEMA Premium compliant. All ballast leads extend a minimum of 6" through access location. NEC/CEC-compliant ballast disconnect is standard.

CEILING COMPATIBILITY

Designed for recessed installation in standard inverted tee grid ceilings (G), recessed installation in hard ceilings (G with FK accessory), surface mount at ceiling plane (SM) or cable mount suspension below ceiling plane (CM). For type SG ceilings order G trim. Fixture will be regressed 3/8" from the face of the ceiling tee. For compatibility with specific ceilings contact your Hubbell Lighting representative. Four integral T-bar clips are located in the end caps. Contact your Columbia representative for compatibility information for specific ceiling types or for continuous row applications in hard ceilings.

CERTIFICATION

All luminaires are built to UL 1598 standards and bear appropriate UL and cUL or CSA labels. Damp location labeling is standard. Emergency-equipped fixtures labeled UL 924.

ORDERING INFORMATION

EXAMPLE STE22-217G-MPO-EU

STE	22	-	2	-	MPO	-	-	-	-
MODEL	NO. OF LAMPS		CEILING TYPE		SHIELDING		VOLTAGE		OPTIONS
STE Stratus® E-Series Recessed Indirect	2 Two		G Grid ¹ SM Surface Mount CM Cable Mount ²		MPO Metal Perf w/Overlay		U 120V-277V 347 347V		C388 3-Wire Flex C488 4-Wire Flex C588 5-Wire Flex EL Emergency Battery Pack, 350-450 Lumens EL141 Emergency Battery Pack, 1400 Lumens DG Dust Guard Clear Acrylic GLR Fast Blow Fuse GMF Slow Blow Fuse NYC NYC Compliant NYCU NYC Compliant, Union Label WIH wiHUBB Enabled ^{3,4} CP Chicago Plenum
SIZE		LAMP TYPE		BALLAST					
22 2' x 2'		14 2', T5: 14 Watt 17 2', T8: 17 Watt 24 2', T5HO: 24 Watt		E Electronic T8, Instant Start ED Electronic Dimming T8 and T5 (specify series) EP Electronic T5, T5HO, or T8, Programmed Start* *Contact factory for availability.					
ACCESSORIES (ORDER SEPARATELY)									
FK22 2' x 2' Single Flange Kit (Shipped separately)									
FKCR Flange Kit Row Adapter									
CM 48Y2SC3F 48" Cable Mount Kit for 2' wide Cable Mount Fixtures, 2 Wire									

¹ For drywall, order Flange Kit accessories separately.

² Order hanger accessories separately

³ Not available with Surface Mount ceiling types

⁴ In-Fixture Module Antenna adds 2" to overall fixture height at power fee location



PHOTOMETRIC DATA

Test 3490 Test Date 8/9/10

LUMINAIRE DATA

Luminaire	STE22-217G-MPO-EU Stratus, Recessed/Architectural 2 x 2 2-lamp with perforated metal basket and opal overlay
Ballast	B232IUNVP-B
Ballast Factor	0.91
Lamp	F17T8
Lumens per Lamp	1325
Watts	29
Shielding Angle	0° = 90 90° = 90
Spacing Criterion	0° = 1.20 90° = 1.32
Luminous Opening in Feet	Length: 1.92 Width: 1.92 Height: 0.00

ZONAL LUMEN SUMMARY

Zone	Lumens	% Lamp	% Fixt.
0-30	497	18.8	26.3
0-40	817	30.8	43.2
0-60	1466	55.3	77.5
0-90	1890	71.3	100.0
0-180	1890	71.3	100.0

ENERGY DATA

Total Luminaire Efficiency	71.3%
Luminaire Efficacy Rating (LER)	59
IESNA RP-1-1993 Compliance	Noncompliant
Comparative Yearly Lighting Energy Cost per 1000 Lumens	\$4.07 based on 3000 hrs. and \$0.08 per KWH

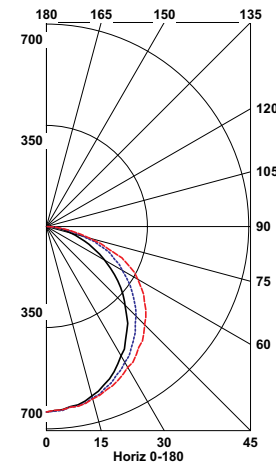
COEFFICIENTS OF UTILIZATION (%)

RCR	RW	80				70				50				0
		70	50	30	10	70	50	30	10	50	30	10	0	
1	77	74	71	68	75	72	69	67	69	67	65	59		
2	70	64	59	55	68	63	58	54	60	56	53	49		
3	64	56	50	45	62	55	50	45	53	48	44	41		
4	58	50	43	38	57	49	43	38	47	42	38	35		
5	54	44	38	33	52	43	37	33	42	36	32	30		
6	49	40	33	29	48	39	33	28	38	32	28	26		
7	46	36	30	25	45	35	29	25	34	29	25	23		
8	43	33	27	22	41	32	26	22	31	26	22	21		
9	40	30	24	20	39	30	24	20	29	24	20	18		
10	37	28	22	18	36	27	22	18	27	22	18	17		

RCR = Room Cavity Ratio

RC = Effective Ceiling Cavity Reflectance RW = Wall Reflectance

INDOOR CANDELA PLOT

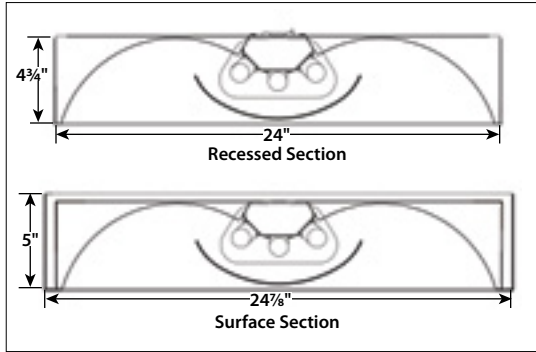


0.0 ——— 45.0 90.0 - - - - -

AVG. LUMINANCE (Candela/Sq. M.)

Average Luminance Angle	0.0	22.5	45.0	67.5	90.0
0	1872	1872	1872	1872	1872
30	1740	1763	1827	1878	1895
40	1666	1719	1822	1929	1967
45	1586	1664	1805	1933	1982
50	1531	1622	1799	1967	2035
55	1456	1578	1792	2006	2092
60	1355	1495	1769	2026	2132
65	1244	1430	1762	2045	2142
70	1127	1357	1716	1955	1964
75	993	1230	1512	1692	1749
80	942	1093	1312	1429	1497
85	771	905	1106	1173	1173

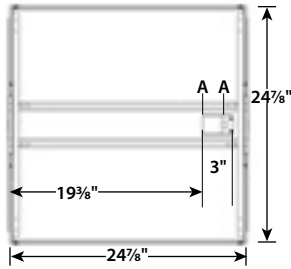
DIMENSIONAL DATA



Top View

Surface K.O. Dimensions

A: 2" x 3" Access with (2) 7/8" Mount Supply Knockouts



CEILING COMPATIBILITY

Type G Side



For lay-in installation in exposed grid ceilings. Maximum tee widths of 1" and maximum heights of 1 1/2" allowed.

Type SG Ceiling



For 3/8" slot grid type ceilings. Luminaire will be regressed 3/8" horizontal surface of the tee.

FK Flange Kit

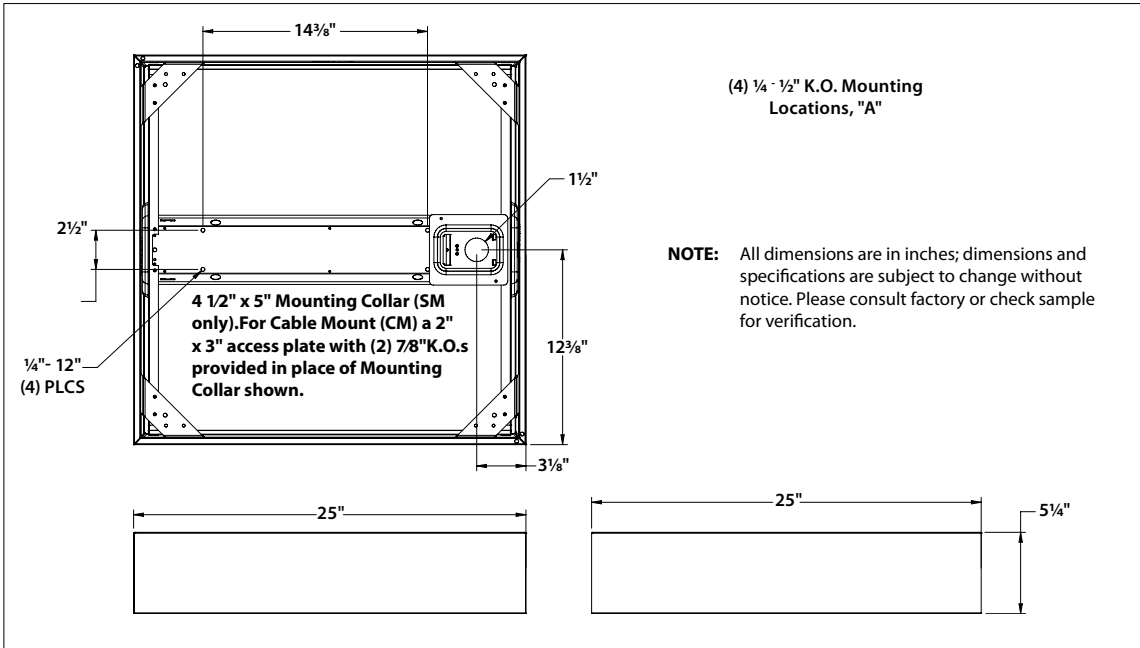


For hard ceiling applications, fixtures must be ordered with a flange kit that wires directly into the concealed ceiling opening for a clean finished appearance. For row configurations contact your local Columbia Representative.

Flange kit cut out dimension for single FK22 only: 24 3/8" x 24 3/8"

NOTE: All dimensions are in inches; dimensions and specifications are subject to change without notice. Please consult factory or check sample for verification.

DIMENSIONAL DATA - SURFACE OR CABLE MOUNT



SURFACE MOUNT

Order SM ceiling type. Mounting collar required for surface mounting. (4) Mounting knock outs, 1/4" to 1/2" provided as shown, marked "A".

CABLE MOUNT

Order CM ceiling type. Access plate supplied for cable mounting or suspension. Use CM48Y2C3F-KIT 48" cable mount kit. Includes 3 wire feed cord. For other wiring needs, contact Hubbell representative. Mounting knock-outs, 1/4" to 1/2", provided as shown, marked "A".