

FEATURES & SPECIFICATIONS

PHASEOUT — Limited quantities of this older style LDN6 are available while supplies last. Must choose "OS" when ordering.

INTENDED USE — Typical applications include corridors, lobbies, conference rooms and private offices.

CONSTRUCTION — 16-gauge galvanized steel mounting/plaster frame with trim clips to mount open conical shape reflector.

Vertically adjustable mounting brackets that use 16-gauge flat bar hangers (included), 1/2" conduit or C channel T-bar fasteners. Provides 3-3/4" total adjustment.

Post installation adjustment possible from above or below the ceiling.

Galvanized steel junction box with bottom-hinged access covers and spring latches. Two combination 1/2"-3/4" and three 1/2" knockouts for straight-through conduit runs. Capacity: 8 (4 in, 4 out) No. 12 AWG conductors, rated for 90°C.

Secondary housing adjustment system for precise, final ceiling-to-flange alignment.

Maximum 1-1/2" ceiling thickness.

OPTICS — LED light source with diffused lens, recessed in a deep reflector with a 55-degree cutoff. Aluminum full reflectors are optically designed to maximize lumen output and to provide superior glare control. Anodized trim colors for open and wallwash reflectors are available in clear, pewter, wheat or gold. White polyester powder coat also available.

Minimum CRI of 80.

ELECTRICAL — High-efficiency, eldoLED 0-10V dimming driver mounted to the junction box, dims luminaire to 10% of its light output. 1% dimming option available (see EZ1 ordering options below).

Dimming fixture requires two (2) additional low-voltage wires to be pulled.

For compatible dimmers and dimming range, refer to Dimmer Compatibility Chart on page 4.

The system maintains 70% lumen output for more than 50,000 hours.

LISTINGS — CSA certified to US and Canadian safety standards. Open downlight (LO6): Wet location listed. Wallwash downlight (LW6): Rated for damp and dry locations only. ENERGY STAR® certified.

WARRANTY — 5-year limited warranty. Complete warranty terms located at www.acuitybrands.com/CustomResources/Terms_and_conditions.aspx

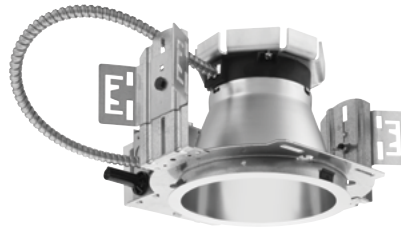
Actual performance may differ as a result of end-user environment and application.

All values are design or typical values, measured under laboratory conditions at 25 °C.

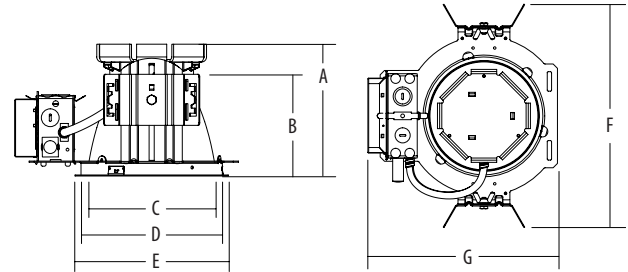
Catalog Number
Notes
Type

LDN6 OS

**6" OPEN and WALLWASH LED
Non-IC
New Construction Downlight**



LDN6 35/15 L06AR 120 OS



Overall height varies by lumen package. Reference dimension chart for details.

Maximum Overall Dimensions — All dimensions are inches (centimeters) unless otherwise indicated.							
Lumen package	(A) Height	(B) Frame height	(C) Aperture	(D) Ceiling opening	(E) Outside diameter	(F) Width	(G) Length
600 lm	6-7/16 (16.4)	5-3/4 (14.6)	6-15/16 (17.6)	7-1/8 (18.1)	7-1/2 (19.1)	12-15/16 (32.8)	10-15/16 (27.8)
1000 lm							
1500 lm							
2000 lm	7-13/16 (19.9)						

ORDERING INFORMATION

Lead times will vary depending on options selected. Consult with your sales representative.

Example: LDN6 35/15 L06AR 120 OS

Series	Color temperature	Lumens ^{1,2}	Reflector	Trim color	Finish	Voltage	Options	Version
LDN6	27/ 2700 K	06 600 lumens	L06 Open downlight	AR Clear	(blank) Semi-specular	120	EL Emergency battery pack with integral test switch ⁶	OS Old style ¹⁰
	30/ 3000 K	10 1000 lumens	LW6 Wallwash downlight ³	PR Pewter	LD Matte-diffuse	277	ELR Emergency battery pack with remote test switch ⁶	
	35/ 3500 K	15 1500 lumens		WTR Wheat	LS Specular	347 ⁵	SF Single fuse	
	40/ 4000 K	20 2000 lumens		GR Gold			TRW White painted flange ⁷	
				WR White ⁴			TRBL Black painted flange	
				BR Black ⁴			NPS80EZ nLight® dimming pack controls 0-10V eldoLED drivers. Refer to TN-633 .	
							NPS80EZER nLight® dimming pack controls 0-10V eldoLED drivers. ER controls fixtures on emergency circuit. Refer to TN-633 .	
							RRL___ RELOC™-ready luminaire connectors enables a simple and consistent factory installed option across all ABL luminaire brands. Refer to RRL for complete nomenclature.	
							EZ1 eldoLED dims to 1%	
							CP Chicago plenum ^{5,9}	

Accessories: Order as separate catalog number.	
EAC ISSM 375	Compact interruptible emergency AC power system
EAC ISSM 125	Compact interruptible emergency AC power system
GRA68 JZ	Oversized trim ring with 8" outside diameter ¹¹
SCA6	Sloped ceiling adapter. Refer to TECH-SCA for more options.

Notes

- Approximate lumen output.
- Overall height varies by lumen package. Reference dimension chart on page 1.
- Rated for damp and dry locations only.
- Not available with finishes.
- Not available with emergency options.
- For dimensional changes, refer to chart on page 4. Not available with CP option.
- Not available with WR (white trim color).
- For use with generator supply EM power. Will require an emergency hot feed and normal hot feed.
- 277 volt CP products require marked spacing. Install with minimal spacing between: (a) Center-to-center of adjacent luminaires: 2 ft.; (b) Top of luminaire to overhead building member: 3 in.; (c) Luminaire center to side of building member: 1 ft.
- Must be specified for old style version.
- Refer to [TECH-GOOF RINGS](#) for more options.

LDN6 05

PHOTOMETRY

Distribution Curve

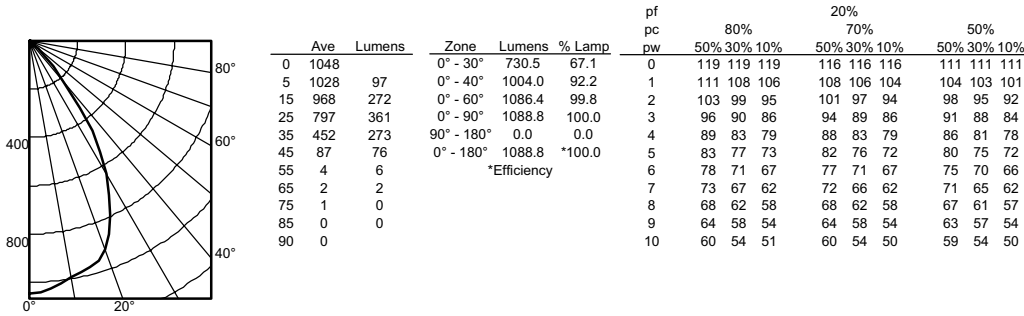
Distribution Data

Output Data

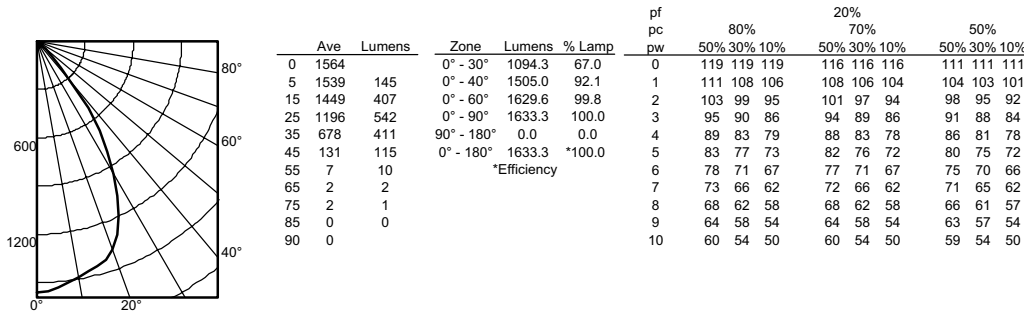
Coefficient of Utilization

Illuminance Data at 30" Above Floor for a Single Luminaire

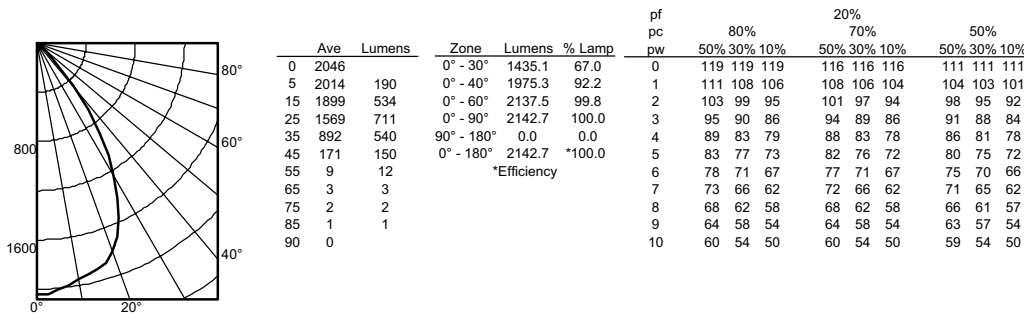
LDN6 35/10 L06AR 120, input watts: 18, delivered lumens: 1089, LM/W = 61, spacing criterion at 0 = 1.03, test no. LTL25148SL.



LDN6 35/15 L06AR 120, input watts: 26, delivered lumens: 1633, LM/W = 63, spacing criterion at 0 = 1.03, test no. LTL25146.



LDN6 35/20 L06AR 120, input watts: 35, delivered lumens: 2143, LM/W = 61, spacing criterion at 0 = 1.04, test no. LTL25144.



ADDITIONAL DATA

DIMMER COMPATIBILITY CHART	
Manufacturer	Model/Series
600 & 1000 Lumen products	
Leviton	IllumaTech - IP710-DLX
Lutron	Nova T - NTFTV-WH <i>For on/off control, this switch requires a power pack. Consult Lutron for more information.</i>
Sensor Switch	nPODM DX
Synergy	ISD BC 120/277
1500 & 2000 Lumen products	
Busch-Jaeger	2112U-101
Jung	240-10
Leviton Lighting Controls	IllumaTech - IP710-DLX
Lightolier Controls	ZP600FAM120
Lutron Electronics	Nova T - NTFTV
	Diva - DDTV
	Diva - NFTV
	GraphicEye - GRX-TVI w GRX3503
	Energy Savr Node - QSN-4T16-S
TVM2 Module	
Merten	5729
Pass & Seymour	CD4FB-W
Sensor Switch	nPODM DX
Synergy	ISD BC 120/277
The Watt Stopper	DCLV1

EL/ELR DIMENSIONAL CHANGES	
Add to overall housing length for EL/ELR option	Overall housing width with EL/ELR option
4-1/2	16-1/2

EL/ELR AVAILABILITY/COMPATIBILITY - INITIAL LUMENS			
Lumen package	Watts	Initial lumens EL/ELR	Emergency LED driver
600	12	500	PS1030
1000	18	575	PS1030
1500	26	640	Bodine BSL17C-C2
2000	35	690	Bodine BSL17C-C2

KEY SPECIFICATION SUMMARY				
Product Description	Watts (W)	Delivered lumens (lm)	Efficacy (lm/W)	Spacing criteria (s/mh)
LDN6 35/06 L06AR	12	670	56	1.03
LDN6 35/10 L06AR	18	1090	61	1.03
LDN6 35/15 L06AR	26	1640	63	1.03
LDN6 35/20 L06AR	35	2140	61	1.04

Choose Wall Controls.

nLIGHT offers multiple styles of wall controls – each with varying features and user experience.



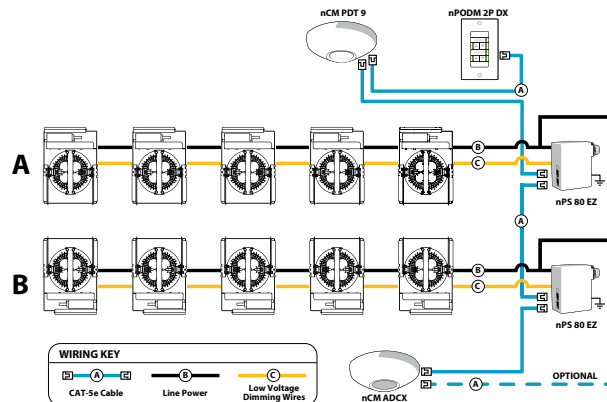
Push-Button WallPod
Traditional tactile buttons and LED user feedback



Touch WallPod
Contemporary capacitive touch style buttons with audible clicker for user feedback



Graphic WallPod
Full color touch screen provides a sophisticated look and feel



EXAMPLE

Group Fixture Control*

*Application diagram applies for fixtures with eldoLED drivers only.

nPS 80 EZ Dimming/Control Pack (qty 2 required)

nPODM 2P DX Dual On/Off/Dim Push-Button WallPod

nCM ADCX Daylight Sensor with Automatic Dimming Control

nCM PDT 9 Dual Technology Occupancy Sensor

Description: This design provides a dual on/off/dim wall station that enables manual control of the fixtures in Row A and Row B separately. Additionally, a daylight harvesting sensor is provided so the lights in row B can be configured to dim automatically when daylight is available. An occupancy sensor turns off all lights when the space is vacant.