

## 5362-E



Color:  Black

UPC Code: 07847713961

NEMA:  
5-20R



## 5362-E

### Brand Features

Leviton's line of Extra Heavy-Duty Industrial Grade receptacles are designed and manufactured to withstand the harsh conditions typically associated with industrial environments. Available in a wide variety of configurations, including isolated ground, tamper-resistant, hospital grade, etc., these Industrial Grade devices are the electrical contractor's choice for use in factories, schools, hospitals and commercial office buildings.

### Item Description

20 Amp, 125 Volt, NEMA 5-20R, 2P, 3W, Industrial Series Extra Heavy Duty Specification Grade, Duplex Receptacle, Straight Blade, Self Grounding, Back & Side 8 Hole Feed-Thru Wired, Brass Strap, - BLACK

### Technical Information

#### AC Horsepower Ratings

**At Rated Voltage:** 1 HP

#### Electrical Specifications

**Dielectric Voltage:** Withstands 2000V per UL498

**Grounding:** Self Grounding

**Temperature Rise:** Max 30C after 250 cycles OL at 200 percent rated current

**Voltage:** 125 Volt

**Amperage:** 20 Amp

**Current Limiting:** Full Rated Current

**Wire:** 3

**Pole:** 2

#### Environmental Specifications

**Operating Temperature:** -40C to 60C

**Flammability:** Rated V-2 per UL94

#### Material Specifications

**Strap Material:** Brass

**Face Material:** Thermoplastic Nylon

**Body Material:** Thermoplastic Nylon

**Ground Clips:** Brass-Plated

**Terminal Screws:** Brass 10-32

**Color:** Black

**Line Contacts:** Brass Triple-Wipe

**Yoke:** Brass

**Grounding Screw:** Brass 8-32

**Clamp Nuts:** Zinc-Plated Steel

#### Mechanical Specifications

**Product ID:** Ratings are permanently marked on device

**Terminal ID:** Brass-Hot, Green-Ground, Silver-Neutral

**Terminal Accom.:** 14-10 AWG

#### Product Features

**Grounding:** Self Grounding

**Color:** Black

**NEMA:** 5-20R

#### Standards and Certifications

**Warranty:** 10 Year Limited

**CSA C22.2 No. 42:** File 152105

**UL Fed Spec WC-596:** File E13399

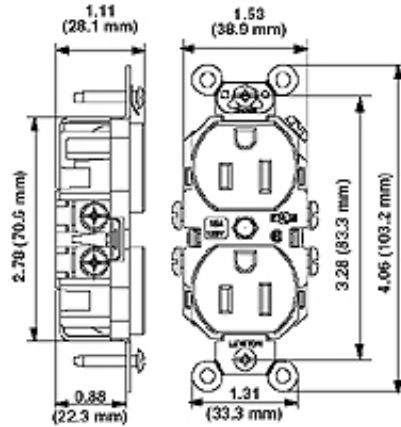
**ANSI:** C-73

**UL498:** File E13399

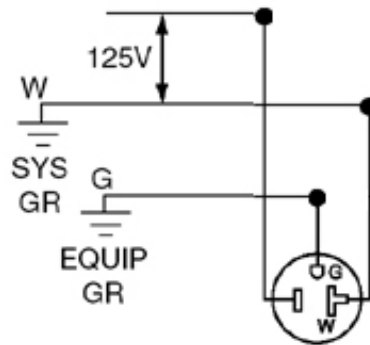
**NOM:** 057

**NEMA:** WD-1 & WD-6

## Dimensional Diagram



## Wiring Diagram



5-20R

## SPECIFICATION SUBMITTAL

JOB NAME:	CATALOG NUMBERS:	
<input type="text"/>	<input type="text"/>	<input type="text"/>
JOB NUMBER:	<input type="text"/>	<input type="text"/>

### Leviton Manufacturing Co., Inc.

201 North Service Road, Melville, NY 11747

Teléfono: +1-800-323-8920 · FAX: +1-800-832-9538 · Tech Line (8:30AM-7:30PM E.S.T. Monday-Friday): +1-800-824-3005

### Leviton Manufacturing of Canada, Ltd.

165 Hymus Boulevard, Pointe Claire, Quebec H9R 1E9 · Telephone: +1-800-469-7890 ·

FAX: +1-800-824-3005 · [www.leviton.com/canada](http://www.leviton.com/canada)

### Leviton S. de R.L. de C.V.

Lago Tana 43, Mexico DF, Mexico CP 11290 · Tel.: (+52)55-5082-1040 · FAX: (+52)5386-

1797 · [www.leviton.com.mx](http://www.leviton.com.mx)

Visit our Website at: [www.leviton.com](http://www.leviton.com)

© 2012 Leviton Manufacturing Co., Inc. Todos los derechos reservados. Subject to change without notice.

### Leviton has a global presence.

If you would like to know where your local Leviton office is located please go to:

[www.leviton.com/international/contacts/](http://www.leviton.com/international/contacts/)

