

Floor Boxes

Hubbell SystemOne Sub-Plates

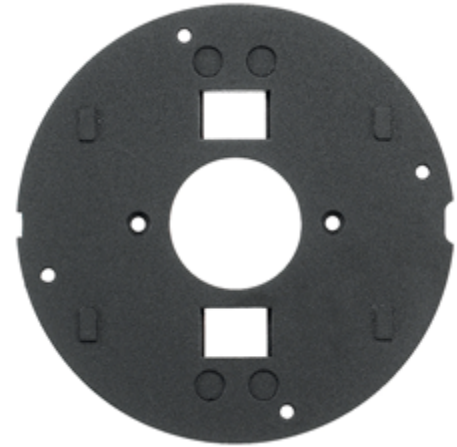
HUBBELL

Features

- Durable cast aluminum construction, powder coat finish
- Large capacity and multi-service furniture feed applications
- Open system sub-plates permit maximum data flexibility

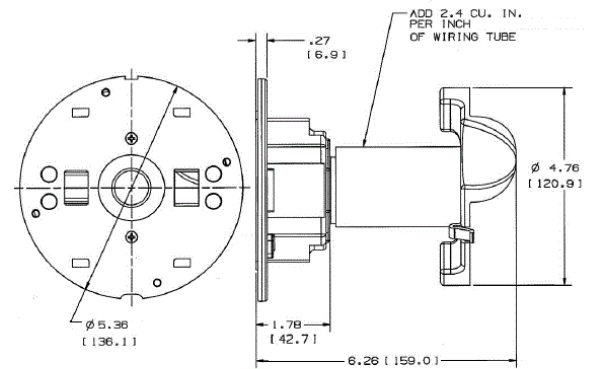
Ordering Information

Description	Device Color	UPC	Catalog Number
Opening for 20 or 30A	Black	783585371436	S1SPTL



Specifications

Product Type	SystemOne Sub Plates
Sub-Plate Format	TwistLock® and Data
Subplates for	SystemOne Boxes and Poke-Throughs
Unit Package	Single
Order Quantity	Carton of 1



Online Resources

[Customer Use Drawing](#)
[eCatalog](#)
[Installation Instructions](#)

Dimensions in Inches (mm)

Hubbell Wiring Device-Kellems • Hubbell Incorporated (Delaware) • 40 Waterview Drive • Shelton, CT 06484

Phone (800) 288-6000 • Fax (800) 255-1031 • Specifications subject to change without notice.

