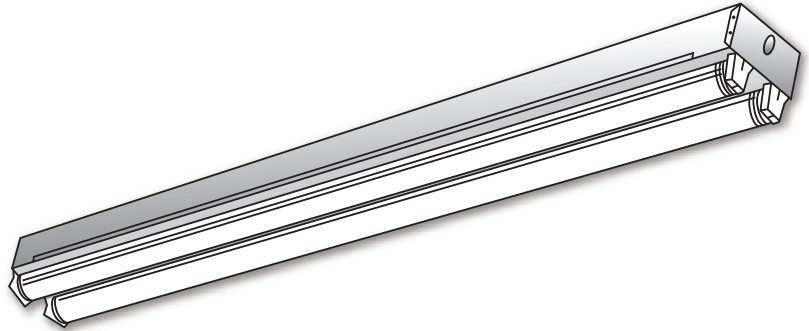


**P**  
**SERIES**  
**PREMIUM**  
**FLUORESCENT**  
**MULTI-LAMP**  
**STRIPS**

|                |      |
|----------------|------|
| Job Name       |      |
| Catalog Number |      |
| Notes          | Type |



***application***

- Ideal for economy or commercial applications including industrial warehouses, retail facilities, showcases and storerooms
- Able to be surface, pendant or chain mounted individually or in continuous rows
- Available in 1, 2 and 4 light, multiple lengths and numerous lamp/ballast combinations

***finish***

- Prior to painting, all metal parts are treated with a multi-stage phosphate bonding process to ensure adhesion and inhibit rusting
- Painted with a lighting grade baked white enamel, having a reflectance factor exceeding 87% for premium quality and durability
- Optional aluminum reflectors - see ordering information on back

***construction***

- The P series is a premium grade of fluorescent channels specifically designed for long-term, heavy-duty installation
- Features durable steel bodies, quality paint finishes and superior electrical components
- Die formed from cold rolled steel for strength and uniformity.
- Available in both New York City code (20 ga.) and UL code (23 ga.) steel
- Wireway covers easily attach without the use of tools
- Ample knockouts are provided on back and sides for convenient, versatile installation
- Numerous knockouts are provided for switch options, cord and plug options or convenience outlets
- All fixtures are U.L. listed and IBEW union made

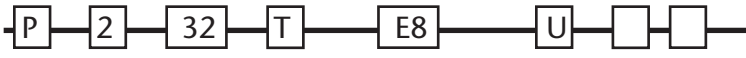
***electrical***

- All electrical components are U.L. listed
- Ballasts are class P, thermally protected
- Numerous options are available; see ordering information on back

# ordering guide

NOTE: SOME ORDERING OPTIONS APPEAR ON PRODUCT LINE. FOR OTHER OPTIONS, SEE LIST AT RIGHT.

SAMPLE ORDER NUMBER



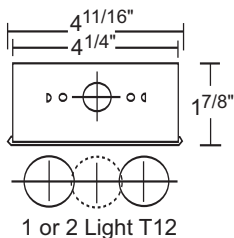
|                           | SERIES  | NO. LAMPS | WATTAGE | TANDEM | BALLAST TYPE | VOLTAGE | OPTIONS 1 | OPTIONS 2 | DIMENSIONS   | LAMP TYPE     |
|---------------------------|---------|-----------|---------|--------|--------------|---------|-----------|-----------|--------------|---------------|
| <b>T-5 ORDERING GUIDE</b> |         |           |         |        |              |         |           |           |              |               |
| P                         | 1, 2, 3 | 14/24     |         |        | E5/H5        | 1, 7, U |           |           | 4 1/4" x 24" | F14T5/F24T5HO |
| P                         | 1, 2, 3 | 21/39     |         |        | E5/H5        | 1, 7, U |           |           | 4 1/4" x 36" | F21T5/F39T5HO |
| P                         | 1, 2, 3 | 28/54     |         |        | E5/H5        | 1, 7, U |           |           | 4 1/4" x 48" | F28T5/F54T5HO |
| <b>T-8 ORDERING GUIDE</b> |         |           |         |        |              |         |           |           |              |               |
| P                         | 1, 2, 3 | 15        |         |        | E8           | 1, 7    |           |           | 4 1/4" x 18" | F15T8         |
| P                         | 1, 2, 3 | 17        |         |        | E8           | 1, 7, U |           |           | 4 1/4" x 24" | F17T8         |
| P                         | 1, 2, 3 | 25        |         |        | E8           | 1, 7, U |           |           | 4 1/4" x 36" | F25T8         |
| P                         | 1, 2, 3 | 32        |         |        | E8           | 1, 7, U |           |           | 4 1/4" x 48" | F32T8         |
| P                         | 1, 2, 3 | 25        | T       |        | E8           | 1, 7, U |           |           | 4 1/4" x 72" | F25T8         |
| P                         | 1, 2, 3 | 32        | T       |        | E8           | 1, 7, U |           |           | 4 1/4" x 96" | F32T8         |

Note: Tandem units contain double the amount of lamps shown

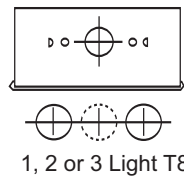
# dimensional data

NOTE: SPECIFICATIONS AND DIMENSIONAL DATA ARE SUBJECT TO CHANGE WITHOUT NOTICE.

## cross sections

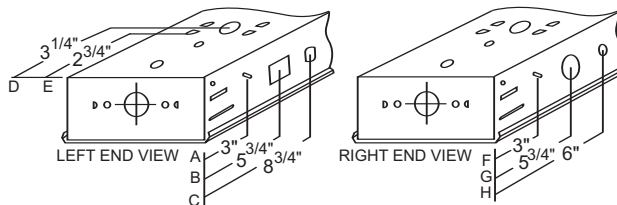


1 or 2 Light T12



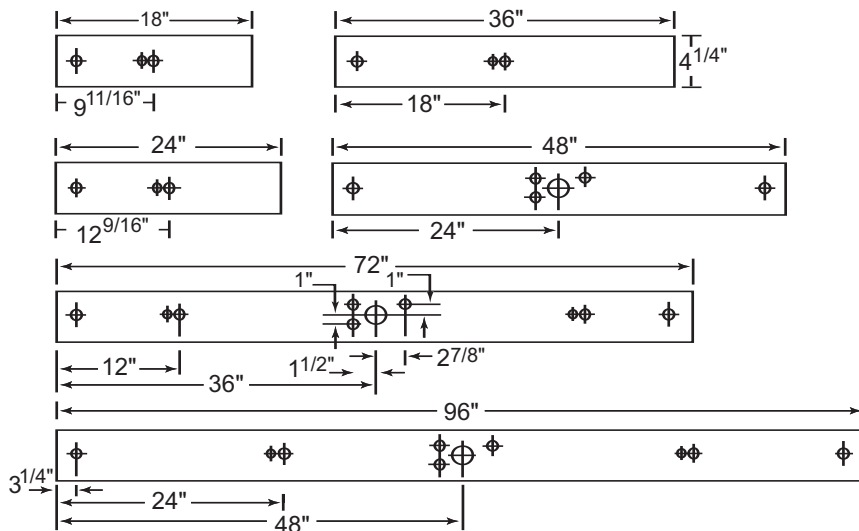
1, 2 or 3 Light T8

## switch and convenience outlet locations



- A - K.O. for side chain mounting
- B - 7/8" K.O.
- C - K.O. for cord/strain relief
- D - 7/8" K.O.
- E - Slots for back chain mounting
- F - K.O. for side chain mounting
- G - 7/8" K.O.
- H - K.O. for switch options

## back knockout plans and lengths



Revised 10/08

LAMAR LIGHTING 485 Smith Street, Farmingdale, NY 11735 • Tel (631) 777-7700  
Fax (631) 777-7705 • Outside NY (800) 724-7743 • www.lamarlighting.com

# P SERIES PREMIUM FLUORESCENT MULTI-LAMP STRIPS

## options

OPTIONS: INSERT APPROPRIATE CODE FOR CUSTOMIZED ORDERING

### BALLAST

- E5 Electronic T5
- E8 Electronic T8
- H5 Electronic T5HO
- EB\* Electronic bias
- ED Electronic Dimming (Consult factory)

NOTE: In order to achieve rated lamp life, fixtures controlled by motion sensors should be ordered with programmed start ballasts when available and minimum time delay should be set to 15 minutes - Consult Factory

### VOLTAGE

- 1 120V
- 7 277V
- U Universal 120 - 277V

### GENERAL OPTIONS

- NY 20G for NYC
- EM Emergency pack, 1 lamp 90 min. up to 500 lu.
- 2C 2 Circuit
- PS Push switch
- PC Pull chain
- TS Turn switch
- CO Grounded convenience outlet

Multiple cord options are available. Consult Factory

## accessories

- SYM Symmetric reflector, baked white enamel
- ASY Asymmetric reflector, baked white enamel
- DIR Direct light reflector, baked white enamel
- R95 Aluminum reflector 95%
- R87 Aluminum reflector 87%
- VH V-hanger for chain mounting
- WGP Wire guard

### LAMP OPTIONS

- 12 T8 741K
- 15 T8 735K
- 10 T8 730K
- 13 T5/T8 841K
- 16 T5/T8 835K
- 11 T5/T8 830K

