



# SignPRO

## SIGNPRO MAG ISB021612EI

Philips Advance signPRO line...a brand synonymous with full-line, high-quality sign ballasts offered exclusively to the sign industry to support the market's broad range of sign applications, now adds: ...four new energy-efficient signPRO Electronic Fluorescent Sign Ballasts for T8/HO and T12/HO High Output (800mA) Lamps. Philips Advance signPRO line...a brand synonymous with full-line, high-quality sign ballasts offered exclusively to the sign industry to support the market's broad range of sign applications, now adds: ...four new energy-efficient signPRO Electronic Fluorescent Sign Ballasts for T8/HO and T12/HO High Output (800mA) Lamps.

### Product data

General Information		Input Current (Nom)	
Lamp Type	T12/HO	Input Power (Nom)	1.14 A
Number Of Lamps	1-2 piece/unit	Rated Lamp Power	136-133 W
Lamp Footage	2 - 16 FT		110 W
Ballast Type	Electronic Fluorescent	Wiring	
Base Model	ISB021612EI	Wire Striplength	0.50/0.375 mm
Suitable For Outdoor Use	Yes	Lamp Connection	Parallel
Automatic Restart	Yes	Wire Length By Color	See data sheet
		Wire Gauge (Nom)	18AWG mm
		Wire Type	Solid
Operating and Electrical		Remote Wiring Configuration Allowed	No
Input Voltage	120 to 277 V	Tandem Wiring Configuration Allowed	No
Input Frequency	50 to 60 Hz	Through Wiring Configuration Allowed	Yes
Total Harmonic Distortion USA	10 %	Max Ballast-Lamp Distance Remote Wiring	No Remote
Ignition Method	Instant Start	Max Ballast-Lamp Distance Tandem Wiring	No Tandem
Crestfactor (Nom)	1.7	Max Ballast-Lamp Distance Through Wiring	Any = 20'
Ignition Time (Nom)	0.1 s		
Ballast Factor (Nom)	0.68		
Power Factor (Nom)	0.98		

**Mechanical and Housing**

Housing Material	Metal
Housing	BL1
Housing Dimensions	9.64" x 1.69" x 1.13"

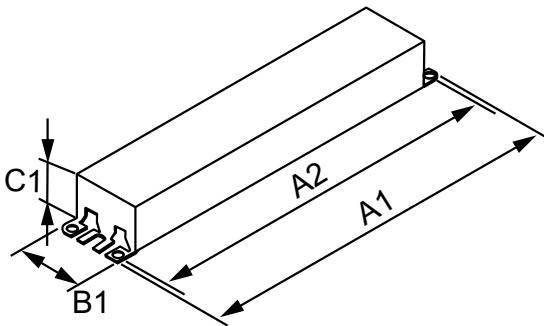
**Approval and Application**

EMC Immunity Standard	FCC Non-Consumer
Approval Marks	CSA certificate UL certificate DOE RoHS Compliant
Hum And Noise Level	A
UL Recognized	No

**Product Data**

Order product name	SIGNPRO MAG ISB021612EI
EAN/UPC - Product	781087135778
Order code	913701262201
Numerator - Quantity Per Pack	1
Numerator - Packs per outer box	10
Material Nr. (12NC)	913701262201
Net Weight (Piece)	2.709 kg

**Dimensional drawing**



Product	A1	A2	B1	C1
SIGNPRO MAG ISB021612EI	9.64 in	9 in	1.69 in	1.13 in

ELE SIGN BAL (1-2) T12HO 2-16FT 120-277V

