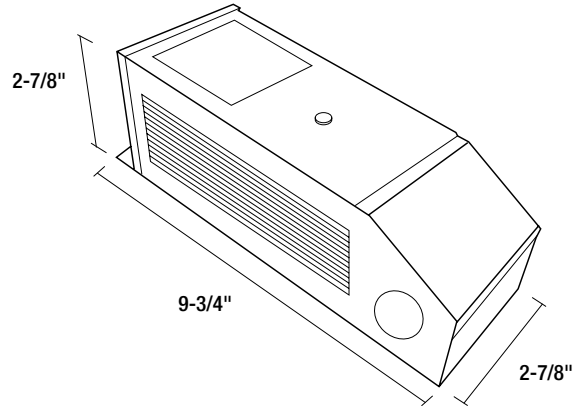


Type \_\_\_\_\_

Project \_\_\_\_\_

Catalog No. \_\_\_\_\_

Lamp/Wattage \_\_\_\_\_

**DIMENSIONS**

Width: 3-3/8"  
 Length: 9-3/4"  
 Height: 2-7/8"

**NMTD-40/12D****12 VDC, 40W Class II LED Magnetic Driver****PRODUCT DESCRIPTION**

120VAC-277VAC/12VDC 40 Watt Class II fused constant voltage Magnetic remote transformer. Secondary 40W output is fused for 3.3 amps at 12VDC. Ideal for use in areas requiring reliable operation under stressful conditions.

**FEATURES**

- Fully dimmable, with low voltage magnetic dimmer
- NEC Class II 3.3A Breaker Protection
- Resists spikes, surges, and all other power irregularities
- 24 Hour Operation, direct sunlight capable
- Dry location use only
- cULus Listed

**CONSTRUCTION**

Steel housing constructed of 0.055 black finished metal. Two 1/2" knockouts allow for 120VAC-277VAC incoming power supply and 12VDC output.

**MOUNTING**

Knockouts provided in front of transformer allow fixture to be secured to wood, drywall, or sheet metal.

**ELECTRICAL**

**Input:** 120V-277V 60Hz

**Output:** 12VDC 3.3A Max.40VA

**Wattage:** 40W

**Dimming:** Requires magnetic low voltage dimmer

**Maximum Distance:** 50'

**RESET**

In the event of one or more fuses cutting power due to overload/surge/short circuit, transformer provides simple push-button reset.

**APPLICATIONS**

Use for any application where noise free operation is required. Approved for use with all Nora Lighting low voltage tape light and low voltage under cabinet fixtures. High saturation core construction allows the NMTD to operate in environments unfriendly to standard electronic transformers. Unit may be exposed to direct sunlight, operate 24 hours per day, and is virtually blind to spikes, surges, brownouts, and other power irregularities and anomalies.

**Labels and Listings**

cULus Listed

NEC Class II

**12VDC, 40W Class II LED Magnetic Driver**

NMTD-60/12D: 12VDC, 40W Class II LED Magnetic Driver