



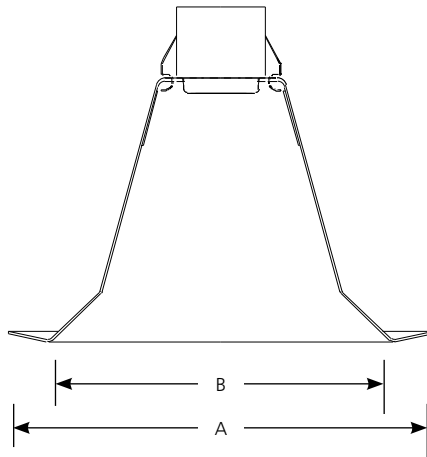
Incandescent

6" Open Trim for Shallow Fixture IC & Non-IC

Recessed

Type _____
 -28
 P8073

Catalog No.	Finish	Dimensions (Inches)	
	White	A	B
P8073	-28	7-3/4	4-3/8



Lamp Wattage Housing	IC	Non-IC
	P86-TG	75R/PAR30/65BR30
P186-TG	75R/PAR30/65BR30	75R/PAR30/65BR30

Specifications:

Flange

- Bright white powder painted flange
- No light leaks around trim flange
- Covers irregular ceiling openings

Trim

- One-piece aluminum reflector
- Splay design for BR and PAR 30 lamps
- Trim-Lok action forces trim to fit snugly against the ceiling
- Socket mounts to trim for optimum performance and consistent lamp position

Options

- White reflector - specify "28" after catalog number

Labels

- UL-CUL damp location listed

Progress Lighting
 701 Millennium Blvd.
 Greenville, South Carolina
 29607

www.progresslighting.com

Rev. 9/09

P86-TG

P86-TG WITH P8073-10

Report No. 98051

No. Lamps: 1 Type Lamp: 65BR30 - GE Total Lumens: 770

Fixture Efficiency: 91.4%

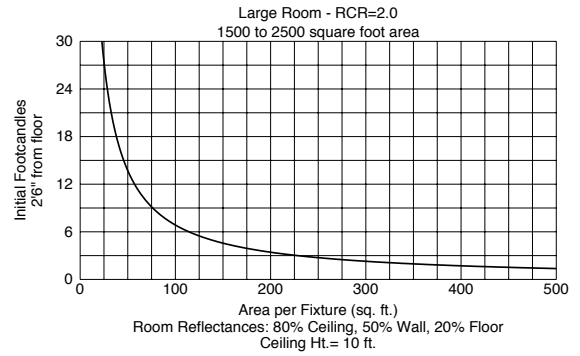
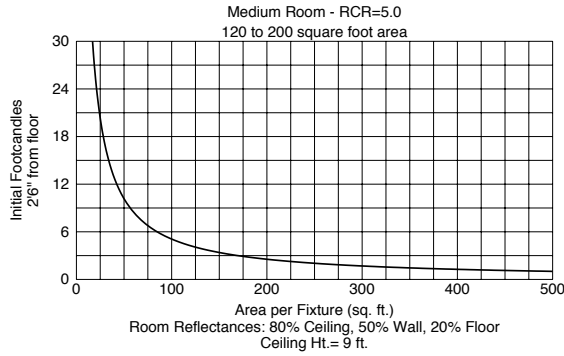
S/MH Ratio: 0.9

Single Fixture Data

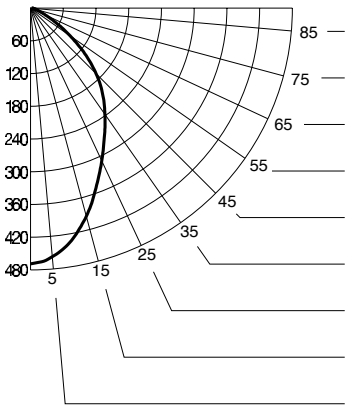
Ceiling Ht.(Ft.)	10% Values		Zero Degrees Ft.-C	50% Values	
	Beam Angle - 95			Beam Angle - 49	
	Ft.-C	Beam Dia.		Ft.-C	Beam Dia.
8	1.5	12	15.5	7.7	5
10	0.8	16	8.3	4.2	7
12	0.5	21	5.2	2.6	9
14	0.4	25	3.5	1.8	11
16	0.3	29	2.6	1.3	12

Ft.-C (Footcandles) are initial and measured 2'-6" from floor

Quick Calculator Charts



DISTRIBUTION CURVE



INTENSITY DATA

DEGREES	CANDELA
90	0
85	3
80	7
75	11
70	18
65	30
60	55
55	89
50	130
45	170
40	206
35	238
30	271
25	309
20	351
15	395
10	433
5	458
0	469

ZONAL CAVITY COEFFICIENTS OF UTILIZATION

Effective Floor Cavity Reflectance 0.20

RC	80				70				50				30				10				0				
	70	50	30	10	70	50	30	10	50	30	10	50	30	10	50	30	10	50	30	10	50	30	10	50	30
0	109	109	109	109	106	106	106	106	102	102	102	97	97	97	93	93	93	91							
1	102	98	95	93	99	96	94	91	93	90	88	89	87	86	86	85	83	81							
2	95	89	84	80	92	87	83	79	84	80	77	81	78	75	78	76	74	72							
3	88	80	74	69	86	79	73	69	76	71	67	74	70	66	72	68	65	64							
4	82	73	66	61	80	71	65	60	69	64	60	67	63	59	65	62	58	57							
5	76	66	59	54	74	65	59	54	63	58	53	62	57	53	60	56	52	51							
6	71	61	54	48	69	60	53	48	58	52	48	57	52	48	55	51	47	46							
7	66	56	49	44	65	55	48	44	54	48	43	52	47	43	51	46	43	41							
8	62	51	45	40	61	51	44	40	50	44	39	49	43	39	48	43	39	38							
9	59	48	41	36	57	47	41	36	46	40	36	45	40	36	44	39	36	34							
10	55	44	38	34	54	44	38	33	43	37	33	42	37	33	41	37	33	32							

P86-TG

P86-TG WITH P8073-10

Report No. 98050

No. Lamps: 1 Type Lamp: 75PAR30 LN - GE Total Lumens: 985

Fixture Efficiency: 97.6%

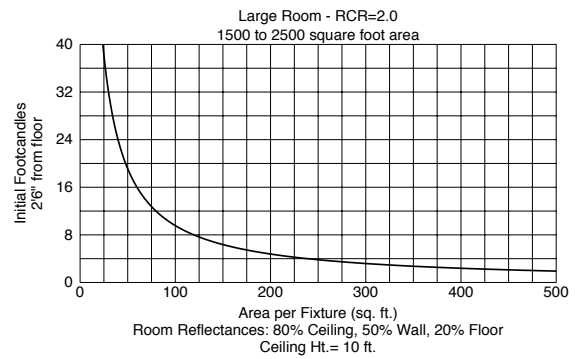
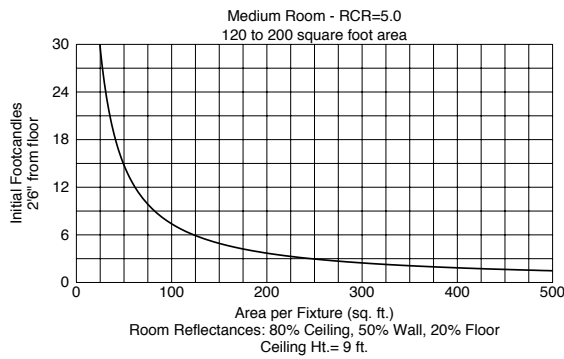
S/MH Ratio: 1.1

Single Fixture Data

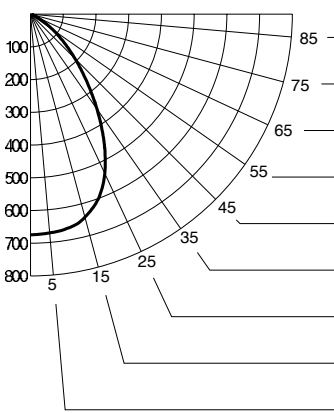
Ceiling Ht.(Ft.)	10% Values		Zero Degrees Ft.-C	50% Values	
	Beam Angle - 90			Beam Angle - 56	
	Ft.-C	Beam Dia.		Ft.-C	Beam Dia.
8	2.2	11	22.3	11.1	6
10	1.2	15	12.0	6.0	8
12	0.7	19	7.5	3.7	10
14	0.5	23	5.1	2.5	12
16	0.4	27	3.7	1.8	14

Ft.-C (Footcandles) are initial and measured 2'-6" from floor

Quick Calculator Charts



DISTRIBUTION CURVE



INTENSITY DATA

DEGREES	CANDELA
90	0
85	0
80	0
75	3
70	8
65	21
60	47
55	84
50	132
45	193
40	266
35	354
30	449
25	537
20	603
15	642
10	664
5	671
0	674

ZONAL CAVITY COEFFICIENTS OF UTILIZATION

Effective Floor Cavity Reflectance 0.20

RC	80												70												50												30												10												0											
	RW	70	50	30	10	70	50	30	10	50	30	10	50	30	10	50	30	10	50	30	10	50	30	10	50	30	10	50	30	10	50	30	10																																							
0	116	116	116	116	113	113	113	113	108	108	108	104	104	104	100	100	100	98	98	98	93	93	93	86	86	86	82	82	82	80	80	80																																								
1	110	107	104	101	107	104	102	100	100	98	96	97	95	94	93	92	91	89	89	89	86	84	84	86	84	82	80	77	74	72	72	72																																								
2	103	97	92	89	101	95	91	88	92	89	86	89	86	84	86	84	82	80	80	86	86	84	86	84	82	80	77	74	72	72	72																																									
3	96	89	83	78	94	87	82	78	85	80	76	82	78	75	80	77	74	72	72	82	78	75	80	77	74	72	72	72	72	72	72																																									
4	90	81	75	70	88	80	74	69	78	73	69	76	71	68	74	70	67	65	65	76	71	68	74	70	67	65	65	65	65	65	65																																									
5	84	75	68	63	83	74	67	63	72	66	62	70	65	61	68	64	61	59	59	66	61	58	64	61	59	57	55	53	51	49	47																																									
6	79	69	62	57	78	68	62	57	66	61	56	65	60	56	64	59	56	54	54	62	57	54	60	56	54	52	50	48	46	44	42																																									
7	74	64	57	52	73	63	56	52	62	56	51	60	55	51	59	54	51	49	49	58	53	50	56	52	49	47	45	43	41	39	37																																									
8	70	59	52	48	69	59	52	47	57	51	47	56	51	47	55	50	47	45	45	54	49	46	52	48	45	43	41	39	37	35	33																																									
9	66	55	48	44	65	55	48	44	54	48	44	53	47	43	52	47	43	41	41	50	45	42	48	44	41	39	37	35	33	31	29																																									
10	62	51	45	41	61	51	45	41	50	44	40	49	44	40	49	44	40	38	38	47	42	39	45	41	38	36	34	32	30	28	26																																									

P86-TG

P86-TG WITH P8073-28

Report No. 98048

No. Lamps: 1 Type Lamp: 65BR30 Total Lumens: 770

Fixture Efficiency: 90.4%

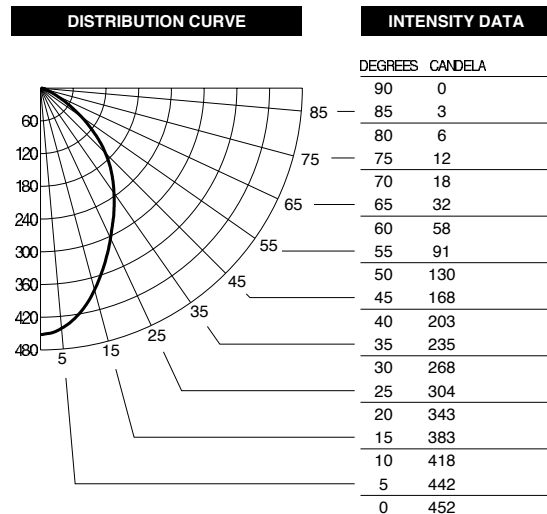
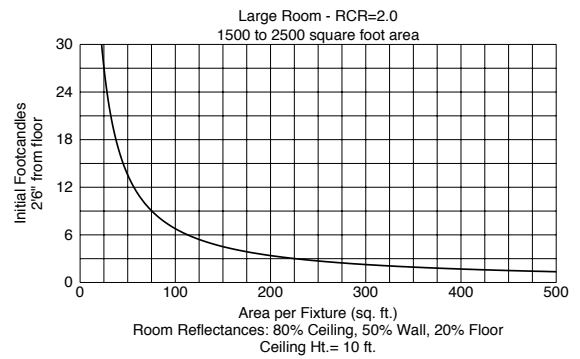
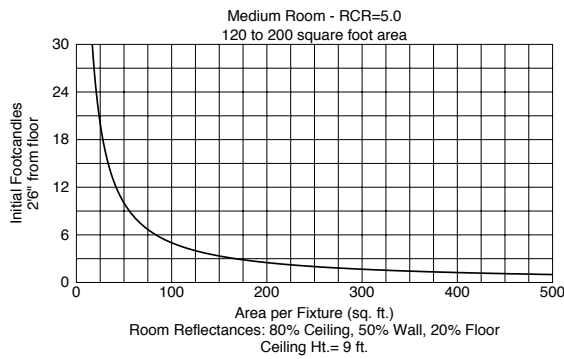
S/MH Ratio: 0.9

Single Fixture Data

Ceiling Ht.(Ft.)	10% Values		Zero Degrees Ft.-C	50% Values	
	Beam Angle - 95			Beam Angle - 50	
	Ft.-C	Beam Dia.		Ft.-C	Beam Dia.
8	1.5	12	14.9	7.5	5
10	0.8	16	8.0	4.0	7
12	0.5	21	5.0	2.5	9
14	0.3	25	3.4	1.7	11
16	0.2	30	2.5	1.2	13

Ft.-C (Footcandles) are initial and measured 2'-6" from floor

Quick Calculator Charts



ZONAL CAVITY COEFFICIENTS OF UTILIZATION

Effective Floor Cavity Reflectance 0.20

RC	70												50				30				10				0			
	80	50	30	10	70	50	30	10	50	30	10	50	30	10	50	30	10	50	30	10	50	30	10	50	30	10		
0	108	108	108	108	105	105	105	105	101	101	101	96	96	96	92	92	92	91	91	91	91	91	91	91	91	91		
1	101	97	94	92	98	95	93	90	92	90	88	88	87	85	85	84	82	81	81	81	81	81	81	81	81	81		
2	94	88	83	79	91	86	82	78	83	79	76	80	77	74	78	75	73	71	71	71	71	71	71	71	71	71		
3	87	79	73	68	85	78	72	68	75	70	67	73	69	65	71	67	64	63	63	63	63	63	63	63	63	63		
4	81	72	65	60	79	71	64	60	68	63	59	66	62	58	65	61	57	56	56	56	56	56	56	56	56	56		
5	75	65	58	53	73	64	58	53	62	57	52	61	56	52	59	55	51	50	50	50	50	50	50	50	50	50		
6	70	60	53	48	68	59	52	47	57	51	47	56	51	47	55	50	46	45	45	45	45	45	45	45	45	45		
7	65	55	48	43	64	54	48	43	53	47	43	52	46	42	50	46	42	40	40	40	40	40	40	40	40	40		
8	61	51	44	39	60	50	43	39	49	43	39	48	42	39	47	42	38	37	37	37	37	37	37	37	37	37		
9	58	47	40	36	57	46	40	36	45	40	35	44	39	35	44	39	35	34	34	34	34	34	34	34	34	34		
10	54	44	37	33	53	43	37	33	42	37	33	42	36	33	41	36	32	31	31	31	31	31	31	31	31	31		



Incandescent

**6" Lensless Shower Light
IC & Non-IC**

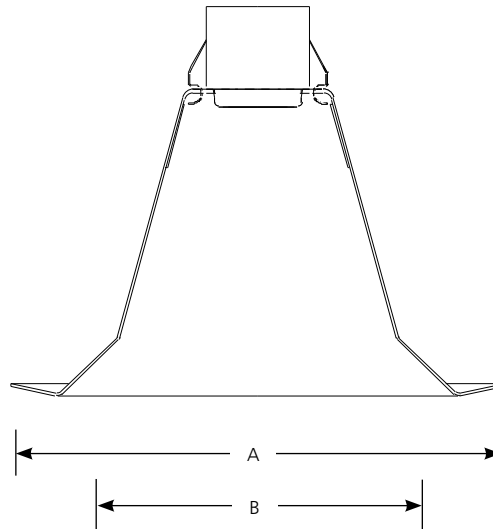
Recessed

Type _____

-28

P8073WL

Catalog No.	Finish	Dimensions (Inches)	
	White	A	B
P8073WL	-28	7-3/4	4-3/8



Lamp Wattage*

Housing	IC	Non-IC
P86-TG	50w PAR30	50w PAR30
P186-TG	50w PAR30	50w PAR30

Specifications:

Flange

- Bright white powder painted integral metal flange
- No light leaks around trim flange
- Covers irregular ceiling openings

Trim

- All aluminum construction
- Socket mounts to trim for optimum performance and consistent lamp position
- Trim retention is provided by a heavy duty spring steel clip shipped with housing

- Pre-applied adhesive backed, high-temperature acrylic gasket is placed on interior top portion of reflector to prevent the passage of water into socket

Labels

- UL-CUL wet location listed
- Rated IC and Non-IC

*Use only outdoor rated par lamps.

Progress Lighting
701 Millennium Blvd.
Greenville, South Carolina
29607

www.progresslighting.com

Rev. 9/08