

**2630**



**Color:**  Black

**UPC Code:** 07847704547

**Country Of Origin:** Mexico

*\*Eligible for ARRA funded projects > \$7,443,000*

**NEMA:**  
L7-30R



**2630**

### Brand Features

Leviton's Industrial Grade Locking Devices are built to provide unparalleled quality and superior performance in the most severe industrial settings. Leviton combines the best materials available with superior production standards to produce a broad selection of Locking Devices of unmatched flexibility and dependability.

### Item Description

30 Amp, 277 Volt, NEMA L7-30R, 2P, 3W, Flush Mtg Locking Receptacle, Industrial Grade, Grounding, V-0-MAX - BLACK

### Technical Information

#### AC Horsepower Ratings

**At Rated Voltage:** 3 HP

#### Electrical Specifications

**Dielectric Voltage:** Withstands 2000V per UL498

**Grounding:** Grounding

**Temperature Rise:** Max 30C after 250 cycles OL at 200 percent rated current

**Voltage:** 277 Volt

**Amperage:** 30 Amp

**Current Limiting:** Full Rated Current

**Wire:** 3

**Pole:** 2

#### Environmental Specifications

**Operating Temperature:** -40C to 60C

**Flammability:** Rated V-0 per UL94

#### Material Specifications

**Strap Material:** Nickel-Plated Brass

**Face Material:** Ultramid

**Body Material:** Nylon

**Terminal Screws:** Chromated Brass

**Ground Contacts:** Brass

**Color:** Black

**Cover Material:** Valox 357

**Line Contacts:** Brass

**Grounding Screw:** Chromated Brass

**Terminal Clamps:** Nickel-Plated Brass

**Base Material:** Valox

#### Mechanical Specifications

**Product ID:** Ratings and NEMA I.D. permanently marked on device

**Terminal ID:** Marked on Device

**Termination:** Back & Side

**Terminal Accom.:** 14-8 AWG

#### Product Features

**Face Material:** Ultramid

**Warranty:** Lifetime Limited

**Color:** Black

**Base Material:** Valox

**NEMA:** L7-30R

#### Standards and Certifications

**CSA:** C22.2 No. 42

**UL:** 498

**ANSI:** C-73

**NOM:** 057

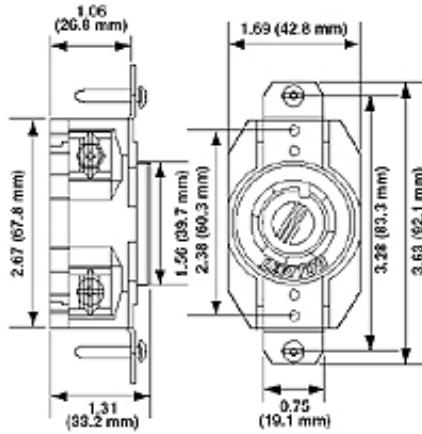
**UL Fed Spec:** W-C-596

**NEMA:** WD-1 & WD-6

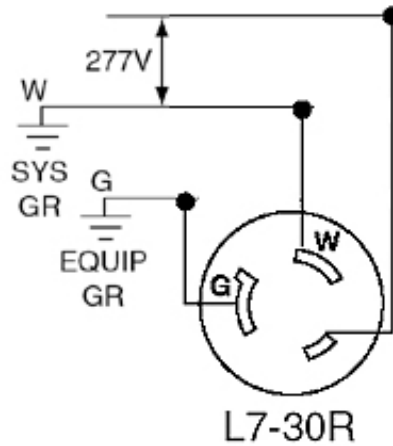
#### Warranty

**Warranty:** Lifetime Limited

### Dimensional Diagram



### Wiring Diagram



### SPECIFICATION SUBMITTAL

JOB NAME:	CATALOG NUMBERS:	
<input type="text"/>	<input type="text"/>	<input type="text"/>
JOB NUMBER:	<input type="text"/>	<input type="text"/>

#### Leviton Manufacturing Co., Inc.

201 North Service Road, Melville, NY 11747

Teléfono: +1-800-323-8920 · FAX: +1-800-832-9538 · Tech Line (8:30AM-7:30PM E.S.T. Monday-Friday): +1-800-824-3005

#### Leviton Manufacturing of Canada, Ltd.

165 Hymus Boulevard, Pointe Claire, Quebec H9R 1E9 · Telephone: +1-800-469-7890 ·

FAX: +1-800-824-3005 · www.leviton.com/canada

#### Leviton S. de R.L. de C.V.

Lago Tana 43, Mexico DF, Mexico CP 11290 · Tel.: (+52)55-5082-1040 · FAX: (+52)5386-

1797 · www.leviton.com.mx

Visit our Website at: [www.leviton.com](http://www.leviton.com)

© 2012 Leviton Manufacturing Co., Inc. Todos los derechos reservados. Subject to change without notice.

#### Leviton has a global presence.

If you would like to know where your local Leviton office is located please go to:

[www.leviton.com/international/contacts/](http://www.leviton.com/international/contacts/)



*\*Leviton is the smart choice, providing the most comprehensive range of solutions to meet the needs of today's residential, commercial and industrial buildings. Leveraging more than a century of experience, Leviton helps customers create sustainable, intelligent environments through its electrical wiring devices, network and data center connectivity solutions, and lighting energy management systems. From switches and receptacles, to daylight harvesting controls, networking systems, and equipment for charging electric vehicles, Leviton solutions help customers achieve savings in energy, time and cost, all while enhancing safety.*