

- Steel Products
- NEMA Enclosures
- Weatherproof Products
- Electrical Fittings
- Wiring Devices
- Exit & Emergency Lighting
- Landscape Lighting
- Line Voltage/HID Lighting
- LED Lighting
- Ventilation Fans
- Cable & Wire
- Industry Cross Reference

Newsletter

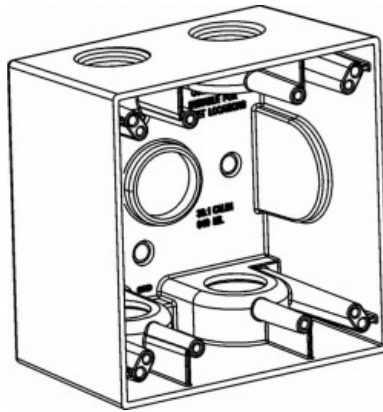
Sign Up for Our Newsletter:

* Name

* Email

* Company

Subscribe



2DB100-5

Be the first to review this product

2-GANG BOX 2-5/8" DEEP WITH 5 OUTLET HOLES - 1" SIZE

Download Spec Sheet

Email to a Friend

Print

Tweet



MORE VIEWS



Product Description

Product Tags

Category	WEATHERPROOF
Page	C8
Barcode	8-35243-00779-6
Description:	2-Gang box, 2-5/8" Deep
Features:	- Gray Finish
Dimensions:	
Width	4-9/16"
Height	4-1/2"
Volume	39.1 cu. in.
Specifications:	
Outlet Holes	5
Hole Size	1"
Packaging Info:	
Std Pkg	9
Weight	

