

LED



createchange



FEATURES

- Full distribution LED troffer
- Direct replacement for fluorescent 2x2
- Long-life, 60,000 hour LEDs at L80 reduce life cycle maintenance costs
- Four LED color choices and 80 CRI
- Many shielding choices
- Two door frame choices
- Metal to metal light leak protection on all four sides of shielding frame
- Fixed output, step dimming (high/low/off), 0-10V dimming, 0-10V dimming-dim to dark drivers available
- Hinged optical system allows easy access to LED modules and electrical from below the ceiling
- All models standard with IC rating
- DesignLights Consortium® (DLC) qualified with many configurations qualifying for DLC Premium; see www.designlights.org
- Five year warranty

PROJECT INFORMATION

Project Name _____

Type _____

Catalog No. _____

Date _____

CONSTRUCTION

Luminaire housing, end caps, and reflectors are die-formed code-gauge cold-rolled steel. Optical system hinges from either side for easy access to LED module and electrical components. Mechanical light trap prevents light leaks.

CEILING COMPATIBILITY

Designed for recessed installation in standard inverted tee grid ceilings (G), recessed installation in hard ceilings (G with FK accessory), surface mount at ceiling plane (SM), or cable mount suspension below ceiling plane (CM). For compatibility with specific ceilings contact your Hubbell Lighting representative.

FINISH

All metal parts processed with a multi-stage phosphate bonding treatment and finished with a high reflectance baked white enamel.

SHIELDING

Lens is high transmission pattern #12 acrylic (A12) for light diffusion without compromise to light output. Other shielding may be specified. If desired shielding media is not shown in ordering guide, contact your local Hubbell Lighting representative.

INSTALLATION

An access plate is furnished with each recessed fixture for fast wiring connections without the necessity to open the fixture or wireway.

CERTIFICATION

All luminaires are built to UL 1598 and 2108 standards, and bear appropriate CSA labels. Damp location labeling is standard. Emergency equipped fixtures labeled UL924. Adheres to LM79, LM80 and TM21 industry standards. IC rating is standard on all models. DesignLights Consortium® (DLC) and DLC Premium qualified. Please refer to the DLC website for specific product qualifications at www.designlights.org.

WARRANTY

Five year warranty. (Terms and Conditions Apply)

ORDERING INFORMATION

EXAMPLE LJT22-35HLG-FSA12-EU

LJT		22		-		-		-		U		-	
MODEL	COLOR TEMP	CEILING TYPE	SHIELDING	DRIVER	VOLTAGE	OPTIONS	SIZE	LUMEN OUTPUT	DOOR	SHIELDING	DRIVER	VOLTAGE	OPTIONS
LJT LED Lensed Troffer	30 3000K 35 3500K 40 4000K 50 5000K	G Grid ¹ SM Surface Mount CM Cable Mount ²	A12 Pattern 12 Acrylic Lens A12125 Pattern 12 Acrylic Lens, 0.125" Nominal A12F Pattern 12 Frosted Acrylic Lens A12125F Pattern 12 Frosted Acrylic Lens, 0.125" Nominal A19 Pattern 19 Acrylic Lens, 0.156" Nominal A19F Pattern 19 Frosted Acrylic Lens 0.156"	E Fixed Output ESD Step Dimming ED 0-10V Dimming ED1 0-10V 1% Dimming EDD 0-10V Dimming, Dim to Dark ³ LUTH Hi-lume 1% EcoSystem LED driver with Soft-on, Fade-to-Black dimming technology ⁴ LUTS 5-Series EcoSystem LED driver ⁴	U 120V-277V	C388 3-Wire Flex C488 4-Wire Flex C588 5-Wire Flex TB4 (4) Bulk T-Bar Clips ELL14 Emergency Battery Pack Installed, 1400 Lumens ^{4,5} GLR Fast Blow Fuse GTD Generator Transfer Device G1 Single Gasketing (Door to Housing) G2 Double Gasketing (G1 and Lens to Door) G3 Triple Gasketing (G2 and Housing to Ceiling) CP Chicago Plenum	22 2' x 2'	VW Very Low Watt MW Medium Low Watt LW Low Watt ML Medium Lumen HL High Lumen VL Very High Lumen	FS White Flush Steel FA White Flush Aluminum				

See Product Availability Table below

DRIVER AVAILABILITY TABLE						
	VW	MW	LW	ML	HL	VL
E	X	X	X	X	X	X
ESD			X	X	X	X
ED	X	X	X	X	X	X
ED1	X	X	X	X	X	X
EDD	X	X	X	X	X	X
LUTH	X	X	X	X	X	X
LUTS	X	X	X	X	X	X

¹ For hard ceilings use flange kit accessory.

² Order hanger accessories separately.

³ 50 Watt and Below

⁴ For compatibility with Dual-LiteGear(R) inverters in lieu of installed battery pack, contact Hubbell Lighting Representative.

⁵ Not available with 2x2 Surface or Cable Mount.

Damp label—standard.
IC rating—standard.

ACCESSORIES (ORDER SEPARATELY)

FK22 2' x 2' Single Flange Kit

CM48Y25C3F-KIT 48" Cable Mount Kit for 2' wide CM ceiling type, 3 Wire Feed Cord

Product Availability			
Lumen Package	Lumens	Input Watts	LPW
LJT22-50VWG-FSA12-EU	1572	13	120
LJT22-40VWG-FSA12-EU	1443	13	110
LJT22-35VWG-FSA12-EU	1421	13	108
LJT22-30VWG-FSA12-EU	1380	13	105
LJT22-50MWG-FSA12-EU	2130	18	117
LJT22-40MWG-FSA12-EU	1956	18	107
LJT22-35MWG-FSA12-EU	1926	18	106
LJT22-30MWG-FSA12-EU	1870	18	103
LJT22-50LWG-FSA12-EU	2741	24	116
LJT22-40LWG-FSA12-EU	2517	24	106
LJT22-35LWG-FSA12-EU	2479	24	105
LJT22-30LWG-FSA12-EU	2407	24	102
LJT22-50MLG-FSA12-EU	3722	31	119
LJT22-40MLG-FSA12-EU	3419	31	109
LJT22-35MLG-FSA12-EU	3365	31	108
LJT22-30MLG-FSA12-EU	3267	31	104
LJT22-50HLG-FSA12-EU	4074	33	125
LJT22-40HLG-FSA12-EU	3743	33	114
LJT22-35HLG-FSA12-EU	3684	33	113
LJT22-30HLG-FSA12-EU	3577	33	109
LJT22-50VLG-FSA12-EU	4718	42	113
LJT22-40VLG-FSA12-EU	4334	42	104
LJT22-35VLG-FSA12-EU	4265	42	103
LJT22-30VLG-FSA12-EU	4142	42	100

PHOTOMETRIC DATA

Test 16378 Test Date 06/30/2016

LUMINAIRE DATA

Luminaire	LJT22-40LWG-FSA12-EU LJT LED, Lensed Troffer 2' X 2' LED with A12 pattern acrylic prisms lens
Ballast	XI040C110V054BST1
Ballast Factor	1.00
Lamp	LED
Fixture Lumens	2518
Watts	23.70
Mounting	Recessed
Shielding Angle	0° = 90 90° = 90
Spacing Criterion	0° = 1.14 90° = 1.20
Luminous Opening in feet	Length: 1.92 Width: 1.92 Height: 0.00

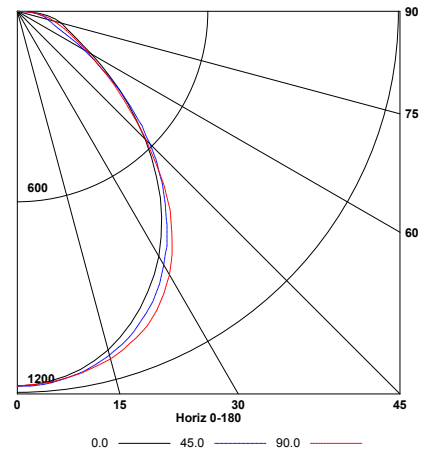
ENERGY DATA

Total Luminaire Efficiency	100.0%
Total Lumens per Watt	106
ANSI/IESNA RP-1-2004 Compliance	Noncompliant
Comparative Yearly Lighting Energy Cost per 1000 Lumens	\$2.29 based on 3000 hrs. and \$0.08 per KWH

ZONAL LUMEN SUMMARY

Zone	Lumens	%Lamp	%Fixt.
0-30	889	35.3	35.3
0-40	1401	55.6	55.6
0-60	2157	85.7	85.7
0-90	2518	100.0	100.0
0-180	2518	100.0	100.0

INDOOR CANDELA PLOT



Test 16381 Test Date 07/13/2016

LUMINAIRE DATA

Luminaire	LJT22-40MLG-FSA12-EU LJT LED, Lensed Troffer 2' X 2' LED with A12 pattern acrylic prisms lens
Ballast	XI040C110V054BST1
Ballast Factor	1.00
Lamp	LED
Fixture Lumens	3419
Watts	31.30
Mounting	Recessed
Shielding Angle	0° = 90 90° = 90
Spacing Criterion	0° = 1.14 90° = 1.20
Luminous Opening in feet	Length: 1.92 Width: 1.92 Height: 0.00

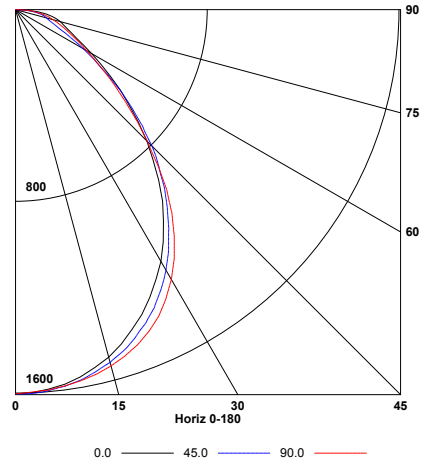
ENERGY DATA

Total Luminaire Efficiency	100.0%
Total Lumens per Watt	109
ANSI/IESNA RP-1-2004 Compliance	Noncompliant
Comparative Yearly Lighting Energy Cost per 1000 Lumens	\$2.18 based on 3000 hrs. and \$0.08 per KWH

ZONAL LUMEN SUMMARY

Zone	Lumens	%Lamp	%Fixt.
0-30	1209	35.3	35.3
0-40	1903	55.7	55.7
0-60	2930	85.7	85.7
0-90	3419	100.0	100.0
0-180	3419	100.0	100.0

INDOOR CANDELA PLOT



Test 16384 Test Date 07/13/2016

LUMINAIRE DATA

Luminaire	LJT22-40HLG-FSA12-EU LJT LED, Lensed Troffer 2' X 2' LED with A12 pattern acrylic prisms lens
Ballast	XI040C110V054BST1
Ballast Factor	1.00
Lamp	LED
Fixture Lumens	3743
Watts	32.70
Mounting	Recessed
Shielding Angle	0° = 90 90° = 90
Spacing Criterion	0° = 1.14 90° = 1.20
Luminous Opening in feet	Length: 1.92 Width: 1.92 Height: 0.00

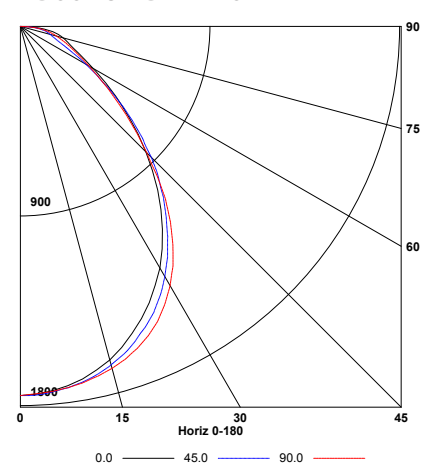
ENERGY DATA

Total Luminaire Efficiency	100.0%
Total Lumens per Watt	114
ANSI/IESNA RP-1-2004 Compliance	Noncompliant
Comparative Yearly Lighting Energy Cost per 1000 Lumens	\$2.12 based on 3000 hrs. and \$0.08 per KWH

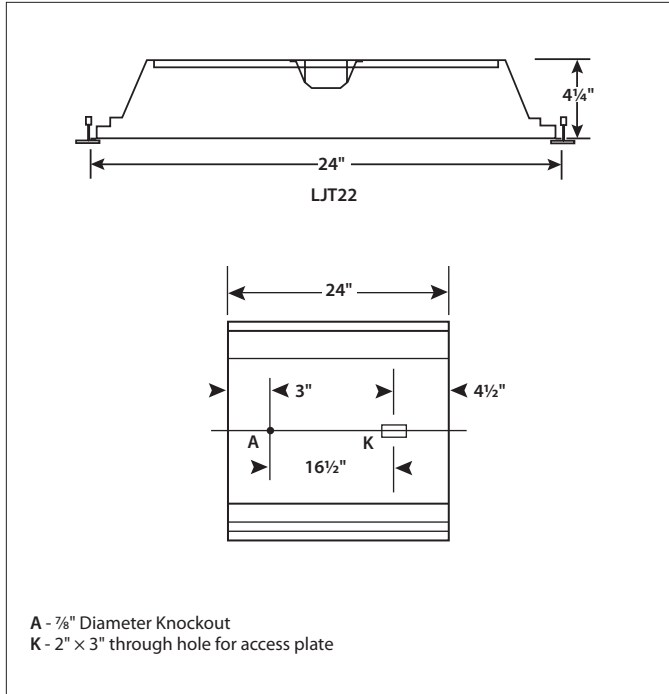
ZONAL LUMEN SUMMARY

Zone	Lumens	%Lamp	%Fixt.
0-30	1321	35.3	35.3
0-40	2081	55.6	55.6
0-60	3206	85.7	85.7
0-90	3743	100.0	100.0
0-180	3743	100.0	100.0

INDOOR CANDELA PLOT

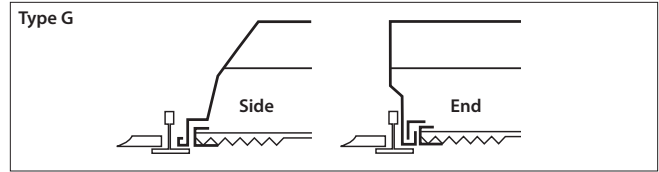


DIMENSIONAL DATA

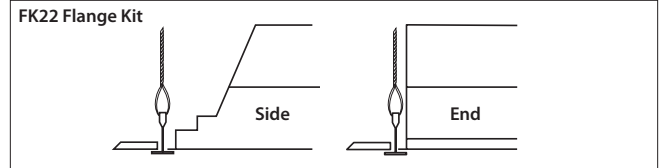


NOTE: All dimensions are in inches; dimensions and specifications are subject to change without notice. Please consult factory or check sample for verification.

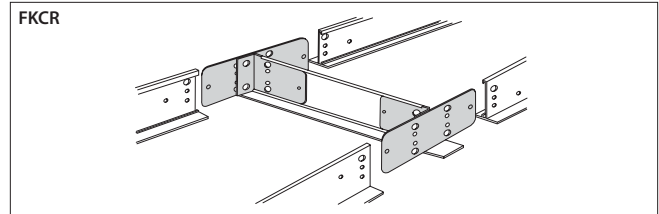
CEILING COMPATIBILITY



For lay-in installation in exposed grid ceilings. Maximum tee widths of 1" and maximum tee heights of 2" allowed.



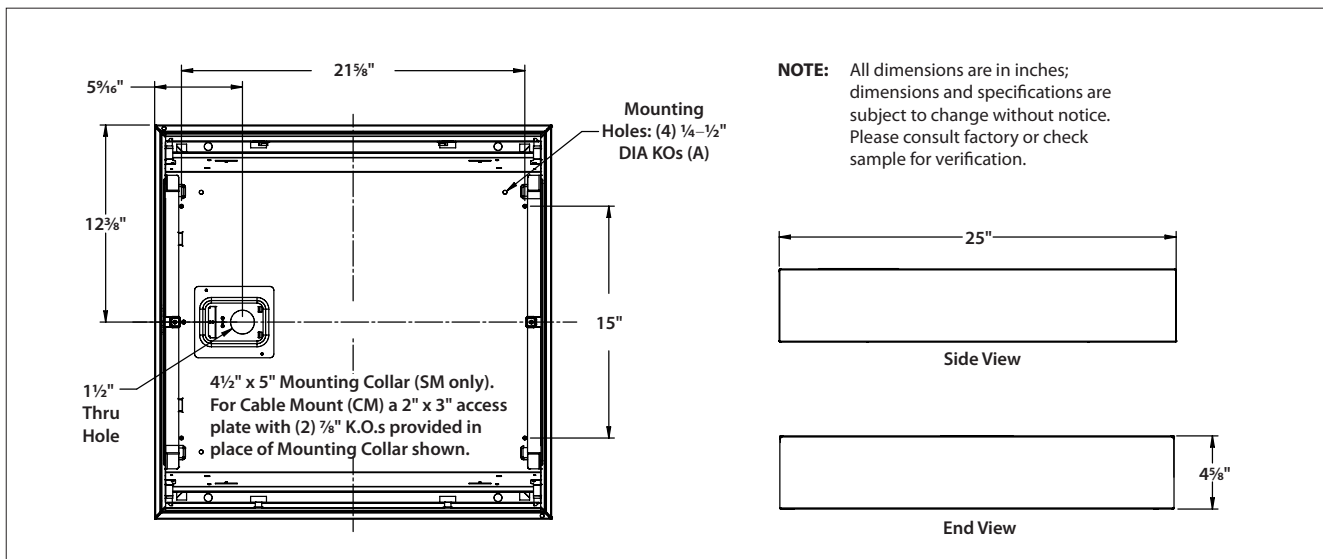
For hard ceiling applications order FK22 flange kit. Flange kit wires directly into concealed ceiling opening for a clean, finished appearance.



For flanged fixtures in row configurations, the FKCR adapter bracket kit is required in addition to the FK22 kit. Order one less FKCR than the total number of fixtures in row. (Example: Row of two, order (2) FK22 & (1) FKCR)

Row cut out dimensions using FK22 & FKCR adapters:
Width 24 3/8", Length [24" x (# in row)] + 3/4". Example: (24" x 2) + 3/8" = 48 3/8"
Flange kit rough in dimensions for single unit only: 24 3/8" x 24 3/8"

DIMENSIONAL DATA - SURFACE MOUNT (SM) OR CABLE MOUNT (CM)



NOTE: All dimensions are in inches; dimensions and specifications are subject to change without notice. Please consult factory or check sample for verification.

SURFACE MOUNT

Order SM ceiling type. Mounting collar required for surface mounting. (4) Mounting knock-outs, 1/4" to 1/2" provided as shown, marked "A".

CABLE MOUNT

Order CM ceiling type. Access plate supplied for cable mounting or suspension. Use CM48Y2C3F-KIT 48" cable mount kit. Includes 3 wire feed cord. For other wiring needs, contact Hubbell Lighting representative. Mounting knock-outs, 1/4" to 1/2", provided as shown, marked "A".