

K A B L E L I T E

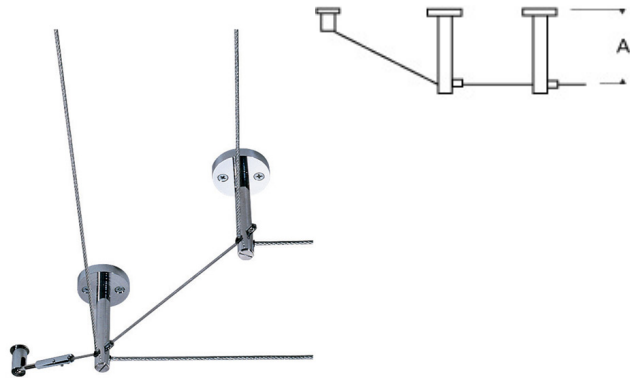
Kable Lite Rigid Post Standoff

DESCRIPTION

Can be used for cable separations from 2" to 36". Standoffs can also be specified with a turn support to provide tension for turns. Provides support for runs with a changing cable drop or turns. Pair. Not field-cuttable.

WEIGHT

0.2-1.2lb / 0.09-0.54kg ±



kable lite rigid post
standoff

ORDERING INFORMATION

700KSO	SHAPE OR SIZE	LENGTH (A)	FINISH
T	RIGID POST STANDOFF RIGID POST STANDOFF TURN	01 1" 02 2.5" 05 5" 12 12"	C CHROME S SATIN NICKEL



TECH LIGHTING®
7400 Linder Avenue T 847.410.4400
Skokie, Illinois 60077 F 847.410.4500
Tech Lighting, L.L.C.

700KSO

FIXTURE TYPE:
JOB NAME:
NOTES:



©2018 Tech Lighting, L.L.C. All Rights Reserved. The "Tech Lighting" graphic is a registered trademark of Tech Lighting, L.L.C. Tech Lighting reserves the right to change specifications for product improvements without notification.