

5801

Tamper Resistant Receptacles

Brand Features

Leviton's line of Heavy-Duty Specification Grade receptacles are designed and manufactured to withstand the most demanding environments. Available in a wide variety of configurations, including isolated ground, tamper-resistant, etc., these Commercial Grade devices are the electrical contractor's choice for use in hotels, schools, hospitals and commercial office buildings.

Item Description

20 Amp, 125 Volt, NEMA 5-20R, 2P, 3W, Narrow Body Single Receptacle, Straight Blade, Commercial Grade, Grounding, , , Side Wired, Steel Strap, - Brown

Technical Information

AC Horsepower Ratings

At Rated Voltage: 1 HP

Electrical Specifications

Grounding: Grounding

Amperage: 20 Amp

Voltage: 125 Volt

NEMA: 5-20R

Pole: 2

Wire: 3

Dielectric Voltage: Withstands 2000V per UL498

Current Limiting: Full Rated Current

Temperature Rise: Max 30C after 100 cycles OL at 150 percent rated current

Environmental Specifications

Flammability: Rated V-2 per UL94

Operating Temperature: -40C to 60C

Material Specifications

Face Material: Nylon

Body Material: Nylon

Line Contacts: Brass Double Wipe .031 Thick

Terminal Screws: Brass 8-32

Grounding Screw: Brass 8-32

Strap Material: Zinc-Plated Steel

Color: Brown

Mechanical Specifications

Terminal ID: Brass-Hot, Green-Ground, White-Neutral

Terminal ID: Brass-Hot, Green-Ground, Silver-Neutral

Terminal Accom.: 14-10 AWG

Product ID: Ratings are permanently marked on device

Termination: Side

Product Features

NEMA: 5-20R

Color: Brown

Standards and Certifications

NEMA: WD-2 WD-6

ANSI: C-73

UL498: File E13399

UL Fed Spec WC-596: File E13399

CSA C22.2 No. 42: File 152105

NOM: 057

Warranty: 10 Year Limited



Color:  Brown

UPC Code: 07847724900

Country of Origin: United States - *Eligible for ARRA funded projects

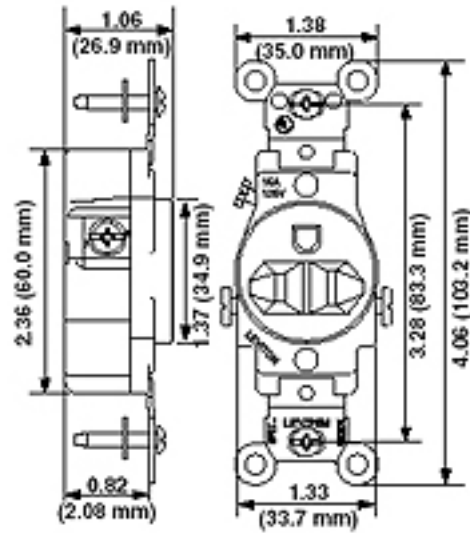
NEMA: 5-20R



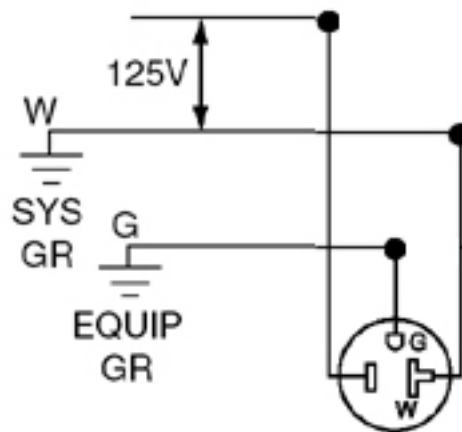
*May include one or more globally sourced components.



Dimensional Diagram



Wiring Diagram



5-20R

SPECIFICATION SUBMITTAL

JOB NAME: <input type="text"/>	CATALOG NUMBERS: <input type="text"/>	
JOB NUMBER: <input type="text"/>	<input type="text"/>	<input type="text"/>

Leviton Manufacturing Co., Inc.

201 North Service Road, Melville, NY 11747

Telephone: 1-800-323-8920 · FAX: 1-800-832-9538 · Tech Line (8:30AM-7:30PM E.S.T. Monday-Friday): 1-800-824-3005

Leviton Manufacturing of Canada, Ltd.

165 Hymus Boulevard, Pointe Claire, Quebec H9R 1E9 · Telephone: 1-800-469-7890 ·

FAX: 1-800-824-3005 · www.leviton.com/canada

Leviton S. de R.L. de C.V.

Lago Tana 43, Mexico DF, Mexico CP 11290 · Tel.: (+52)55-5082-1040 · FAX: (+52)5386-1797 · www.leviton.com.mx

Visit our Website at: www.leviton.com

© 2012-2016 Leviton Manufacturing Co., Inc. All rights reserved. Subject to change without notice.



Leviton has a global presence.

If you would like to know where your local Leviton office is located please go to: www.leviton.com/international/contacts/

**Buy American Compliant Logo -- The American Recovery And Reinvestment Act of 2009 ("ARRA") provides federal grants and loans for projects throughout the country. Section 1605 of the Act, named the "Buy American" provision, requires that certain materials and manufactured products used in projects funded by the Act be manufactured in the United States. The appearance of the Recovery Act Logo in relation to a Leviton product is only intended to reflect that such product may be used in an ARRA funded project. It does not mean that such product or Leviton is sponsored or endorsed by, or that Leviton receives funds from, the federal government or the Recovery Accountability and Transparency Board. Nothing in Leviton's use of the logo is intended to suggest anything regarding the requirements for funding under ARRA.*