



create**change**

FEATURES

- LED Enclosed and Gasketed
- Long life 60,000 hour LEDs at L80 for reduced maintenance
- Four LED color choices and 80 CRI
- IP66 all sizes when ordered with standard polyacetal (POM) latches
- IP65 all sizes, IP67 4' and 8'
- Available in 2', 4', or 8' lengths
- Fiberglass housing with F1 weatherability rating, standard
- Smooth housing for easy cleaning
- Gasket is non-porous to ensure seal
- Impact modified acrylic lens equivalent to 100% DR
- Wide range of lens selections
- Lens firmly secured with tamper resistance ready polyacetal (POM) latches
- Stainless steel latching optional
- ControlScope® compatible
- UL Sanitation Certified per NSF Standards
- Removable gear tray electrical access for modular replaceability
- Emergency battery pack installed, optional on most models
- Standard ambient -20°C to 25°C
- Elevated ambient option on most models
- DesignLights Consortium® qualified
- Includes surface mounting brackets
- Occupancy and/or daylight sensing accessories available
- Five year warranty

PROJECT INFORMATION

Project Name _____

Type _____

Catalog No. _____

Date _____

CONSTRUCTION

Housing is formed from UL 5VA fiberglass. F1 weatherability rating, suitable for indoor or outdoor use with respect to exposure to UV light. Pour-in-place non-porous gasketing assures seal. LED affixed to removable heat sinked gear tray. 14 Latches per 8', 8 per 4', 6 per 2'. Latches are provided tamper resistance ready, tamper resistant screws by others. Latches are standard polyacetal (POM), optional in stainless steel. Access openings are provided for electrical connection.

SHIELDING

Lineal ribbed frosted acrylic lens impact modified equivalent to 100% DR; modification adds flexibility to reduce impact breakage compared to standard acrylic formulations. Optional ribbed polycarbonate lens or deep acrylic. All lenses available in clear or frost.

FINISH

White painted parts are treated with a five-stage phosphate bonding process and finished with high reflectance baked enamel.

ELECTRICAL

Long-life LEDs are rated for 60,000 hours at L80 lumen maintenance. Extra High Lumen packages (XL) rated L70 at 60,000 hours. Driver options include fixed output for on/off function, step dimming* (high/low/off) or continuous 0-10V dimming. QR code label affixed to housing for easy traceability.

CERTIFICATION

All luminaires are built to UL 1598 and 2108 standards, and bear appropriate CSA labels. Ingress protection IP65 and IP67 standard. UL Sanitation Certified per NSF Standards. Wet location labeling is standard. Emergency-equipped fixtures built to UL 924. DesignLights Consortium® (DLC) qualified. Please refer to the DLC website for specific product qualifications at www.designlights.org.

WARRANTY

Five year warranty (Terms and Conditions Apply).

MOUNTING

Use flexible conduit only.

ORDERING INFORMATION

EXAMPLE LXEM4-35HL-RFA-EDU

LXEM		-		-		-		U		-			
MODEL	COLOR TEMP	SHIELDING	DRIVER	VOLTAGE	OPTIONS	SIZE	LUMEN OUTPUT	PRODUCT AVAILABILITY					
LXEM LED Enclosed and Gasketed	30 3000K 35 3500K 40 4000K 50 5000K	RFA Ribbed Frosted Acrylic RA Ribbed Clear Acrylic DFA Deep Frosted Acrylic DCA Deep Clear Acrylic RFP Ribbed Frosted Polycarbonate ³	E Fixed Output ESD Step Dimming ^{4,5} ED 0-10V Dimming ED1 0-10V 1% Dimming	U 120V-277V	GLR Fast Blow Fuse SSL Stainless Steel Tamper Resistance Ready Latches TP Tamper Proof Latches ELL14 Emergency Battery Pack Installed, 1400 Lumens ⁶ F3C8W 3 Wire 8' Wet Cord F3C15W 3 Wire 15' Wet Cord SWH Single Wet Hub ½" NPT Hub DWH Dual Wet Hub ½" NPT Hub XEDPM Dual Pendant Brackets (pendant by others) ⁸ HT Elevated Ambient ^{1,2,6} ZRE ControlScope® compatible ⁹	2 2' ^{1,2,5,7} 4 4' 8 8'	VW Very Low Watt LW Low Watt ML Medium Lumen HL High Lumen ¹ VL Very High Lumen XL Xtra High Lumen ^{2,5}	Size	Lumen Package	Nominal Lumen Range (DFA Lens)	Nominal Watts	Lumens/Watt (Highest)	Max Temp, HT Option
						2'		VW	2415-2630	25	107	40°C	
								LW	3150-3500	29	121	40°C	
								ML	4300-4750	43	110	40°C	
								HL	4850-5350	51	105	25°C	
						4'		VW	3000-3300	27	122	50°C	
								LW	4050-4450	36	124	50°C	
								ML	4850-5350	47	114	50°C	
								HL	5800-6400	52	123	45°C	
								VL	7350-8150	68	120	40°C	
								XL	9750-10750	102	105	25°C	
						8'		VW	6000-6600	54	122	50°C	
								LW	8100-8900	72	124	50°C	
								ML	9700-10700	94	114	50°C	
								HL	11600-12800	104	123	45°C	
								VL	14700-16300	136	120	40°C	
								XL	19500-21500	204	105	25°C	

SENSOR KITS (Order Separately)
All sensor kits include Occupancy & Daylight.
Daylight activation requires setting of dip-switches on site.

Catalog #	# Relays	Lens Type	Voltage	Wet Label
051360WLK	1	360°	120/277	Yes
052360WLK	2	360°	120/277	Yes
051AWLK	1	Aisle	120/277	Yes
052AWLK	2	Aisle	120/277	Yes

¹HL not available in 2' size with HT option. ⁶Not available with XL lumen package.
²Not available with battery pack. ⁷Not available with VL lumen package.
³2' and 4' only. 8' not available. ⁸Requires 3/8" OD threaded rod by others.
⁴Only available on 4' and 8' LW and ML Lumen package. ⁹Registered trademark of Daintree Networks, used by permission.
⁵Not available with HT.



PHOTOMETRIC DATA

Test 14.00242 Test Date 8/29/14

LUMINAIRE DATA

Luminaire	LXEM4-40ML-DFA-EU LXEM LED Enclosed and Gasketed, Industrial. 7" x 51" LED with deep frosted acrylic diffuser
Ballast	D15CC55UNVTC
Ballast Factor	1.00
Lamp	LED
Fixture Lumens	5383
Watts	47.00
Mounting	Surface
Shielding Angle	0° = 90 90° = 90
Spacing Criterion	0° = 1.25 90° = 1.30
Luminous Opening in Feet	Length: 4.25 Width: 0.50 Height: 0.33

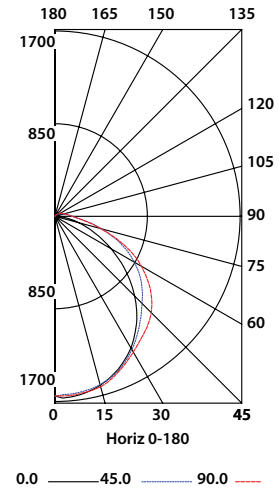
ZONAL LUMEN SUMMARY

Zone	Lumens	% Lamp	% Fixt.
0-30	1297	24.1	24.1
0-40	2127	39.5	39.5
0-60	3824	71.0	71.0
0-90	5105	94.8	94.8
0-180	5383	100.0	100.0

ENERGY DATA

Total Luminaire Efficiency	100%
Total Lumens per Watt	115
ANSI/IESNA RP-1-2004 Compliance	Noncompliant
Comparative Yearly Lighting Energy Cost per 1000 Lumens	\$2.09 based on 3000 hrs. and \$0.08 per KWH

INDOOR CANDELA PLOT



LUMINAIRE DATA

Luminaire	LXEM4-40HL-DFA-EU LXEM LED Enclosed and Gasketed, Industrial 7" x 51" LED with deep frost ribbed acrylic diffuser
Ballast	D15CC55UNVTC
Ballast Factor	1.00
Lamp	LED
Fixture Lumens	6182
Watts	51.80
Mounting	Surface
Shielding Angle	0° = 90 90° = 90
Spacing Criterion	0° = 1.25 90° = 1.29
Luminous Opening in Feet	Length: 4.17 Width: 0.50 Height: 0.29

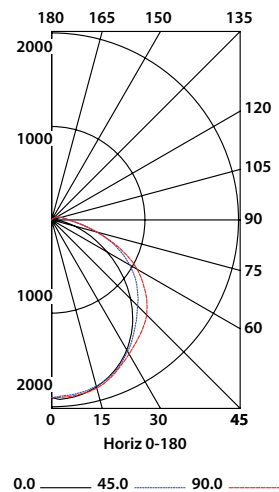
ZONAL LUMEN SUMMARY

Zone	Lumens	% Lamp	% Fixt.
0-30	1493	24.2	24.2
0-40	2450	39.6	39.6
0-60	4399	71.2	71.2
0-90	5863	94.8	94.8
0-180	6182	100.0	100.0

ENERGY DATA

Total Luminaire Efficiency	100%
Total Lumens per Watt	119
ANSI/IESNA RP-1-2004 Compliance	Noncompliant
Comparative Yearly Lighting Energy Cost per 1000 Lumens	\$2.02 based on 3000 hrs. and \$0.08 per KWH

INDOOR CANDELA PLOT



Test 14.00117 Test Date 9/9/14

LUMINAIRE DATA

Luminaire	LXEM4-40VL-DFA-EU LXEM LED Enclosed and Gasketed, Industrial 7" x 51" LED with deep frosted acrylic diffuser
Ballast	D23CC90UNVTF
Ballast Factor	1.00
Lamp	LED
Fixture Lumens	7876
Watts	67.70
Mounting	Surface
Shielding Angle	0° = 90 90° = 90
Spacing Criterion	0° = 1.24 90° = 1.29
Luminous Opening in Feet	Length: 4.25 Width: 0.50 Height: 0.25

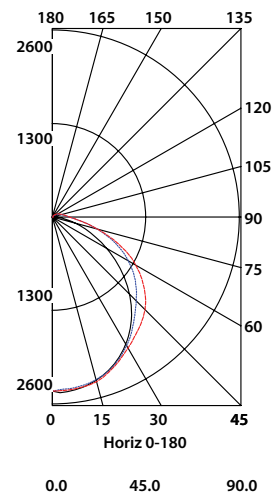
ZONAL LUMEN SUMMARY

Zone	Lumens	% Lamp	% Fixt.
0-30	1899	24.1	24.1
0-40	3114	39.5	39.5
0-60	5588	71.0	71.0
0-90	7461	94.7	94.7
0-180	7876	100.0	100.0

ENERGY DATA

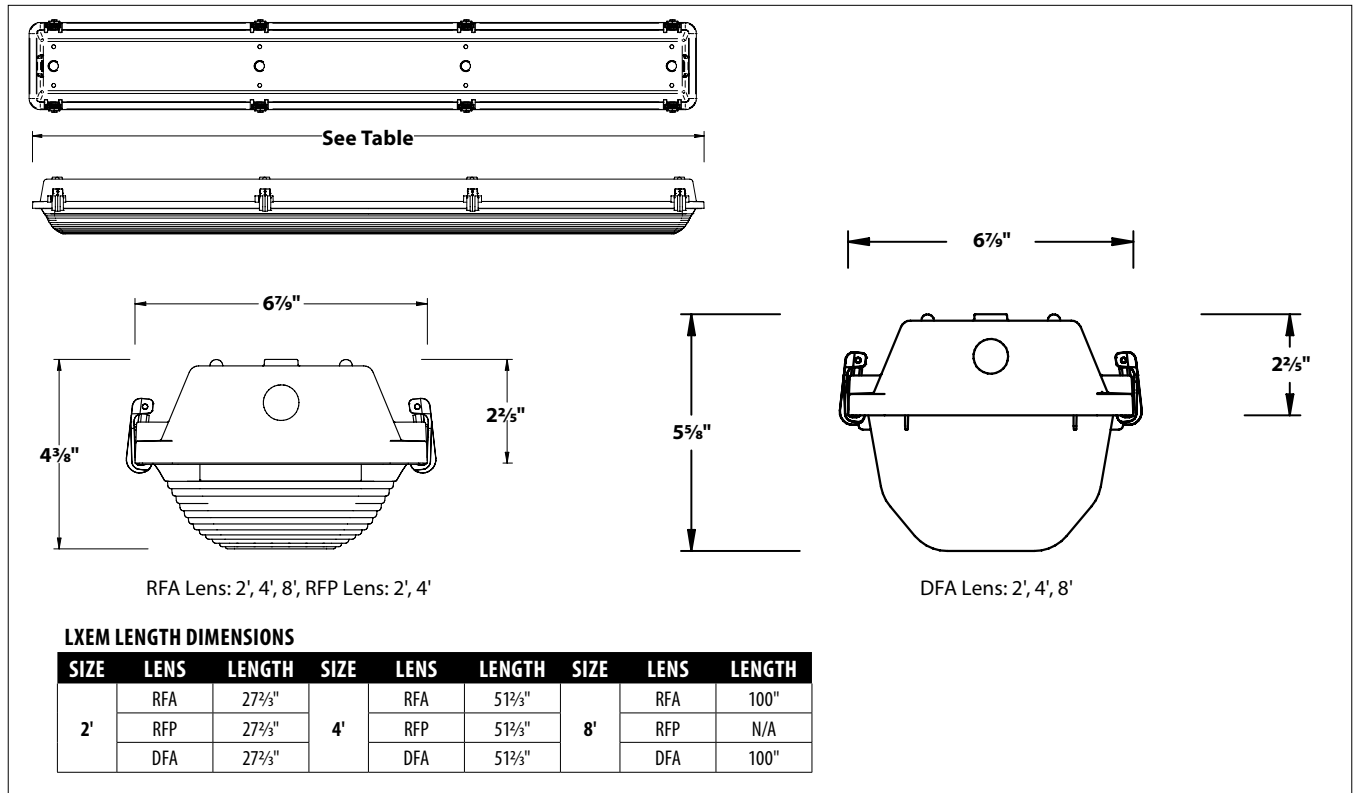
Total Luminaire Efficiency	100%
Total Lumens per Watt	116
ANSI/IESNA RP-1-2004 Compliance	Noncompliant
Comparative Yearly Lighting Energy Cost per 1000 Lumens	\$2.07 based on 3000 hrs. and \$0.08 per KWH

INDOOR CANDELA PLOT



Test 14.00224 Test Date 8/29/14

DIMENSIONAL DATA



NOTE: All dimensions are in inches; dimensions and specifications are subject to change without notice. Please consult factory or check sample for verification.