

# LED HID Replacement Lamps: Omnidirectional



20-100  
watts

2100-  
12500  
lumens

up to  
110  
lpw

universal  
burn

## features

- LED HID replacement lamp for 50-400W HID
- Consumes up to 75% less energy than conventional HID systems
- Last 2x-5x longer than metal halide lamps and 2x longer than HPS lamps
- Available with standard medium E26 and mogul E39 screw bases
- Choice of 4000K or 5000K CCT
- Universal mounting position allows for vertical base-up/base-down or horizontal operation
- Eliminates maintenance costs for over 10 years, no expensive HID lamps or ballasts to replace
- State-of-the-art LED light sources deliver over 110 lumens per watt
- Solid State Technology requires no fans or moving parts, providing outstanding reliability
- 5 year warranty from major, full-line lighting manufacturer



## performance

- +2,100 lumens @ 20W
- +3,000 lumens @ 27W
- +4,000 lumens @ 36W
- +5,000 lumens @ 45W
- +6,000 lumens @ 54W
- +12,500 lumens @ 100W
- 4000K, 5000K (+/- 250K)
- 110 lpw
- 80 CRI
- 50,000 hour life @ L70
- Operates in -30°C to 60°C (-22°F to 140°F) environment temperatures
- Uses Samsung high performance SMD5630 LED chips
- Universal voltage input, 120V-277V, +/-10%
- No ballast required, disconnect or remove
- UL Listed for open or enclosed fixtures (100W open fixture rated)
- UL Listed for damp locations
- Non-dimmable
- THD <25%

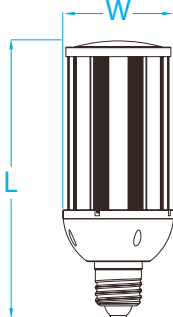
## applications

- Decorative Post-tops
- Wallpacks
- Area Lights – Shoeboxes
- Highbays
- Lanterns
- Flood lighting
- Garage
- Temporary lighting
- Bollards



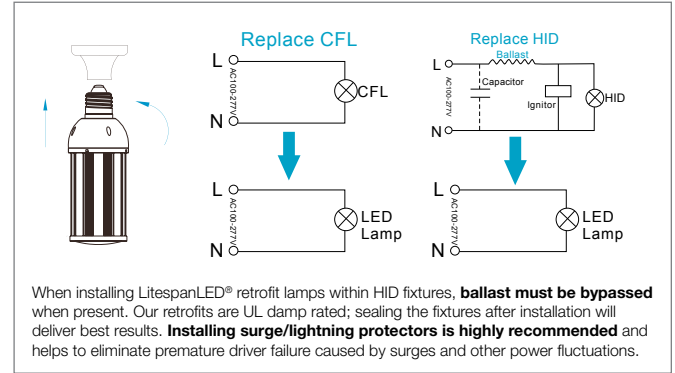
# LED HID Replacement Lamps: Omnidirectional

## dimensions



Watts	Base	Dimensions
20	E26	Ø70.0*191mm / Ø2.75*7.5"
27	E26	Ø92.8*196mm / Ø3.7*7.7"
27	E39	Ø92.8*211mm / Ø3.7*8.3"
36	E26	Ø92.8*226mm / Ø3.7*8.9"
36	E39	Ø92.8*241mm / Ø3.7*9.5"
45	E26	Ø92.8*256mm / Ø3.7*10"
45	E39	Ø92.8*271mm / Ø3.7*10.7"
54	E26	Ø92.8*256mm / Ø3.7*10"
54	E39	Ø92.8*271mm / Ø3.7*10.7"
100	E39	Ø140*314mm / Ø5.5*12.3"

## installation



## ordering information

	Order Code	Item #	Lm	W	CCT	GRI	V	Life/Hrs	Replaces HID		DLC
Mogul Base	<b>08772</b>	LED27WPT40KMOG-G5	3,000	27W	4000K	80+	100-277V	50K	50-100W HID		✓
	<b>09022</b>	LED27WPT50KMOG-G5	3,240	27W	5000K	80+	100-277V	50K	50-100W HID		✓
	<b>08773</b>	LED36WPT40KMOG-G5	4,000	36W	4000K	80+	100-277V	50K	100-150W HID		✓
	<b>09024</b>	LED36WPT50KMOG-G5	4,325	36W	5000K	80+	100-277V	50K	100-150W HID		✓
	<b>08774</b>	LED45WPT40KMOG-G5	5,000	45W	4000K	80+	100-277V	50K	150-175W HID		✓
	<b>09026</b>	LED45WPT50KMOG-G5	5,400	45W	5000K	80+	100-277V	50K	150-175W HID		✓
	<b>08775</b>	LED54WPT40KMOG-G5*	6,000	54W	4000K	80+	100-277V	50K	175-250W HID		✓
	<b>09028</b>	LED54WPT50KMOG-G5*	6,480	54W	5000K	80+	100-277V	50K	175-250W HID		✓
	<b>09030</b>	LED100WPT40KMOG-G5	12,500	100W	4000K	80+	100-277V	50K	250-400W HID	✘	
Medium Base	<b>09232</b>	LED20WPT40KMED-G6	2,100	20W	4000K	80+	100-277V	50K	50-70W HID		
	<b>09233</b>	LED20WPT50KMED-G6	2,100	20W	5000K	80+	100-277V	50K	50-70W HID		
	<b>08776</b>	LED27WPT40KMED-G5	3,000	27W	4000K	80+	100-277V	50K	50-100W HID		
	<b>09021</b>	LED27WPT50KMED-G5	3,240	27W	5000K	80+	100-277V	50K	50-100W HID	✘	
	<b>08777</b>	LED36WPT40KMED-G5	4,000	36W	4000K	80+	100-277V	50K	100-150W HID		
	<b>09023</b>	LED36WPT50KMED-G5	4,325	36W	5000K	80+	100-277V	50K	100-150W HID	✘	
	<b>08778</b>	LED45WPT40KMED-G5	5,000	45W	4000K	80+	100-277V	50K	150-175W HID	✘	
	<b>09025</b>	LED45WPT50KMED-G5	5,400	45W	5000K	80+	100-277V	50K	150-175W HID	✘	
	<b>08779</b>	LED54WPT40KMED-G5*	6,000	54W	4000K	80+	100-277V	50K	175-250W HID	✘	
	<b>09027</b>	LED54WPT50KMED-G5*	6,480	54W	5000K	80+	100-277V	50K	175-250W HID	✘	

NOTE: use order code when ordering.

✘ Lighting Design Lab Qualified ✓ DesignLights Consortium™ Qualified

\* When used in enclosed fixture, minimum lamp compartment dimensions 200mm x 200mm

watch > like > follow

