



PAR38 LED

13PAR38/F25 3000 DIM SO

Philips PAR38 LED Single Optic Lamps with AirFlux Technology improves shopping experience with superior lighting aesthetics and optimal thermal efficiency in a sleek, lightweight design.

Product data

General Information	
Cap-Base	E26 [Single Contact Medium Screw]
Bulb Shape	PAR38 [PAR 4.75 inch/121mm]
Nominal Lifetime (Nom)	25000 h
Switching Cycle	50000X
Technical Type	13-90W

Light Technical	
Color Code	830 [CCT of 3000K]
Beam Angle (Nom)	25 °
Initial lumen (Nom)	950 lm
Luminous Flux (Rated) (Nom)	950 lm
Luminous Intensity (Nom)	5500 cd
Color Designation	White (WH)
Rated Beam Angle	25 °
Correlated Color Temperature (Nom)	3000 K
Luminous Efficacy (rated) (Nom)	73 lm/W
Color Consistency	<6
Color Rendering Index (Nom)	80
LLMF At End Of Nominal Lifetime (Nom)	70 %

Operating and Electrical	
Input Frequency	60 Hz

Power (Rated) (Nom)	13 W
Lamp Current (Nom)	128 mA
Wattage Equivalent	90 W
Starting Time (Nom)	0.5 s
Warm Up Time To 60% Light (Max)	0.5 s
Power Factor (Nom)	0.85
Voltage (Nom)	120 V

Temperature	
T-Case Maximum (Nom)	80 °C

Controls and Dimming	
Dimmable	Yes

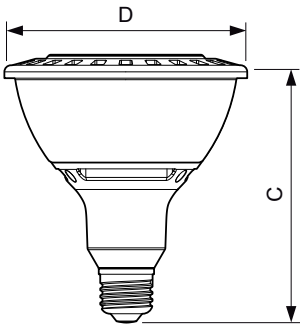
Approval and Application	
Suitable For Accent Lighting	Yes
Energy Efficiency Label (EEL)	Not applicable

Product Data	
Order product name	120V PAR38 13W 25D 3000K 900 D SO
EAN/UPC - Product	046677454739
Order code	454736
Numerator - Quantity Per Pack	1

PAR38 LED

Numerator - Packs per outer box	6
Material Nr. (12NC)	929001132004
Net Weight (Piece)	0.001 kg

Dimensional drawing



PAR38 CL 120V 13W 25D 3000K E26 Dim

Product	D	C
---------	---	---

PAR38 LED

Photometric data

Accent Lighting - Spots

