

# 42080-4WP



## Tamper Resistant Receptacles

### Brand Features

Leviton single-gang and dual-gang wallplates accept QuickPort snap-in modules to support multimedia station applications with 1, 2, 3, 4, 6, 8, and 12 ports. Use where port designation windows in a single-gang or dual-gang economical flush-mount housing is desired. Available in five colors: white, light almond, grey, ivory, and black.

### Item Description

Dual-Gang QuickPort Wallplate with ID Windows, 4-Port, White

### Technical Information

#### Environmental Specifications

**Flammability:** UL94V-O

#### Material Specifications

**Material:** High-Impact Plastic

**Color:** White

#### Product Features

**Standards and Certifications:** UL/CSA

**Feature:** 4 Designation ID Windows

**UPC Code:** 07847795153

**Country of Origin:** United States - *\*Eligible for ARRA funded projects*

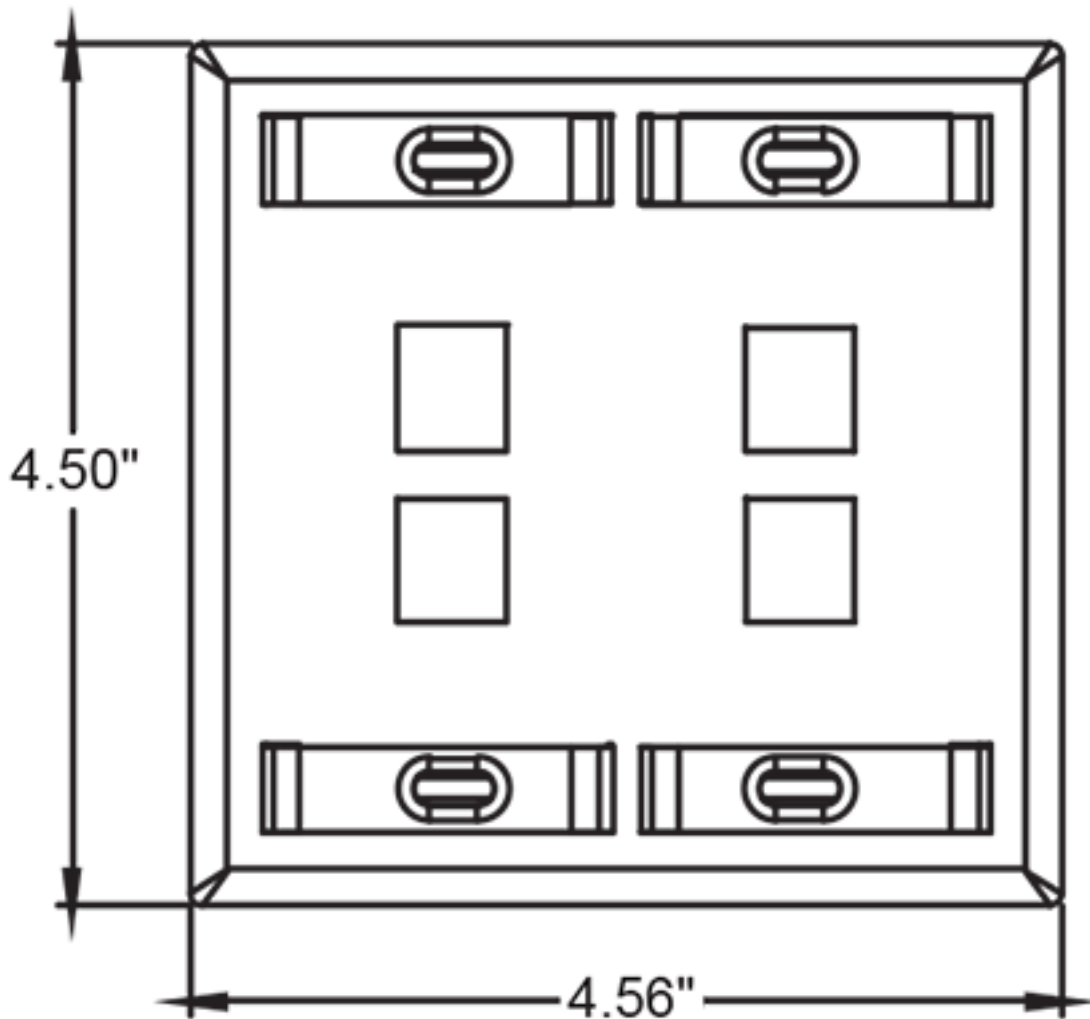


*\*May include one or more globally sourced components.*

### Features and Benefits

- Includes ID designation windows for each wallplate
- Color-matched wallplate screws
- Fits within minimum rectangular NEMA openings
- Compatible with all individual QuickPort modules
- Individual port configurability allows specification flexibility
- Narrow module width allows high port density in a small area





**SPECIFICATION SUBMITTAL**

JOB NAME:	CATALOG NUMBERS:	
<input type="text"/>	<input type="text"/>	<input type="text"/>
JOB NUMBER:	<input type="text"/>	<input type="text"/>

**Leviton Manufacturing Co., Inc.**

201 North Service Road, Melville, NY 11747

Telephone: 1-800-323-8920 · FAX: 1-800-832-9538 · Tech Line (8:30AM-7:30PM E.S.T. Monday-Friday): 1-800-824-3005

**Leviton Manufacturing of Canada, Ltd.**

165 Hymus Boulevard, Pointe Claire, Quebec H9R 1E9 · Telephone: 1-800-469-7890 ·

FAX: 1-800-824-3005 · [www.leviton.com/canada](http://www.leviton.com/canada)

**Leviton S. de R.L. de C.V.**

Lago Tana 43, Mexico DF, Mexico CP 11290 · Tel.: (+52)55-5082-1040 · FAX: (+52)5386-1797 · [www.leviton.com.mx](http://www.leviton.com.mx)

Visit our Website at: [www.leviton.com](http://www.leviton.com)

© 2012-2016 Leviton Manufacturing Co., Inc. All rights reserved. Subject to change without notice.

**Leviton has a global presence.**

If you would like to know where your local Leviton office is located please go to: [www.leviton.com/international/contacts/](http://www.leviton.com/international/contacts/)



*\*Buy American Compliant Logo -- The American Recovery And Reinvestment Act of 2009 ("ARRA") provides federal grants and loans for projects throughout the country. Section 1605 of the Act, named the "Buy American" provision, requires that certain materials and manufactured products used in projects funded by the Act be manufactured in the United States. The appearance of the Recovery Act Logo in relation to a Leviton product is only intended to reflect that such product may be used in an ARRA funded project. It does not mean that such product or Leviton is sponsored or endorsed by, or that Leviton receives funds from, the federal government or the Recovery Accountability and Transparency Board. Nothing in Leviton's use of the logo is intended to suggest anything regarding the requirements for funding under ARRA.*