

# H-MOSS® Controls Adaptive Dual (Ultrasonic and Passive Infrared) Ceiling Sensors

# HUBBELL



## Features

- Coverage 1000 sq. ft. (180°), low voltage sensor
- Minimize the risk of false triggering; lights turning ON when the space is un-occupied. Offer the best performance for most applications
- Office White ABS enclosure blends with ceiling tile
- Red LED indicates passive infrared detection and Green LED indicates ultrasonic detection
- "Install and Forget" operation. Auto-adjusting adaptive technology eliminates manual adjustments

## Ordering Information

Description	Device Color	UPC Number	Catalog Number
Low voltage sensor	Office White	783585392448	ATD1000C

## Listings

cULus listed to UL244A  
ASHRAE 90.1 compliant  
CEC Title 24 compliant

## Specifications

Housing	Flame retardant UL 94 V-0 ABS
Lens	Polyethylene
Dimensions	1.5"H x 4.5"D
Mounting Height	8 to 12 feet

## Performance

### Controls

Ambient Light	1 to 1000 foot candles
Sensitivity	Adaptive 0 to 100%
Time Delay	Test (8 seconds), adaptive 8 to 40 minutes

### Electrical

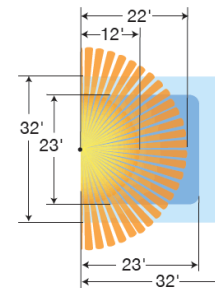
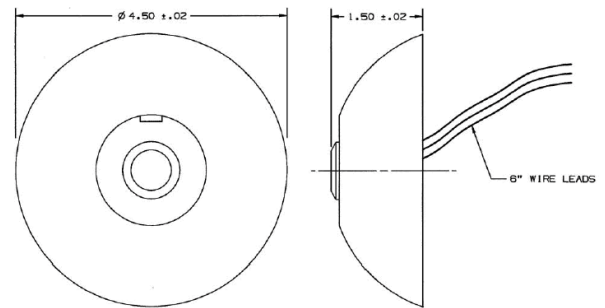
Power Requirements	24V DC nominal, 33mA from Hubbell CU series control unit
--------------------	--

### Environmental

Operating Temperature	32°F to 104°F (0°C to 40°C) with rate of change not exceeding 20°F (11°C) per hour
Storage Temperature	-20°F to 150°F (-29°C to 65°C); 0% to 95% non-condensing relative humidity

### Sensing Indicators

Passive Infrared	Red LED
Ultrasonic	Green LED



## Complementary Products

Control Unit Auto-ON	CU300A
Control Unit Manual-ON	CU300M
Control Unit, HD, Latching, Auto/Manual-ON	CU300HD
Ceiling mount wire guard	ACMG
Ceiling mount raceway adapter	ACMRA

## Online Resources

Customer Use Drawing  
eCatalog  
Installation Instructions

Dimensions in Inches (mm)

Hubbell Wiring Device-Kellems • Hubbell Incorporated (Delaware) • 40 Waterview Drive • Shelton, CT 06484

Phone (800) 288-6000 • Fax (800) 255-1031 • Specifications subject to change without notice.

