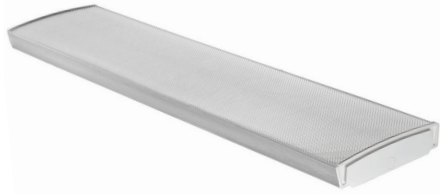


LED WRAP LOW PROFILE LUMINAIRE | POWERED BY OUR LED T8 TUBES



PROJECT NAME

PART NUMBER

So many uses. Ideal for schools, offices, showrooms and a broad variety of commercial and institutional applications. The fixture is designed to safely and quickly replace any existing fluorescent fixture. Includes all of the mounting hardware and electrical connections required. Optional integrated occupancy sensor dims fixture to low energy mode when space is unoccupied.

PART NUMBER BUILDER

MANUFACTURER	MODEL NUMBER	SIZE	TUBES	COLOR TEMP	OPTIONS
RPT	LEDWRAP	24IN 48IN	2T8	3000K 4000K	OCC HI/LO VARIABLE OCCUPANCY SENSOR EMG EMERGENCY BATTERY BACKUP

ORDERING EXAMPLE

RPT-LEDWRAP-24IN-2T8-3000K-OCC

LED WRAP LIGHT ENGINE



INSTALLATION GUIDE

- Turn off power to the fixture.
- Wire and install fixture to wall.
- Install tubes and replace lens.
- Turn on power.

Simplified instructions. Reference full installation guide for more details. Only qualified personnel should perform installation.

QUICK SPECS

INPUT VOLTAGE	100-277V AC
EFFICACY	>130 LPW (light engine)
OPERATING TEMP	-30°C to 45°C
MAX CASE TEMP	50°C
POWER FACTOR/THD	>0.90 Power Factor, THD<10%
CRI	83+
WARRANTY	5 years

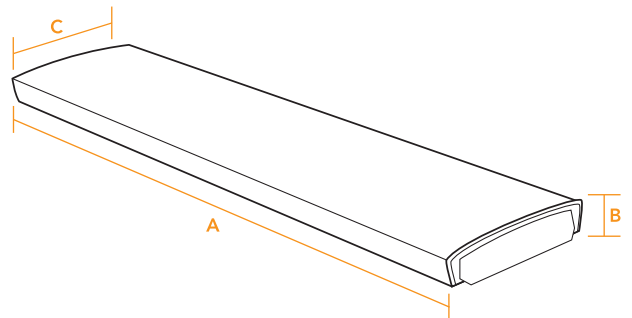
CERTIFICATIONS



PERFORMANCE LISTINGS



DIMENSIONS



DIMENSIONS (INCHES)	A	B	C
RPT-LEDWRAP-24IN	24	11	3.375
RPT-LEDWRAP-48IN	48	11	3.375

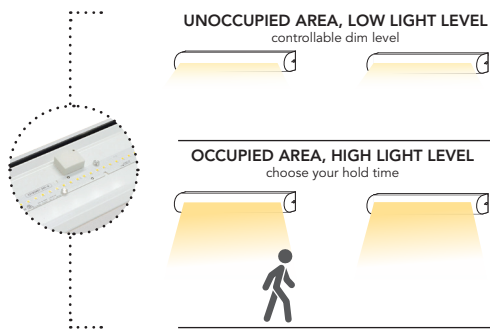
May be protected under the following US patents
US 8,106,569 | US 8,882,298 | Additional patents pending.

LED WRAP LOW PROFILE LUMINAIRE | POWERED BY OUR LED T8 TUBES

ORDERING GUIDE

QUICK SHIP	DLC E*	PART #	FIXTURE LUMEN OUTPUT (LM)	WATTAGE (W)	CCT (K)	VOLTAGE RANGE (V AC)	WARRANTY (YRS)	TRADITIONAL EQUIVALENT	WATTS SAVED (W)
	DLC	RPT-LEDWRAP-24IN-2T8-3000K	1600	18	3000	120-277	5	2 x 25W FL	32
	DLC	RPT-LEDWRAP-24IN-2T8-3000K-OCC	1600	18hi/9lo	3000	120-277	5	2 x 25W FL	32hi/16lo
	DLC	RPT-LEDWRAP-24IN-2T8-4000K	1600	18	4000	120-277	5	2 x 25W FL	32
	DLC	RPT-LEDWRAP-24IN-2T8-4000K-OCC	1600	18hi/9lo	3000	120-277	5	2 x 25W FL	32hi/16lo
	DLC	RPT-LEDWRAP-48IN-2T8-3000K	3200	30	3000	120-277	5	2 x 32W FL	34
	DLC	RPT-LEDWRAP-48IN-2T8-3000K-OCC	3200	30hi/15lo	3000	120-277	5	2 x 32W FL	34hi/17lo
	DLC	RPT-LEDWRAP-48IN-2T8-4000K	3200	30	4000	120-277	5	2 x 32W FL	34
	DLC	RPT-LEDWRAP-48IN-2T8-4000K-OCC	3200	30hi/15lo	3000	120-277	5	2 x 32W FL	34hi/17lo

OPTIONAL FACTORY INSTALLED OCC SENSOR



The LED Wrap can be paired with our integral occupancy sensor for maximum energy savings. Unlike traditional passive infrared or ultrasonic occupancy sensors, this high-frequency sensor can be hidden behind the lens of an existing fixture, eliminating the need for external sensors and providing a clean look.

OPTIONAL FACTORY INSTALLED EMG BACKUP



The fixture can be paired with an Emergency battery backup. Provides over 90 minutes of safe light levels when power goes out. Battery backup is installed in fixture housing without the need for increasing fixture height.