

UL 1686 C1 Pin and Sleeve

200A, 600/250V AC/DC, 4 Pole, 5 Wire

Insulgrip® Pin and Sleeve Plug

HUBBELL



Features

- Impact resistant shroud protects sleeves from bending and breaking
- Locking ring provides UL Type 4X watertight, dust-tight seal
- Catalog number and rating visible while in use
- All-Brass sleeve contacts provide reliable electrical contact

Ordering Information

| | | |
|--|-----------------------------------|---|
| Description Pin and Sleeve, Watertight Insulgrip Plug | UPC 783585011547 | Catalog Number HBL5200PS1W |
| Device Color Aluminum | Grounding Style Style 1 | |

Standards

UL Standard 1682, UL 50, and UL 1010
CSA Certified to CSA Spec. C22.2 No. 159
UL Listed and CSA Certified Type 4X

Specifications

| | |
|-------------------------|---------------------|
| Housing | Valox® 357 |
| Plug Shroud | Aluminum |
| Clamp Nut | Nickel Plated Brass |
| Gland Cap | Rynite® SST35 |
| Retainer | Thermoset Polyester |
| O-Ring, Gaskets & Seals | Neoprene |

Performance

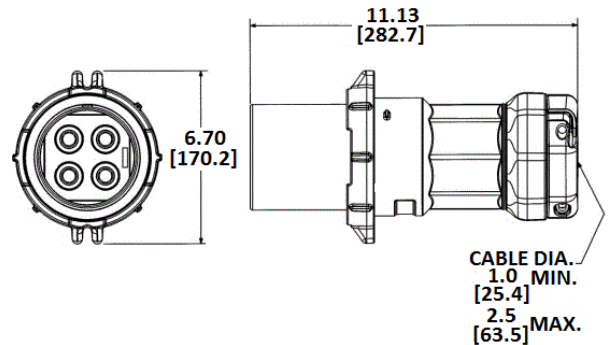
| | |
|--------------------------|---|
| Electrical | |
| Current Interrupting | Certified for current interrupting at full rated current |
| Dielectric Voltage | Withstands 3,000V AC |
| Max. Working Voltage | 600V AC RMS |
| Mechanical | |
| Impact Resistance | Per CSA C22.2, No. 182.1, UL 1682 |
| Product Identification | Identification and ratings are permanently fastened to the device housing |
| Terminal Identification | Terminals identified in accordance with UL 1686(1, 2, 3, Green) |
| Environmental | |
| Flammability (Enclosure) | UL 94V-0 and CSA C22.2 No. 0.17 |
| Moisture Resistance | Type 3, 4, 4X per UL 50E and CSA 22.2, No. 94 |
| Operating Temperatures | Max. Continuous 75°C; Min. -40°C w/o impact -25° with impact |

Accessories

Cord Clamps and Locking Ring
Liquidtight Adapters

Online Resources

Customer Use Drawing
eCatalog
Installation Instructions



Dimensions in Inches (mm)

Hubbell Wiring Device-Kellems • Hubbell Incorporated (Delaware) • 40 Waterview Drive • Shelton, CT 06484

Phone (800) 288-6000 • Fax (800) 255-1031 • Specifications subject to change without notice.

