

# CS8465C



**UPC Code:** 07847732616

**Country Of Origin:** Mexico

*\*Eligible for ARRA funded projects > \$7,443,000*

**NEMA:**  
Non-NEMA



# CS8465C

## Brand Features

Leviton's Black &White 50 Amp, Non-NEMA line of industrial grade locking blade devices feature rugged construction that resists impact, sunlight, chemicals and rough use. All contacts and blades are solid one-piece construction for superior conductivity. Corrosion resistant versions feature nickel plated contacts and blades, plus stainless steel shrouds and screws. The ergonomic, fluted-body design with radial gripping edge is ideal for gripping and pulling. The unique cord clamp accepts a wide range of cord sizes, providing a secure grip without damaging the cord. And, they are backed by a limited lifetime warranty.

## Item Description

50Amp, 480V AC, Non-NEMA, 2P, 3W, Black &White Locking Plug, Industrial Grade, Grounding, California-Style(CS) – BLACK-WHITE

## Technical Information

### Electrical Specifications

**Dielectric Voltage Withstand:** 2000V minimum per UL 498

**Grounding:** Grounding

**Temperature Rise:** Max 30°C temp rise at full-rated current after 150 cycles of OL at 150% rated DC current

**Maximum Working Voltage:** 480V as rated

**Voltage:** 480 Volt

**Current Interrupting:** Certified for current interrupting at full rated current

**Amperage:** 50 Amp

**Wire:** 3

**Pole:** 2

### Environmental Specifications

**Operating Temperature:** -40deg.C to 75deg.C (-40deg.F to 167deg.F)

**Flammability:** UL94V-2

### Material Specifications

**Terminal Set Screw:** SS 302/304

**Ground Shunt:** Bronze

**Wiring Chamber:** Nylon

**Housing Material:** Nylon

**Cable Clamp Screw:** Philips Head, SS 304

**Color:** Black-White

**Ground Post:** Brass

**Plug Blade:** 0.1000inch thick Brass

**Face Module:** Nylon

**Plug Blade Shroud:** SS 302/304

**Terminal Block:** 0.062inch thick Copper

**Standard Cable Clamp:** Nylon

**Dust Shield:** Santoprene TPE

**Assembly Screws:** Brass

### Mechanical Specifications

**Product ID:** Ratings and Catalogue No. molded into face and stamped into shroud

**Terminal ID:** X, W, Y, Z and Green for ground

**Terminal Accom.:** #10 min to #4max AWG Solid or Stranded Wire

**Cord Range:** .680 - 1.125

### Product Features

**Color:** Black-White

**NEMA:** Non-NEMA

### Standards and Certifications

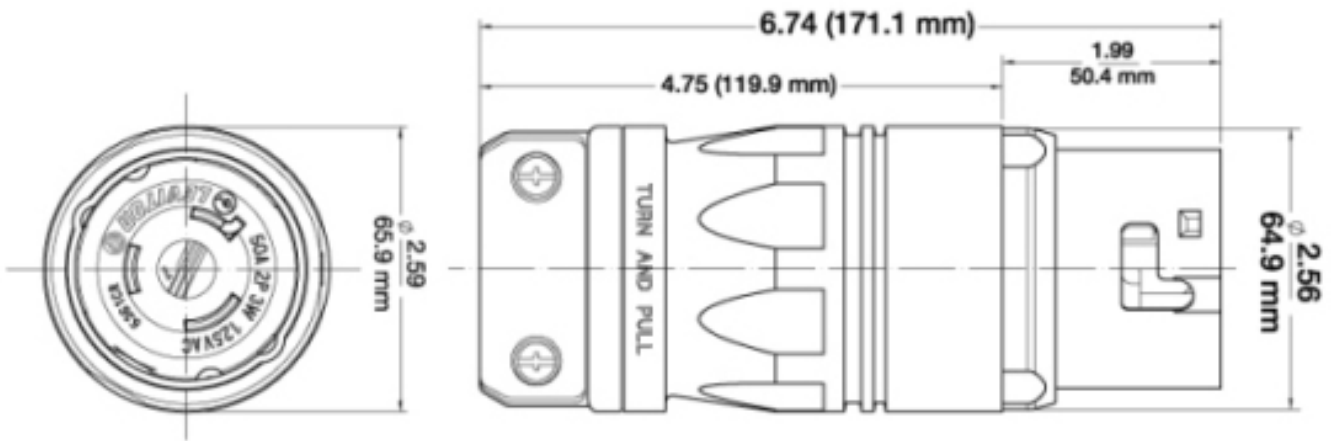
**UL 498:** File E13399

**Warranty:** Lifetime Limited

**CSA C22.2 No. 42:** File 152105

**NOM:** 057

**RoHS:** Compliant



**SPECIFICATION SUBMITTAL**

JOB NAME:	CATALOG NUMBERS:	
<input type="text"/>	<input type="text"/>	<input type="text"/>
JOB NUMBER:	<input type="text"/>	<input type="text"/>

**Leviton Manufacturing Co., Inc.**

201 North Service Road, Melville, NY 11747

Teléfono: +1-800-323-8920 · FAX: +1-800-832-9538 · Tech Line (8:30AM-7:30PM E.S.T. Monday-Friday): +1-800-824-3005

**Leviton Manufacturing of Canada, Ltd.**

165 Hymus Boulevard, Pointe Claire, Quebec H9R 1E9 · Telephone: +1-800-469-7890 ·

FAX: +1-800-824-3005 · [www.leviton.com/canada](http://www.leviton.com/canada)

**Leviton S. de R.L. de C.V.**

Lago Tana 43, Mexico DF, Mexico CP 11290 · Tel.: (+52)55-5082-1040 · FAX: (+52)5386-

1797 · [www.leviton.com.mx](http://www.leviton.com.mx)



Visit our Website at: [www.leviton.com](http://www.leviton.com)

© 2012 Leviton Manufacturing Co., Inc. Todos los derechos reservados. Subject to change without notice.

**Leviton has a global presence.**

If you would like to know where your local Leviton office is located please go to:

[www.leviton.com/international/contacts/](http://www.leviton.com/international/contacts/)

*\*Leviton is the smart choice, providing the most comprehensive range of solutions to meet the needs of today's residential, commercial and industrial buildings. Leveraging more than a century of experience, Leviton helps customers create sustainable, intelligent environments through its electrical wiring devices, network and data center connectivity solutions, and lighting energy management systems. From switches and receptacles, to daylight harvesting controls, networking systems, and equipment for charging electric vehicles, Leviton solutions help customers achieve savings in energy, time and cost, all while enhancing safety.*