



# MR16/GU10/PAR16

## 7MR16/F35 2700 DIM AF2 10/1

Philips MR16 Dimmable LED Lamps provide ambient level light to illuminate hard to maintain applications. Increased transformer compatibility allows for operation on a wider range of transformers. Available in dimmable and non-dimmable versions, these lamps are ideal for track and open recessed fixtures in retail, hospitality and residential spaces.

### Product data

General Information	
Cap-Base	GU5.3 [ GU5.3]
Bulb Shape	MR16 [ 2inch/50mm]
Nominal Lifetime (Nom)	40000 h
Switching Cycle	50000X
Technical Type	7-35W
Light Technical	
Color Code	827 [ CCT of 2700K]
Beam Angle (Nom)	36 °
Light Distribution	Medium beam 36°
Luminous Intensity (Nom)	1150 cd
Color Designation	Warm White (WW)
Rated Beam Angle	36 °
Correlated Color Temperature (Nom)	2700 K
Luminous Efficacy (rated) (Nom)	57.14 lm/W
Color Consistency	<6
Color Rendering Index (Nom)	80
LLMF At End Of Nominal Lifetime (Nom)	70 %
Luminous Flux In 90° Cone (Rated)	400 lm

Operating and Electrical	
Power (Rated) (Nom)	7 W
Lamp Current (Nom)	720 mA
Wattage Equivalent	35 W
Starting Time (Nom)	0.5 s
Warm Up Time To 60% Light (Nom)	1 s
Power Factor (Nom)	0.7
Voltage (Nom)	12 V
Temperature	
T-Case Maximum (Nom)	92 °C
Controls and Dimming	
Dimmable	Yes
Approval and Application	
Energy Saving Product	Yes
Suitable For Accent Lighting	Yes
Energy Efficiency Label (EEL)	A
Energy Consumption kWh/1000 h	8 kWh

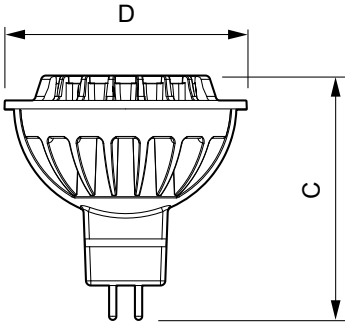
# MR16/GU10/PAR16

## Product Data

Order product name	7MR16/F35 2700 DIM AF2 10/1
EAN/UPC - Product	046677457471
Order code	929001153104
Numerator - Quantity Per Pack	1

Numerator - Packs per outer box	10
Material Nr. (12NC)	929001153104
Net Weight (Piece)	0.045 kg

## Dimensional drawing



LED D 7-35W 827 MR16 36D

Product	D	C
7MR16/F35 2700 DIM AF2 10/1	50.5 mm	50.5 mm

Photometric data

Accent Lighting - Spots

