

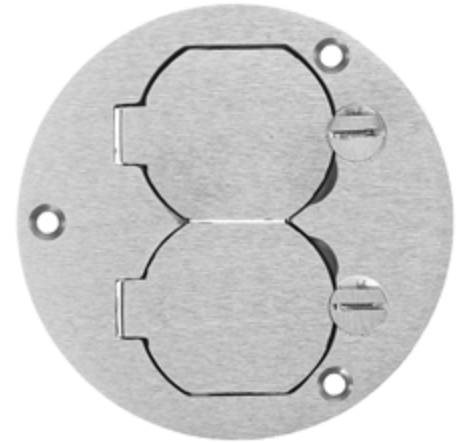
**Floor Boxes**  
**Accessories**  
**Round Covers**

# HUBBELL



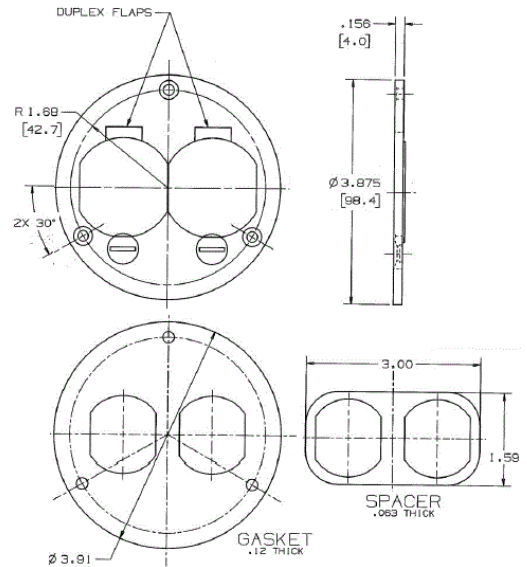
**Ordering Information**

| Description     | Material | UPC          | Catalog Number |
|-----------------|----------|--------------|----------------|
| Round Floor Box | Aluminum | 783585133508 | SA3925         |



**Specifications**

|               |             |
|---------------|-------------|
| Cover Style   | Round       |
| Cover Finish  | Aluminum    |
| Cover Opening | Duplex Flap |



**Online Resources**

- Customer Use Drawing
- eCatalog
- Installation Instructions

Dimensions in Inches (mm)

Hubbell Wiring Device-Kellems • Hubbell Incorporated (Delaware) • 40 Waterview Drive • Shelton, CT 06484

Phone (800) 288-6000 • Fax (800) 255-1031 • Specifications subject to change without notice.

