

Combining LED exit illumination with reliable LED lamp heads, this attractive low-profile design offers maintenance-free, long life dependable service. Easily mounts above doors and in restricted spaces to fit any application.

**FEATURES**

- LED exit combo where each of the heads contain 8 long lasting, efficient, ultra-bright white LEDs using 1.1 watts per head
- Easy to install, snap together design
- Rugged, injection-molded UL94 5VA flame retardant, high-temperature thermoplastic housing
- Remote capable - up to 2 MLED remote heads
- Universal style - includes 2 face plates, a back plate and mounting canopy
- Charge rate/power "ON" LED indicator light with test button
- Low voltage disconnect eliminates deep discharge
- Maintenance-free NiCad battery
- Ceiling or wall mount
- UL listed 90 minute emergency run time, 24 hour recharge time
- Constant, uniform illumination by long-life, high intensity, red or green LEDs
- Fully-illuminated 6" characters with 3/4" stroke
- Optional Guardian Self-Test/ Self-Diagnostics (G2) available
- Field selectable directional chevron knockouts
- 120/277V dual primary, 60Hz input
- Standard finishes: Black or White
- Suitable for damp location

Model: \_\_\_\_\_ Date: \_\_\_\_\_  
 Accessories: \_\_\_\_\_  
 Job Name: \_\_\_\_\_ Type: \_\_\_\_\_



**WARRANTY**

Any component that fails due to manufacturers defect is guaranteed for 5 years with a separate 5 year pro-rated warranty on the battery. The warranty does not cover physical damage, abuse or acts of God. See the full Exitronix warranty document for detailed information.

**ORDERING INFORMATION Example: VLED-U-WH-EL90-G2**

Series	Style	Finish	Type	Options (Factory Installed)	Accessories <sup>4</sup> (Field Installed)
VLED = Red	1 = Single Face	WH = White	EL90 = LED Lamps	G2 = Self-Test/Self-Diagnostics	ER1-KIT <sup>3</sup> = 1' Pendant Mount Kit
GVLED = Green	U <sup>1</sup> = Universal	BL = Black		R <sup>2</sup> = Remote Capability	ER2-KIT <sup>3</sup> = 2' Pendant Mount Kit
					VEPA = Pendant Adapter
					WG-5 = Wire Guard (Back Mount)
					XG-EL90 = Poly Guard (Back Mount)

**Notes**

<sup>1</sup> Universal includes 2nd exit face and backplate

<sup>2</sup> For use with single or double MLED remote lamps only

<sup>3</sup> Requires VEPA option

<sup>4</sup> Order as separate line item

## CONSTRUCTION

The VLED-EL90 series is constructed of a precision-molded housing utilizing 5VA flame retardant, corrosion proof, UV stable thermoplastic. N.F.P.A. approved Field-selectable chevrons. Units resist denting, peeling, scratching and corrosion.

## ILLUMINATION

Fully illuminated 6" letters with 3/4" stroke is achieved with high output, long lasting red or green LEDs. An exclusive color-matched diffuser eliminates hot spots and striations, providing optimal light output.

## EMERGENCY LIGHTS

6 volt, 1.1 watt high intensity LED lamp heads.

## ELECTRICAL

### Input

Dual-voltage input 120 or 277VAC @ 60Hz.

### Nickel Cadmium Battery – NiCad

Exitronix nickel cadmium batteries are maintenance-free with a life expectancy of 15 years. Nickel cadmium batteries offer high discharge rates and continue to perform in a vast temperature range from 32°F - 104°F (0°C - 40°C).

### Emergency

The VLED-EL90 series exit will operate for a minimum of 90 minutes during a loss of power with a 24 hour maximum recharge time for the battery.

### Low Voltage Disconnect

Low Voltage Disconnect (LVD) measures the battery terminal voltage. The LVD continuously monitors the battery terminal voltage and if it should fall below a preset voltage threshold, the LVD will disconnect the load. When the battery is recharging and voltage is raised above another preset voltage threshold, the load is automatically reconnected.

### Solid-State Transfer

The circuit features solid-state switching for emergency lamps, eliminating concerns of damaged contact or mechanical failures associated with relays. The switching circuit detects a loss of line voltage and automatically switches to emergency mode.

### Test Button

The test button is easy to locate and provides manual verification of the transfer circuit and emergency lamps.

## INSTALLATION

Simple snap together universal design allows for faceplate and back plate to be fully interchangeable. Mounting canopy is supplied with all signs and snaps into enclosure with two positive locking tabs.

### Damp Location Rated

Damp location rated fixture that is normally or periodically subject to condensation of moisture in, on or adjacent to, and includes partially protected locations.

## Guardian Self-Test/ Self-Diagnostics (Option: G2)

The Guardian Bi-Color Circuit is factory preset; without any field adjustments needed. It continuously monitors the performance condition of the AC power, battery supply, and charging circuitry.

The intent of this option is to provide visual signaling to identify fault at the Exit. Fault indicators are as follow:

**Battery Disconnection:** (Steady RED)

**Battery Recharge Failure:** (Flashing RED)

**Battery Failure:** (RED Blinking '2' times)

**LED Failure:** (RED Blinking '3' times)

## Remote Capable (Option: R)

The R option provides this unit with an additional 2.2 watts of remote capacity for use with (2) CLED or (1) 2CLED remote lamps.

## CONFORMANCE TO CODES & STANDARDS

The VLED-EL90 Series is UL listed and meets or exceeds the following: UL 924, NEC requirements and NFPA 101.

## REMOTE LAMPS (Order Separately)

### FEATURES

- Each lamp contains 8 long lasting, efficient ultra-bright white LEDs
- For use with VLED-EL90 or CLED combo units only
- Wet location option available



Single Lamp with  
Weatherproof (WP) Option



Double Lamp with  
No Options

## REMOTE ORDERING INFORMATION

Example: MLED1-W-G2

Series <sup>1</sup>	Finish	Options
MLED1 = Single Remote Lamp	B = Black	G2 <sup>2</sup> = Self Test / Diagnostics
MLED2 = Double Remote Lamp	G = Gray	WP <sup>3</sup> = Weatherproof Applications
	W = White	

### Notes

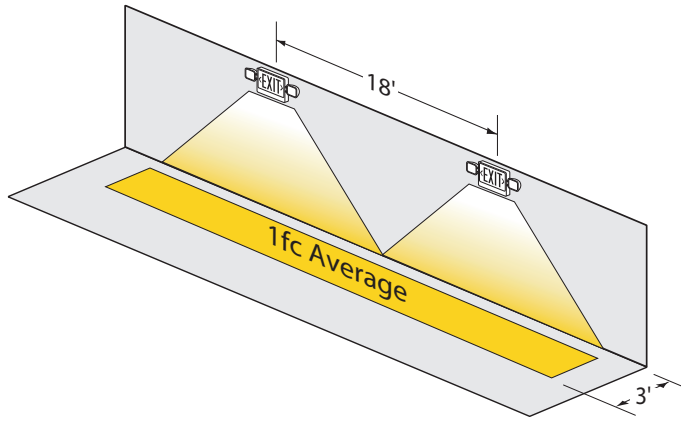
<sup>1</sup> Order remote lamps as separate line item

<sup>2</sup> Unit powering remote lamp head must also have G2 option

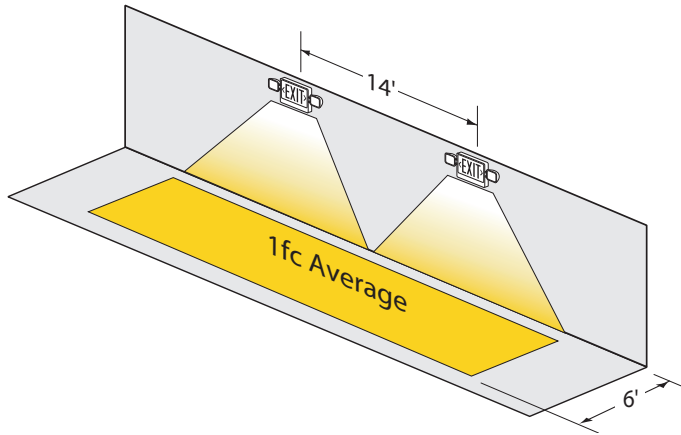
<sup>3</sup> WP option available in Black or Gray finish only

### SPACING GUIDES

Using multiple units mounted at a typical 7.17' delivers 18' center-to-center spacing on a 3' wide egress path.



Using multiple units mounted at a typical 7.17' delivers 14' center-to-center spacing on a 6' wide egress path.



### DIMENSIONS

