



# Dimmable LED Retrofit Kit

ASD LED Recessed Retrofit Kit was designed as an energy-efficient lighting solution for remodeling or new construction projects. It is an ideal replacement for an incandescent lamp in the industry's most popular 4" and 6" applications. This fixture uses an EZ and E26 screw connector making self-installation quick and easy. Just screw it in as you would a lightbulb. ASD LED Recessed Retrofit Kits are dimmable and suitable for damp locations. This product is great for residential and business purposes. It is widely used in offices, stores, hospitals, residential houses and hotels.



## FEATURES AND BENEFITS:

- ▶ Replaces incandescent lamps up to 85W
- ▶ Perfect fit for most 4" and 6" recessed downlight fixtures
- ▶ 2700K and 4000K CCT available
- ▶ Dimmable
- ▶ Newest technology SMD LED chips
- ▶ CRI > 80
- ▶ Beam angle: 110°
- ▶ L70 rated lifespan > 35,000 Hrs
- ▶ Consumes up to 80% less energy
- ▶ Doesn't need time to warm up, provides bright light immediately upon turning on
- ▶ Suitable for dry and damp locations
- ▶ UL certified
- ▶ Energy Star listed
- ▶ 5 Year Warranty



## DIMMABLE LED RETROFIT KITS:

Model	Equivalent wattage	Watts	Dimming	CCT	Lumens	Dimensions (L x W x H)
ASD-DL01D4-7.5W-27	50W	7.5 W	yes	2700 K	525 lm	3.0" x 5.0"
ASD-DL01D4-7.5W-40	50W	7.5 W	yes	4000 K	525 lm	3.0" x 5.0"
ASD-DL01D6-11.5W-27	65W	11.5 W	yes	2700 K	747.5 lm	3.2" x 7.3"
ASD-DL01D6-11.5W-40	65W	11.5 W	yes	4000 K	747.5 lm	3.2" x 7.3"
ASD-DL01D6-18W-27	85W	18 W	yes	2700 K	1170 lm	3.2" x 7.3"
ASD-DL01D6-18W-40	85W	18 W	yes	4000 K	1170 lm	3.2" x 7.3"





# Dimmable LED Retrofit Kit

## PRODUCT SPECIFICATIONS:

Construction & Materials			
Housing	Aluminum		
Reflector	Plastic (PMMA)		
Finish Color	White		
Weight	ASD-DL01D4-7.5W-27 ASD-DL01D4-7.5W-40	ASD-DL01D6-11.5W-27 ASD-DL01D6-11.5W-40	ASD-DL01D6-18W-27 ASD-DL01D6-18W-40
	0.88 lb (0.4 kg)	1.3 lb (0.59 kg)	1.38 lb (0.63 kg)

Environmental System	
Work Environment	Suitable for Damp Locations
Operating Temperature	-4~104°F
Lifetime	35,000 Hrs.

Optical System			
Luminous Flux	ASD-DL01D4-7.5W-27 ASD-DL01D4-7.5W-40	ASD-DL01D6-11.5W-27 ASD-DL01D6-11.5W-40	ASD-DL01D6-18W-27 ASD-DL01D6-18W-40
	525 lm	747.5 lm	1170 lm
Luminous Efficacy	70 lm/w	65 lm/w	65 lm/w
Color Temperature	2700 K, 4000 K		
CRI	80		

Electrical System			
Input Voltage	120 V, 60 Hz		
Off State Power	0 W		
Power Consumption	ASD-DL01D4-7.5W-27 ASD-DL01D4-7.5W-40	ASD-DL01D6-11.5W-27 ASD-DL01D6-11.5W-40	ASD-DL01D6-18W-27 ASD-DL01D6-18W-40
	7.5 W	11.5 W	18 W
Power Factor	≥ 0.8		
Output voltage	48 V	72 V	60 V
Max current	130 mA	130 mA	245 mA

Regulatory & Voluntary Qualifications
5-year limited warranty
UL certified E475148
Energy Star listed

Compatible Dimmers		
Brand	Series	Model
Lutron	Lumea Diva Diva Skylark Rotary Skylark	LG-600H-AL DVW-603PGH-WH C.L. DVWCL-153PH-AL S-600PH-WH FS-5FH-DK S-600H-WH



# Dimmable LED Retrofit Kit

## DIMMABLE LED RETROFIT KITS ORDERING INFORMATION:

### Type: 4 inch

Data \ Model	ASD-DL01D4-7.5W-27	ASD-DL01D4-7.5W-40
Type	4 inch	4 inch
Watts	7.5 W	7.5 W
CCT	2700 K (warm white)	4000 K (bright white)
GTIN 12	859961005346	859961005353
GTIN 14	10859961005343	10859961005350
Product Code	021.0301	021.0302
Pcs in one Carton	6	6
Carton Size	14.3"x11.4"x7.0"	14.3"x11.4"x7.0"
Carton Weight	5.3 lbs	5.3 lbs

### Type: 6 inch

Data \ Model	ASD-DL01D6-11.5W-27	ASD-DL01D6-11.5W-40
Type	6 inch	6 inch
Watts	11.5 W	11.5 W
CCT	2700 K (warm white)	4000 K (bright white)
GTIN 12	859961005360	859961005377
GTIN 14	10859961005367	10859961005374
Product Code	021.0303	021.0304
Pcs in one Carton	6	6
Carton Size	16.2"x16.0"x9.6"	16.2"x16.0"x9.6"
Carton Weight	7.8 lbs	7.8 lbs

### Type: 6 inch

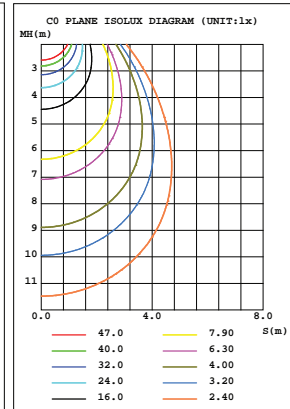
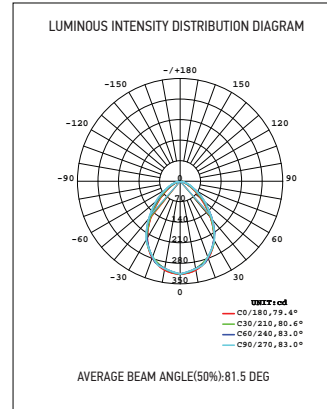
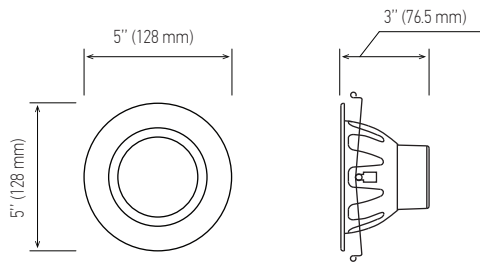
Data \ Model	ASD-DL01D6-18W-27	ASD-DL01D6-18W-40
Type	6 inch	6 inch
Watts	18 W	18 W
CCT	2700 K (warm white)	4000 K (bright white)
GTIN 12	859961005384	859961005391
GTIN 14	10859961005381	10859961005398
Product Code	021.0305	021.0306
Pcs in one Carton	6	6
Carton Size	16.2"x16.0"x9.6"	16.2"x16.0"x9.6"
Carton Weight	8.37 lbs	8.37 lbs



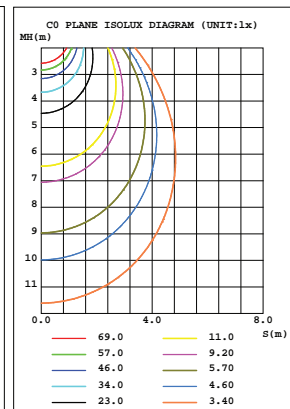
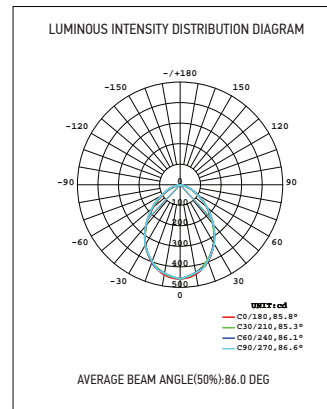
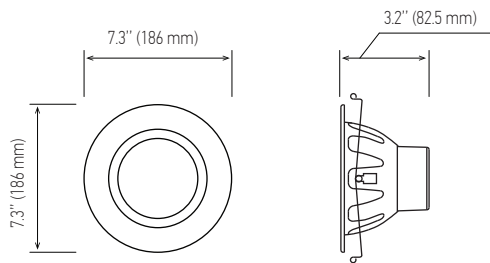


# Dimmable LED Retrofit Kit

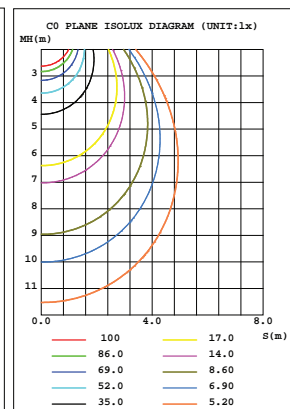
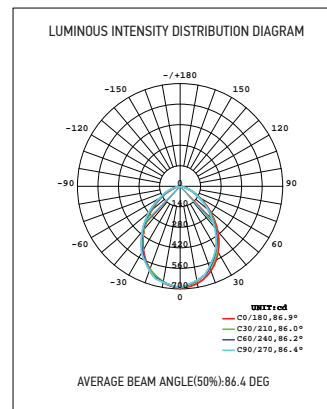
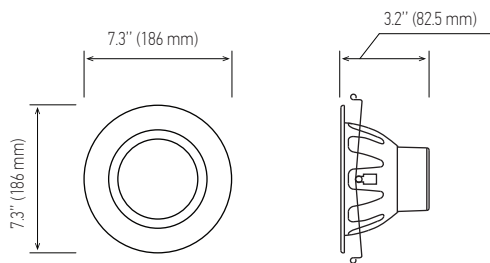
## 7.5W ASD-DL01D4-7.5W-27, ASD-DL01D4-7.5W-40



## 11.5W ASD-DL01D6-11.5W-27, ASD-DL01D6-11.5W-40



## 18W ASD-DL01D6-18W-27, ASD-DL01D6-18W-40





# Dimmable LED Retrofit Kit

## **⚠ WARNING**

### **RISK OF PERSONAL INJURY – READ and follow all WARNINGS and installation instructions.**

Keep or give to the owner for future reference.

**Risk of fire or electric shock:** Installation requires knowledge of luminaire electrical systems. If not qualified, do not attempt installation. Contact a qualified electrician.

- ✓ Disconnect power at fuse or circuit breaker before installing or servicing.
- ✓ To prevent overheating do not install in totally enclosed recessed fixtures.
- ✓ Install this kit only in luminaires that have the construction features and dimensions shown in the photographs and/or drawings.
- ✓ To prevent wiring damage or abrasion, do not expose wiring to edges of sheet metal or other sharp objects.
- ✓ Do not make or alter any open holes in an enclosure of wiring or electrical components during kit installation.
- ✓ Installers should not disconnect existing wires from lampholder terminals to make new connections at lampholder terminals. Instead installers should cut existing lampholder leads away from the lampholder and make new electrical connections to lampholder leads wire by employing applicable connectors.

This product is not intended for use in emergency light fixtures or exit signs. Not for use where exposed directly to the weather or water.

## **⚠ CAUTION**

- The fixture body is one piece. Do not disassemble it.
- This unit is intended for indoor use only.

## **⚠ NOTICE**

- This device complies with Part 15 of the FCC Rules. Operation is subject to the following two conditions: (1) This device may not cause harmful interference, and (2) this device must accept any interference received, including interference that may cause undesired operation.
- Minimum Lamp Compartment Dimensions:
  - Minimum Lamp Compartment Dimensions 3.94(DIA) x 5.51(H) inch for ASD-DL01D4-7.5W-27, ASD-DL01D4-7.5W-40
  - Minimum Lamp Compartment Dimensions 5.51(DIA) x 7.4(H) inch for ASD-DL01D6-11.5W-27, ASD-DL01D6-11.5W-40, ASD-DL01D6-18W-27, ASD-DL01D6-18W-40
- This equipment has been tested and found to comply with the limits for a Class B digital device, pursuant to part 15 of the FCC Rules. These limits are designed to provide reasonable protection against harmful interference in a residential installation. This equipment generates, uses and can radiate radio frequency energy and, if not installed and used in accordance with the instructions, may cause harmful interference to radio or television reception, which can be determined by turning the equipment off and on. The user is encouraged to try to correct the interference by one or more of the following measures:
  - Reorient or relocate the receiving antenna.
  - Increase the separation between the equipment and the receiver.
  - Connect the equipment into an outlet on a circuit different from that to which the receiver is connected.
  - Consult the dealer or an experienced radio/TV technician for help.
- This Class B digital apparatus complies with Canadian ICES-003.



# Dimmable LED Retrofit Kit

## INSTALLATION GUIDE

### IMPORTANT SAFETY INFORMATION:

**Please read all the instructions below before installation.**

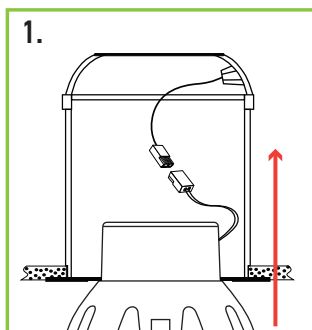
Before beginning assembly of product, make sure all parts are present. Compare parts with package contents list and hardware contents list. If any part is missing or damaged, do not attempt to assemble the product.

**Estimated Assembly Time:** 5 minutes

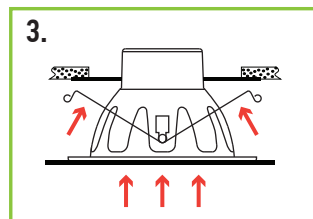
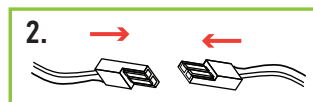
No tools are required for assembly.

### INSTALLATION STEPS

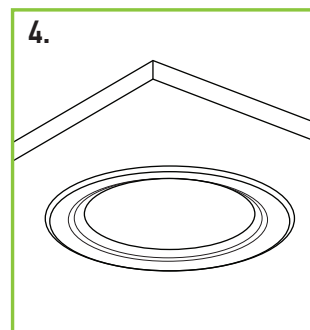
#### EASY INSTALLATION 1 (with ez connect housing)



1. Turn off the main power

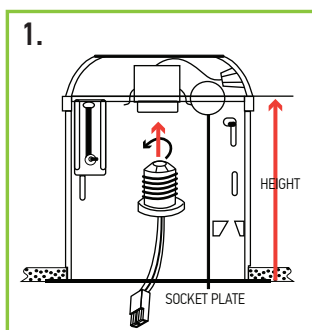


2. Connect the terminals  
3. Attach the torsion springs to the brackets of the recessed can

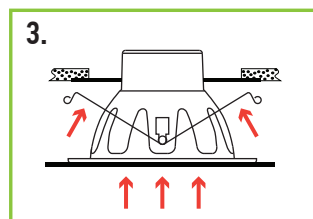
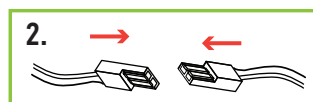


4. Insert the Retrofit Kit into the recessed housing unit

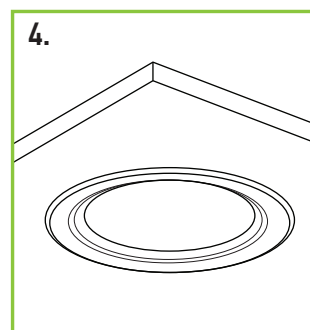
#### EASY INSTALLATION 2 (with standard socket housing)



1. Turn off the main power



2. Connect the terminals  
3. Attach the torsion springs to the brackets of the recessed can



4. Insert the Retrofit Kit into the recessed housing unit