

Specification Sheet

LED12W700iB with Enclosure

LED12W700i



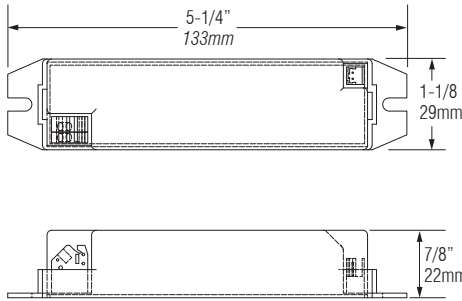
CONSTANT CURRENT OUTPUT LED DRIVER

Features:

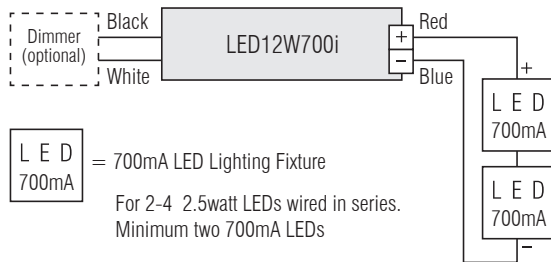
- Protection: Short circuit and overload protection
- Over Temperature Protection
- Type 1 Outdoor, suitable for dry and damp locations (IP20)

AC Input Voltage:	120 VAC ± 10% Dedicated
AC Input Frequency:	50/60Hz
DC Output Voltage:	8-17 VDC
DC Output Current:	700mA Constant
Output Wattage:	12W Max.
Short Circuit Protection:	Yes
Overload Protection:	Yes
Thermal Protection:	Yes
Dimming Function:	Dimmable with ELV dimmer (trailing edge)
Maximum Case Temperature:	90°C (194°F)
Case Material:	Polycarbonate casing
Weight:	0.33lbs (150g).
Approval:	UL

Dimension:



Driver Diagram:



Note: Consult factory for maximum wiring length.

Caution: Do not install on-off switch at the output (load) side of a constant current LED driver as it will damage the fixture(s). Warranty will be void on both driver and fixture(s).

***USE WITH EBX-160-ZP ENCLOSURE**

ORDER CODE	ENCLOSURE
LED12W700i	B
	B = drive enclosure (6-1/4" x 5" x 2")

[Project]

[Quantity]

[Notes]



t 604.708.1184 f 604.708.1185 www.mplighting.com
16 West 4th Avenue, Vancouver BC, Canada, V5Y 1G3