

Catalog Number: \_\_\_\_\_ Type: \_\_\_\_\_

Project: \_\_\_\_\_

Comments: \_\_\_\_\_ Date: \_\_\_\_\_

# LED Large Wallpack



LED Large Wallpacks are energy efficient alternatives - only 66W delivering up-to 5531 lumens - replacing up-to 400W Metal Halide fixtures. The performance engineered LED technology delivers consistent color and CRI for a uniform installation and improves lumen maintenance for long useful rated life. LED Large Wallpack offers 0-10V dimming standard with low voltage leads supplied in the integrated driver. LED Large Wallpacks are IP65 rated for outdoor use.<sup>1</sup> Applications include security lighting, parking areas, car lots, gas stations, walkways, work areas, parks and playgrounds. LED Large Wallpack is backed by a 5-Year Limited Warranty.

<sup>1</sup> IP65 Rated fixtures are rated for use outdoors where exposed directly to water from rain or irrigation.

## Performance Specifications

<b>CRI</b> _____	85	<b>Min. Start Temp.</b> _____	-40°F (-40°C)
<b>Rated Life</b> _____	50,000 hour life	<b>Max. Operating Temp.</b> _____	113°F (45°C)
<b>Watt</b> _____	66W	<b>Power Factor</b> _____	>90%
<b>Lumens</b> _____	5531	<b>THD</b> _____	<20%
<b>Lumens per Watt (LPW)</b> _____	83	<b>Warranty</b> _____	5-Year Limited
<b>Input Line Voltage</b> _____	100-277V	<b>Control</b> _____	0-10V Dimmable
<b>Input Line Frequency</b> _____	50/60 Hz	<b>Weight</b> _____	16 lbs.

## Energy Savings

System	System Wattage	Replacement LED	Wattage	Energy Savings
250W Metal Halide	295W	WP3/CL66BZ50/LED	66W	77%

## Construction

- Die-cast aluminum housing with hinged lens and captive screws
- Molded prismatic borosilicate glass lens
- Silicone gaskets
- Textural architectural bronze powdercoat finish
- CSA listed for wet locations

## Accessories

- Wire Guard Wallpack - WG3/WP3 - 99802
- PhotoCell 110-130V (SWIVEL) - PCS/120V - 99815
- PhotoCell 208-277V (SWIVEL) - PCS/277V - 99816

Accessories include hardware.

## Installation

- Mounts directly over a 4" recessed outlet box
- Removable 1/2" threaded plugs with O-rings for conduit access and photocell provision

## Electrical

- 100V-277V input range
- 50/60 Hz input frequency
- 0-10V dimming standard
- Voltage sensing 100-277V dimmable driver
- Electrical snap-in connectors to simplify wiring and installation

## Ordering Information



Watt	Product #	Product Code	Volts	Color Temp.	CRI	Lumens	Useful Life*	Dimmable	Fixture Size L x H	Wattage Equivalent
66 Watt	99909	WP3/CL66BZ50/LED	100-277V	5000K	85	5531	50000	0-10V	18" x 9"	250W Metal Halide

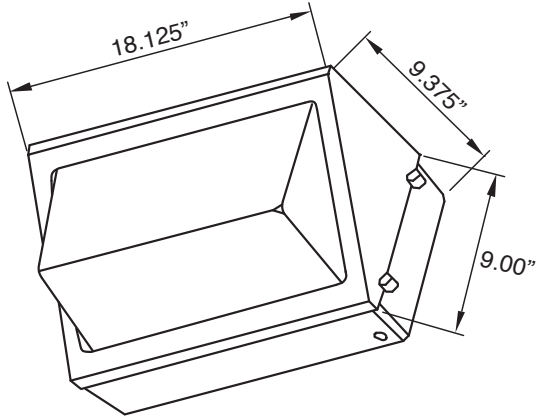
\* Useful Life is defined as the point in time at which the lamp will maintain at least 70% of its initial lumens. The lamp will continue to operate past this point at decreased light levels. May not be compatible with all dimming systems, dimming performance may vary by system.

\*\* Check the latest update at [www.DesignLights.org](http://www.DesignLights.org) for listed product catalog numbers. Not all versions are listed.



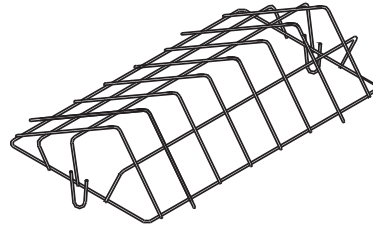
# LED Large Wallpack

## Dimensions

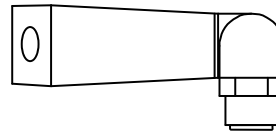


## Accessories

99802

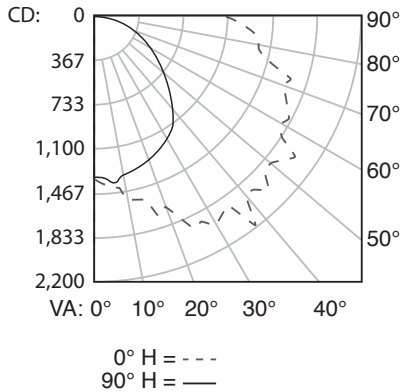


99815, 99816

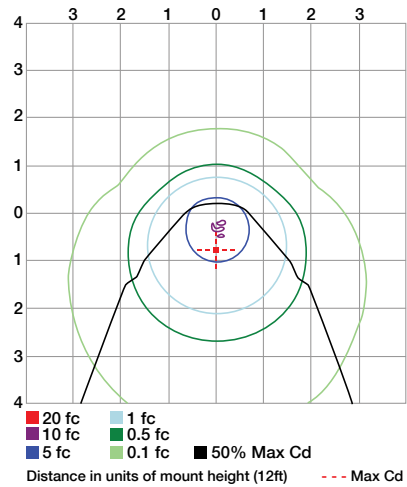


## Photometrics

### Polar Candela Distribution Plot



### Isofootcandle Plot



### Illuminance at a Distance

Height(ft)	Center Beam	Beam Spread(ft)		Field Spread(ft)	
	Footcandle	Horizontal	Vertical	Horizontal	Vertical
2.0	332.8 fc	4.3	5.0	21.9	35.9
4.0	83.2 fc	8.5	9.9	43.8	71.9
6.0	37.0 fc	12.8	14.9	65.7	107.8
8.0	20.8 fc	17.1	19.8	87.6	143.8
10.0	13.3 fc	24.8	24.8	109.5	179.7
12.0	9.2 fc	29.8	29.8	131.4	215.7
		<b>Beam Angle</b>		<b>Field Angle</b>	
		93.7°	102.2°	159.3°	167.3°