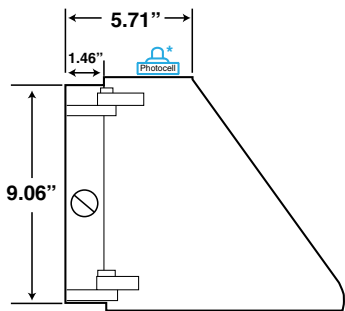


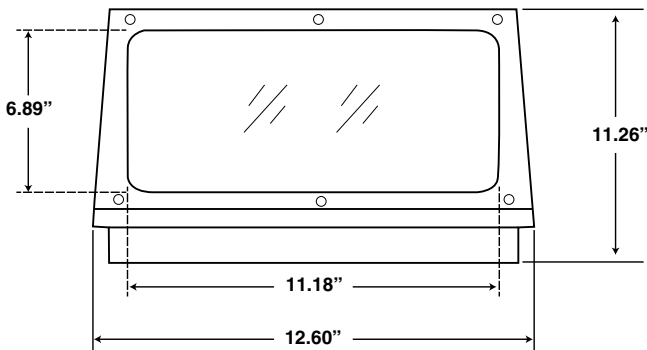
## SMALL WALL PACK: FULL CUTOFF WPCS SERIES



WPCS30A



\*Option: Photocell



### PRODUCT DESCRIPTION:

Up to 80% more energy efficient than the fixtures they replace, MaxLite's full cutoff wall packs allow for a quick and maintenance-free upgrade to LED lighting. Deploying light only downwards with minimal glare, the fixtures meet cutoff criteria established by the IESNA.

### FEATURES:

- Replaces up to 150 Watt Metal Halide
- 145,000-hour L70 lifetime, TM-21 standards @ 25°C
- Heavy-duty cast aluminum housing is polyester powder coated to be rust and corrosion proof
- High-quality shatter-resistant glass
- Sealed fixture is dirt and bug free
- Top, bottom, and side knockouts for mounting convenience
- Available with Dusk to Dawn sensor
- 0-10V dimming driver standard; compatible with IEC 60929 rated fluorescent or LED 0-10V dimmers
- LM-79/80 data available

### CONTROLS:

**120-277VAC Photocontrol:** Voltage-specific photocontrols power the fixture when light levels reach 20 lux or below, and turn it off at 30 lux or higher. The operating temperature of the photocontrols are -30°F-120°F. Photocell mounted external.

### PHOTOMETRICS:

All .IES files available online. Please see page 3 for Iso-footcandle layouts.

#### MODEL SELECTION (Full list of order codes on pg. 2)

Typical order example: WPCS30AU50BPC12

WPCS		A	U	50		
FAMILY	NOMINAL POWER, EQUIVALENCY	GENERATION	VOLTAGE	CCT	FINISH	CONTROL
WPCS= Small Wall Pack, Cutoff	30= 30W, 150W MH equivalent	A= Generation A	U= 120-277V, std. 3= 347V	50= 5000K	B= Bronze, std W= White	(OMIT)= None PC12= 120V Photocontrol PC27= 277V Photocontrol

**SPECIFICATIONS:**

**WPCS30AU50XXXX**

ITEM	SPECIFICATION	30 WATTS - DETAILS
<b>GENERAL PERFORMANCE</b>	Input Power (W)	26
	Lumens Delivered (lm)	3025
	Efficacy (lm/W)	117
	CRI	≥80
	Lumen Maintenance (L70, TM-21 @ 25°C)	≥145,000
	Color Temperature	5000K
	Spacing Criteria	Available Upon Request
	Color Consistency	Proprietary binning for uniform color
<b>ELECTRICAL</b>	Power Factor (120V/277V)	0.99/0.94
	Input Voltage	120-277V standard; 347V available
<b>PHYSICAL</b>	Housing	Aluminum
	Lens	High quality shatterproof glass
	Mounting	Fits electrical box or mount directly
<b>CERTIFICATIONS</b>	Material Usage	RoHS compliant; no mercury
	Environment	Outdoor, Wet location
	Certification	LM-79, LM-80, TM-21, cULus, DLC Premium
	Warranty	5 years

**ORDERING\*:**

ORDER CODE	MODEL	OPTIONS	VOLTAGE	FINISH	NOMINAL WATTAGE	CCT
95233	WPCS30AU50B	None	120-277V	Bronze	30	5000K
95230	WPCS30AU50BPC12	120-277V Photocontrol				
95234	WPCS30AU50WPC12	120-277V Photocontrol				
95245	WPCS30A350W	None	347V	White		

\*Please contact your MaxLite representative to order products that don't have order codes listed here.

**CONSTRUCTION:**

**Fixture:** Heavy-duty cast aluminum one-piece housing; polyester coated; rust and corrosion proof. Fixture is sealed to be dirt and bug proof.

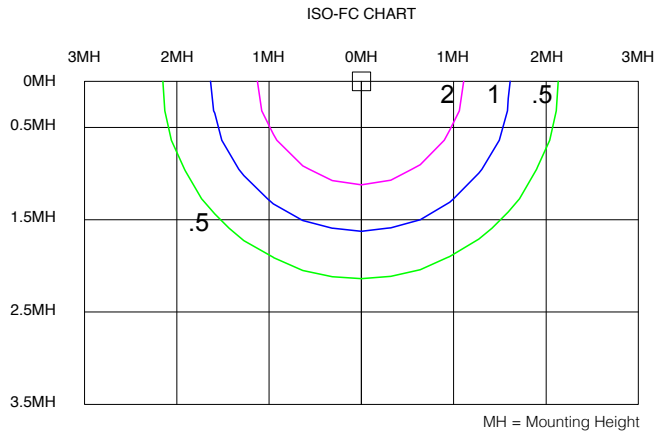
**Lens:** High quality anti-shock boron glass

**LED Module:** Copper plating to provide high thermal transfer rate minimizing junction temperature of LED

**Finish:** Dark Bronze or textured white finish available

**PHOTOMETRICS:**

**WPCS30AU50B**



WPCS30AU50B  
3028 Lumens  
15' Mounting Height

Foot-candle Correction Factor:

New Height:	10'	12'	15'	18'	20'
Multiply by:	2.25	1.6	1.0	.69	.56