



Energy Saver Reflectors

EL/A PAR38 23W BLUE 6/1

Looking for an energy saver that doesn't look like one? The Philips EnergySaver family provides energy efficient lighting options that don't just provide similar light as your standard incandescent light bulb, they also have the same classic shapes. Philips Energy Saver reflector flood compact fluorescents reduce operating costs without sacrificing light quality compared to incandescent equivalents. With dimmable and hard glass options, they are ideal for recessed and track lighting indoors and outdoors.

Product data

• General Information

Cap-Base	E26 [Single Contact Medium Screw]
Bulb Shape	PAR38 2 Pieces

• Light Technical

Luminous Flux (Nom)	70 lm
Color Designation	Blue (B)
Lumen Maintenance 2000 h (Nom)	85 %
Lumen Maintenance 5000 h (Nom)	75 %
Chromaticity Coordinate X (Nom)	142
Chromaticity Coordinate Y (Nom)	64
Luminous Efficacy (rated) (Nom)	3 lm/W

• Operating and Electrical

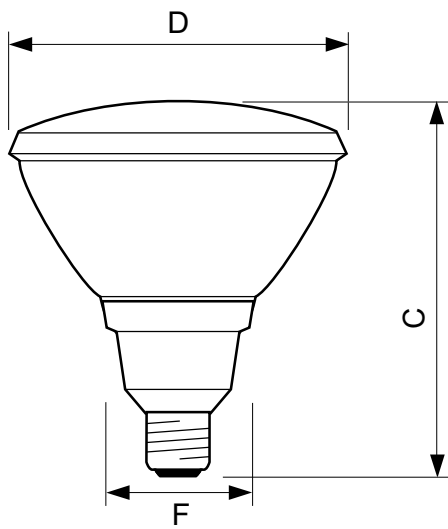
Input Frequency	50 or 60 Hz
Power (Rated) (Nom)	23 W
Lamp Current (Nom)	330 mA
Power Factor (Nom)	0.55
Voltage (Nom)	110-127 V

• Product Data

Order product name	EL/A PAR38 23W BLUE 6/1
EAN/UPC - Product	046677219970
Order code	929689941401
Numerator - Quantity Per Pack	1
Numerator - Packs per outer box	6
Material Nr. (12NC)	929689941401
Net Weight (Piece)	0.452 kg

PHILIPS

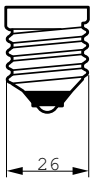
Dimensional drawing



E26/E27, 2PC

PAR38 Refl 23W Blue E26 110-127V 2P

Product	D	C	F
EL/A PAR38 23W BLUE 6/1	122 mm	137 mm	43.5 mm



© 2016 Philips Lighting Holding B.V.
All rights reserved.

Specifications are subject to change without notice. Trademarks are the property of Koninklijke Philips N.V. (Royal Philips) or their respective owners.

www.philips.com/lighting

2016, November 9
data subject to change