

# PHILIPS

## Lighting



# MR16/GU10/PAR16

## 8.5MRX16/F35 3000 DIM AF 10/1

Philips MR16 Dimmable LED Lamps provide ambient level light to illuminate hard to maintain applications. Increased transformer compatibility allows for operation on a wider range of transformers. Available in dimmable and non-dimmable versions, these lamps are ideal for track and open recessed fixtures in retail, hospitality and residential spaces.

### Product data

General Information	
Cap-Base	GU5.3 [ GU5.3]
Bulb Shape	MR16 [ 2inch/50mm]
Nominal Lifetime (Nom)	25000 h
Switching Cycle	50000X
Technical Type	8.5-50W

Light Technical	
Color Code	830 [ CCT of 3000K]
Beam Angle (Nom)	35 °
Light Distribution	Medium beam 35°
Luminous Flux (Nom)	660 lm
Luminous Flux (Rated) (Nom)	660 lm
Luminous Intensity (Nom)	1700 cd
Color Designation	White (WH)
Rated Beam Angle	35 °
Correlated Color Temperature (Nom)	3000 K
Luminous Efficacy (rated) (Nom)	78 lm/W
Color Consistency	<6
Color Rendering Index (Nom)	80
LLMF At End Of Nominal Lifetime (Nom)	70 %

Luminous Flux In 90° Cone (Rated)	621 lm
-----------------------------------	--------

Operating and Electrical	
Input Frequency	60 Hz
Power (Rated) (Nom)	8.5 W
Lamp Current (Nom)	900 mA
Wattage Equivalent	50 W
Starting Time (Nom)	0.5 s
Warm Up Time To 60% Light (Nom)	0.5 s
Power Factor (Nom)	0.7
Voltage (Nom)	12 V

Temperature	
T-Case Maximum (Nom)	105 °C

Controls and Dimming	
Dimmable	Yes

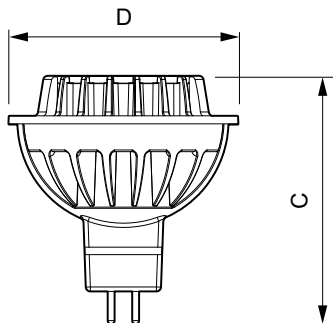
Approval and Application	
Suitable For Accent Lighting	Yes
Energy Efficiency Label (EEL)	Not applicable

## MR16/GU10/PAR16

Energy Consumption kWh/1000 h	9 kWh
<b>Product Data</b>	
Order product name	8.5MRX16/F35 3000 DIM AF 10/1
EAN/UPC - Product	046677457549
Order code	929001150204

Numerator - Quantity Per Pack	1
Numerator - Packs per outer box	10
Material Nr. (12NC)	929001150204
Net Weight (Piece)	0.045 kg

### Dimensional drawing



LED D 8-50W 830 MR16 36D

Product	D	C
8.5MRX16/F35 3000 DIM AF 10/1	51 mm	55 mm

