

### Features & Benefits

- No rewiring needed
- Works with fluorescent electronic ballast (Instant Start, Programmed Start, and Dimming)\*
- Long life
- High CRI
- Instant on, no delay
- Convenient and quick installation
- Utilizes existing instant start or rapid start sockets
- Compatible with controls and sensors
- Dimmable
- Works in cold temperature applications
- Glass tube for superior optical performance
- 5 Year Warranty



\* EMERGENCY BALLAST RESTRICTIONS



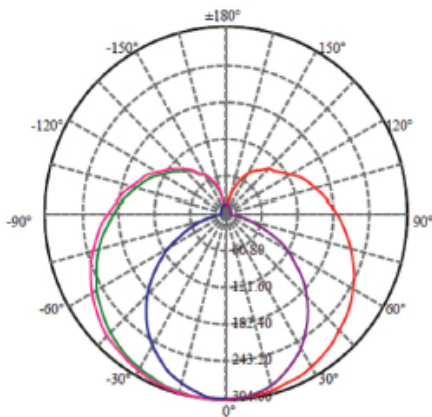
**RetroFlex™**  
LED T8 LAMP • Simplicity.  
Commercial Grade LED T8 Lamp

### Specification Data

Order Code	Length	Lamp wattage	System wattage	CCT	Initial Lumens	CRI	Beam Angle	Lamp Efficacy	System Efficacy	Life	DLC
L48T8/850/12G-EB 48	12	14	14	5000K	1800	83	325	135	125	50,000	Yes
L48T8/840/12G-EB 48	12	14	14	4000K	1800	83	325	135	125	50,000	Yes
L48T8/835/12G-EB 48	12	14	14	3500K	1800	83	325	135	125	50,000	Yes

### PRODUCT SPECIFICATIONS

#### Photometric Data



C195(Max) \_\_\_\_\_

C0 \_\_\_\_\_

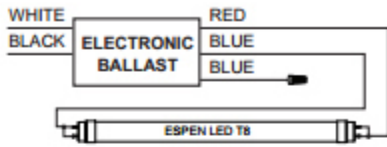
C180 \_\_\_\_\_

C90 \_\_\_\_\_

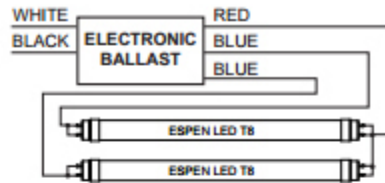
C270 \_\_\_\_\_

#### Wiring diagram

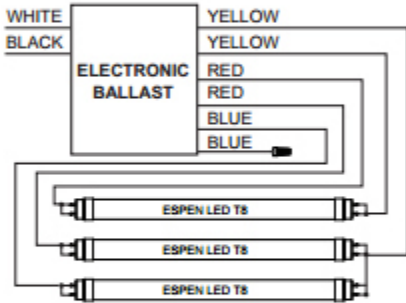
**1-LAMP Instant Start Electronic Ballast**



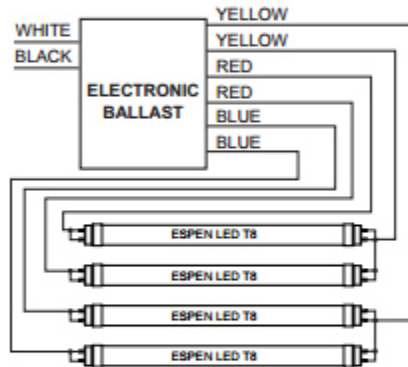
**2-LAMP Instant Start Electronic Ballast**



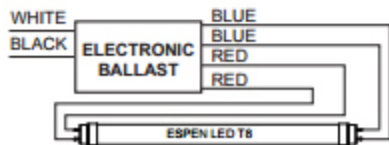
**3-LAMP Instant Start Electronic Ballast**



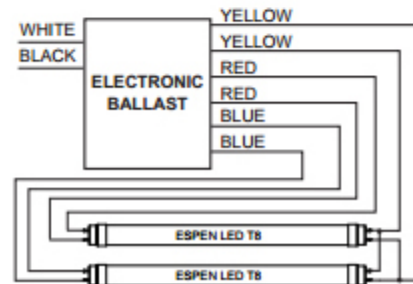
**4-LAMP Instant Start Electronic Ballast**



**1-LAMP Programmed Start Electronic Ballast**



**2-LAMP Programmed Start Electronic Ballast**



\* Not compatible with products equipped with battery backup and/or emergency ballasts.

\* Please refer to "Ballast Compatibility List" on Related Downloads.

Specification data is based on tests performed in a controlled environment and represents relative performance. Actual performance can vary depending on operating conditions. Application and performance data subject to change without notice. All specifications are nominal unless noted otherwise.