



Catalog Number: 127TB-RP
Item Description: 200A 7T RT OU
UPC Code: 784572102514

Brand Name: Milbank
Type: Ring Type Meter Socket
Application: Meter Socket
Standard: UL Listed
Voltage Rating: Up to 240 Volts Alternating Current
Amperage Rating: 200 Ampere Continuous
Phase: 3 Phase
Frequency Rating: 60 Hertz
Cable Entry: Overhead and Underground
Terminal: Single Mechanical Line Side and Single Mechanical Load Side Connector
Mounting: Surface Mount
Enclosure: Type 3R, G90 Galvanized Steel with Powder Coat Finish

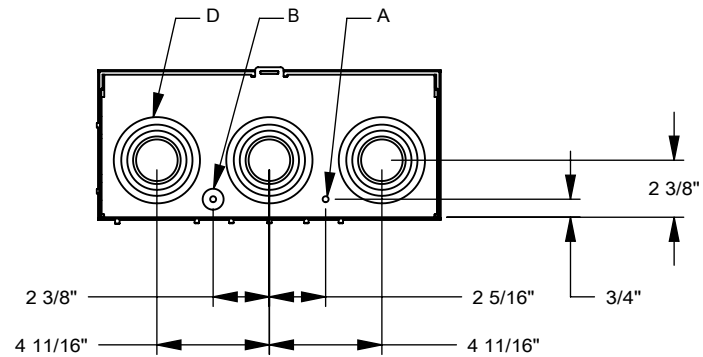
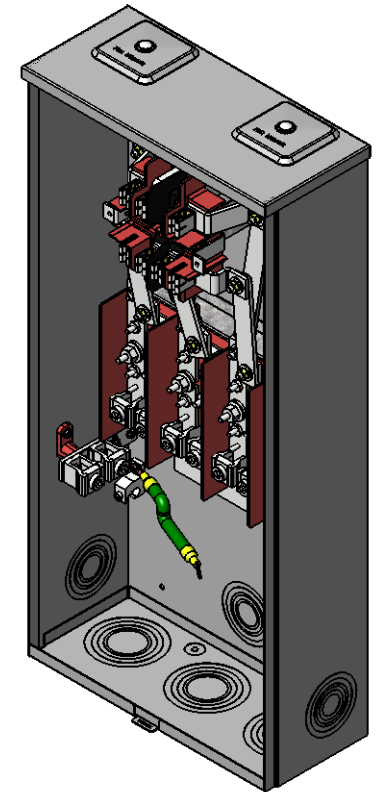
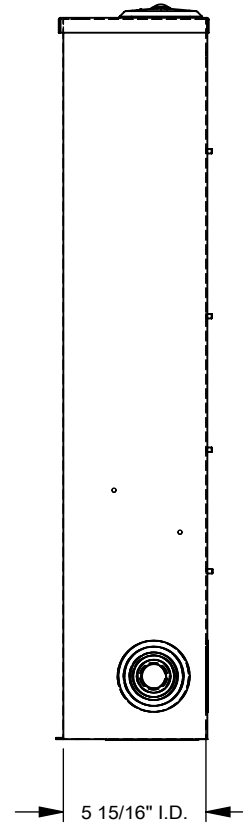
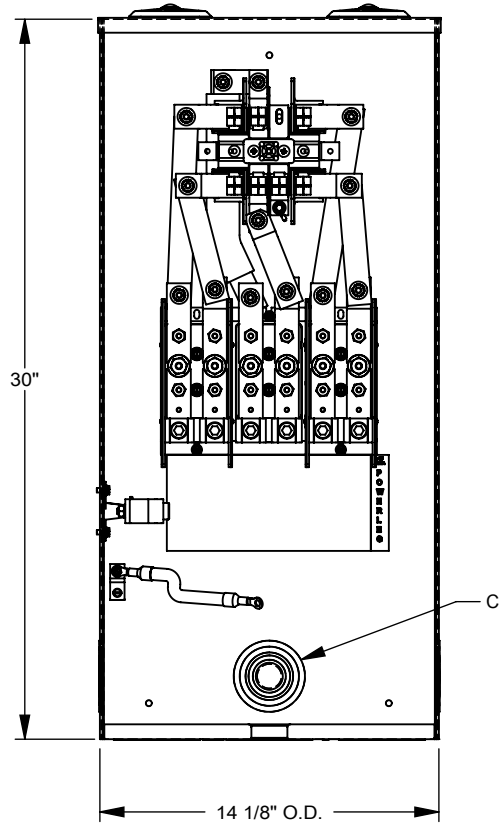


Additional Specifications:

- Line Side Wire Range:14 - 2/0 AWG
- Load Side Wire Range:14 - 2/0 AWG
- AIC or SCCR Rating: Please Contact Factory
- Maximum Amperage:200 Maximum Ampere
- Number of Jaws:7 Terminal
- Hub Opening and Closing Plates:Twin Small Closing Plates
- Bypass Provision:Link Bypass
- Number Positions:1 Position

Utility requirements may vary. Always consult the serving utility for their requirements prior to ordering or installing this equipment. This product must always be installed by a licensed electrician. Installation of this equipment may require local electrical inspector approval.

FEATURE TABLE		
ITEM	QTY	DESCRIPTION
A	1	¼ SOLID K.O.
B	1	¼, ½ CONC. K.O.
C	3	¾, 1, 1¼, 1½, 2, 2½ CONC. K.O.
D	3	1¼, 1½, 2, 2½, 3 CONC. K.O.



Version:

1

All dimensions are +/- 1/16".
Drawing views are not to scale.

Utility requirements for this equipment may vary. Always consult the serving utility for their requirements prior to ordering or installing this equipment. This product must be installed by a licensed electrician. Installation of this equipment may require local electrical inspector approval.