

## SPECIFICATION & FEATURES

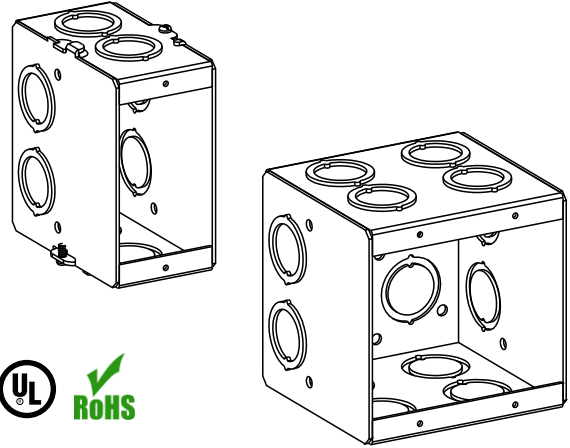
## MASONRY BOXES WITH CONCENTRIC KNOCKOUTS 3-1/2" DEEP

### DESCRIPTION:

Orbit Industries' 3-1/2" Deep Masonry Boxes With Concentric Knockouts (CKO) are used in the installation of electrical fittings and other devices in masonry walls. They are constructed from 16 gauge galvanized steel. Orbit's selection includes multigang boxes ranging from 1(gangable) to 6 gang boxes.

### CERTIFICATION:

UL file E227970, conforms to UL514A. acceptable for use in 2-hour fire rated walls.



### FEATURES

#### Knockout:

CKO: Concentric K.O. (1/2" and 3/4" K.O.)

### DIMENSIONS

Depth: 3-1/2"

Other Dimensions see below

### CONFIGURATION DATA

Catalog No.	No. of Gangs	Knockouts			WxH	Cu.In.	Std. Pkg.
		Ends	Bottom	Sides			
MBG-1	1,Gangable	(4)-CKO	(1)-CKO	(4)-CKO	1-7/8"x3-3/4"	23.5	25
MB-1	1	(4)-CKO	(1)-CKO	(4)-CKO	1-7/8"x3-3/4"	23.5	25
MB-2	2	(8)-CKO	(2)-CKO	(4)-CKO	3-3/4"x3-3/4"	46.9	10
MB-3	3	(12)-CKO	(3)-CKO	(4)-CKO	5-1/2"x3-3/4"	69.3	10
MB-4	4	(16)-CKO	(4)-CKO	(4)-CKO	7-3/8"x3-3/4"	92.1	10
MB-5	5	(20)-CKO	(5)-CKO	(4)-CKO	9-1/8"x3-3/4"	116.1	10
MB-6	6	(24)-CKO	(6)-CKO	(4)-CKO	11"x3-3/4"	139.0	1

